

## Awning Shapes

We have an extensive stock of staple extrusions, canvas rail, vinyl inserts and accessories as well as **Decorative Bahama Shutters, Canopies and Sunshades.**



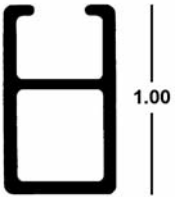




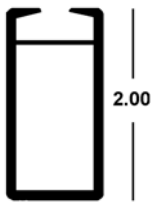
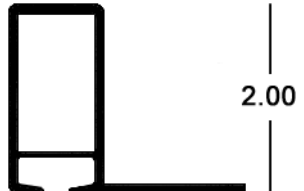
Don't forget we also carry **Square Tube** and a full line of **Sign Extrusions and Sheet Products.**

Call the EMS nearest you today for more information!



Proud Members:



<p><b>MP-1 1" x 1" x 24'</b> 60-00-200 Heavy Wall</p> 	<p><b>MP-1A 1" x 1" x 24'</b> 60-00-205 Medium Wall 59-63-002 (TX) Medium Wall</p> 	<p><b>EMA-1B 0.594" x 1" x 24'</b> 60-00-007 (TX)</p> 
<p><b>MP-1C 1" x 1" x 24'</b> 60-00-206 (NC/MO/DE) Light Wall 59-63-010 (TX) Light Wall</p> 	<p><b>MP-2 1" x 1" x 24'</b> MILL ORDER 60-00-210 1.5" Flange</p> 	<p><b>MP-2A 1" x 1" x 24'</b> 60-00-215 1" Flange 59-63-004 (TX) 1" Flange</p> 
<p><b>MP-2B 1" x 1" x 24'</b> 60-00-220 (NC/MO/AL) 1" Flange 59-63-005 (TX) 1" Flange</p> 	<p><b>MP-3 1" x 2" x 24'</b> 60-00-225 Standard Wall</p> 	<p><b>MP-3A 1" x 2" x 24'</b> 60-00-226 (DE) 1.5" Flange; Medium Wall</p> 

Awning 01



### EMS FL

1-800-432-2204  
(561) 588-4780 - fax

### EMS NC

1-800-343-8154  
(704) 391-2267 - fax

### EMS TX

1-800-996-6061  
(281) 656-2297 - fax

### EMS MO

1-888-822-6061  
(314) 344-3349 - fax

**Eastern Metal Supply**


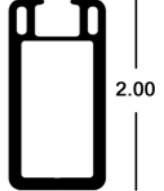
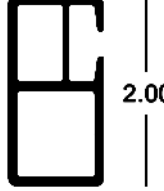
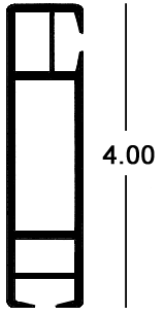
Quality Shapes In Aluminum



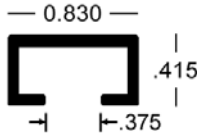
**Additional Locations:** West Palm Beach & Lakeland, FL; Newark, DE and Birmingham, AL

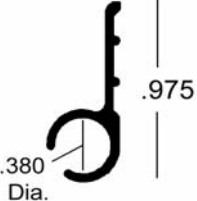
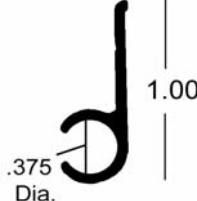
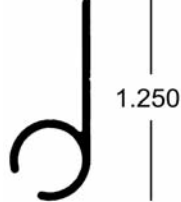

**website:** [www.EasternMetal.com](http://www.EasternMetal.com)


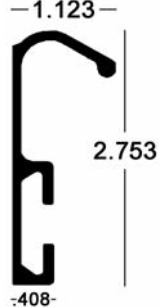
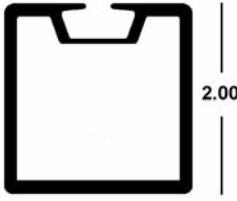
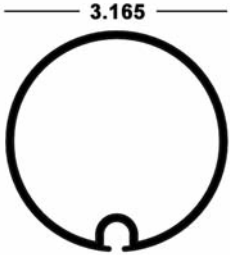
**e-mail:** [info@EasternMetal.com](mailto:info@EasternMetal.com)

**version:** 05/18/17

<p><b>MP-3Hvy 1" x 2" x 24'</b> 60-00-255 (MO) Heavy Wall</p> 	<p><b>EMA 3 1" x 2" x 24'</b> 60-00-023 (TX) Heavy Wall</p> 	<p><b>MP-3S 1" x 2" x 24'</b> 60-00-235 Standard Wall</p> 	<p><b>MP-4 1" x 4" Staple Groove Tube x 24'</b> 60-00-240 59-63-009 (TX)</p> 
---	---	--	--

<p><b>MP-5 1" x 1" x 24'</b> 60-00-260 (NC) 1" Flange</p> 	<p><b>MI-56 1" x 1" x 24'</b> 40-63-010 (NC/TX/MO/DE/AL) 3/4" Flange</p> 	<p><b>Slide Track Channel x 14'</b> <u>25-BD-475</u> Bright Dipped Anodized</p> 
--	--	---

<p><b>Old Style Canvas Rail x 24'</b> EMA-4 40-63-000</p> 	<p><b>New Style Canvas Rail</b> EMA-5 40-63-001 x 24' (FL/MO) 40-63-001 x 20' (NC/TX)</p> 	<p><b>Awning Track x 16'</b> 25-BD-470 Bright Dipped Anodized</p> 	<p><b>.935" Canvas Rail</b> MILL ORDER <u>40-63-6488</u></p> 
---	---	--	--

<p><b>Combo Rail</b> 1" x .067 x 24' 40-63-004 (NC/TX/MO/AL) <i>Square Tube with Awning support.</i></p> 	<p><b>2-1/2" J-Rail x 24'</b> 90-63-135 (NC/MO/DE/OH)</p> 	<p><b>2" Staple Tube x 24'</b> <u>60-00-221</u> Heavy Wall</p> 	<p><b>3.165" OD Roller Tube x 24'</b> <u>52-61-51271</u></p> 
--	---	---	--

Awning 02



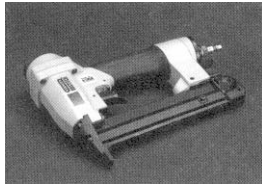
<b>EMS FL</b> 1-800-432-2204 (561) 588-4780 - fax	<b>EMS NC</b> 1-800-343-8154 (704) 391-2267 - fax	<b>EMS TX</b> 1-800-996-6061 (281) 656-2297 - fax	<b>EMS MO</b> 1-888-822-6061 (314) 344-3349 - fax
---	---	---	---

**Eastern Metal Supply**  
Quality Shapes In Aluminum

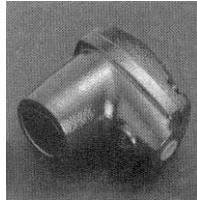
Additional Locations: West Palm Beach & Lakeland, FL; Newark, DE; Birmingham, AL and Akron, OH

website: [www.EasternMetal.com](http://www.EasternMetal.com) e-mail: [info@EasternMetal.com](mailto:info@EasternMetal.com) version: 02/06/18

**MI-11 Staple Gun**  
SPECIAL ORDER  
52-00-080

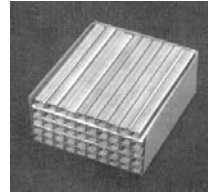


**MI-12 Air Hammer**  
SPECIAL ORDER

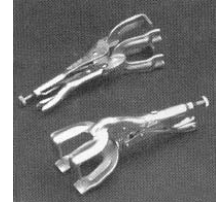


**MI-9G Galvanized Staples**

60-00-301 (NC/TX/DE)  
5000 staples/box  
MI-9G10 (NC/TX)  
10,000 staples/box



**MI-16A Tensioning Clamps**  
SPECIAL ORDER



**MI-6 "Z" Clips**  
60-00-320 100 pcs/Box



**Galvanized MZ Clips**  
60-00-321 100 pcs/Box



**1" SLIP COLLAR WITH THUMB SCREW**

Accepts 1" Serrated Tube for Telescoping Arms  
7000 (FL/TX) Mill Finish x 9/16"  
7000WH White x 9/16"  
7000BK Black x 9/16"  
7000MB Bronze x 9/16"  
MILL ORDER 52-63-2484 MF x 20'  
52-00-139 (TX) Mill Finish x 9/16" (No Thumbscrew)  
41014 (TX) 1/4-20 x 3/4 Thumbscrew (mates with 52-00-139)  
41021 (TX) 1/4-20 x 1 Thumbscrew (mates with 52-00-139)



**CAMEL BACK CLIP WITH PIN**

7001 Mill Finish  
7001WH White  
7001BK Black  
7001MB Bronze  
41010 (TX) Camel Back Clip (no pin)  
41012 (TX) Camel Back Pin



**TELESCOPING SERRATED TUBE x 20'**

Mill Finish  
52-63-537 .875" 26 pcs  
51-63-381 1.000" 32 pcs



**HV™ Bahama Telescoping Arm Kit**

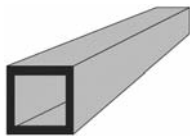
Kit includes 2 Tubes, Slip Collar, Camel Back, Cap and U-Clip.  
(Approximate Max Extended Length shown in parenthesis)

Code	Arm Size (Extended)	Finish	Code	Arm Size (Extended)	Finish
7002K	12"	(23") MF	7017K	30"	(59") MF
7002KWH	12"	(23") White	7017KWH	30"	(59") White
7002KBK	12"	(23") Black	7017KBK	30"	(59") Black
7002KMB	12"	(23") Bronze	7017KMB	30"	(59") Bronze
7003K (FL/TX)	18"	(35") MF	7018K	36"	(71") MF
7003KWH	18"	(35") White	7018KWH	36"	(71") White
7003KBK	18"	(35") Black	7018KBK	36"	(71") Black
7003KMB	18"	(35") Bronze	7018KMB	36"	(71") Bronze
7004K (FL/TX)	24"	(47") MF			
7004KWH	24"	(47") White			
7004KBK (FL/TX)	24"	(47") Black			
7004KMB	24"	(47") Bronze			



**Square Tube x 24'**

19-63-130 1 x .062  
19-63-131 1 x .065 (with radius)  
19-63-136 (NC/MO) 1 x .075 (with radius)  
19-63-341 1 x .093  
19-63-345 1 x .093 (with radius)  
19-63-140 1 x .125  
19-63-141 1 x .125 (with radius)



(additional sizes also available see Standards p15)

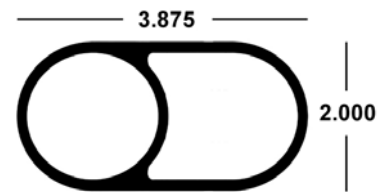
**Vinyl Inserts - 14lb/box - 350' Rolls**  
34-COLOR-001

Colors available:  
Beige, Black, Brown, Burgundy, Clear,  
Dark Blue, Dark Green, Gray, Ivory, Light  
Green, Mid-Blue, Navy Blue, Orange,  
Pink, Red, Rose, Royal Blue, Sunflower,  
Teal, Terra Cotta, Turquoise, White, Yellow



**Double Hollow Tent Frame Tubing**

MILL ORDER 20-14-02



Awning 03



**EMS FL**  
1-800-432-2204  
(561) 588-4780 - fax

**EMS NC**  
1-800-343-8154  
(704) 391-2267 - fax

**EMS TX**  
1-800-996-6061  
(281) 656-2297 - fax

**EMS MO**  
1-888-822-6061  
(314) 344-3349 - fax

**Eastern Metal Supply**

Additional Locations: West Palm Beach & Lakeland, FL; Newark, DE and Birmingham, AL

Quality Shapes In Aluminum

website: [www.EasternMetal.com](http://www.EasternMetal.com)

e-mail: [info@EasternMetal.com](mailto:info@EasternMetal.com)

version: 04/24/17