

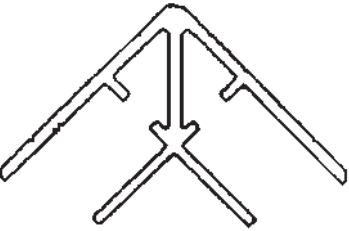
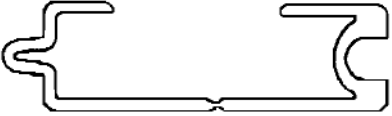
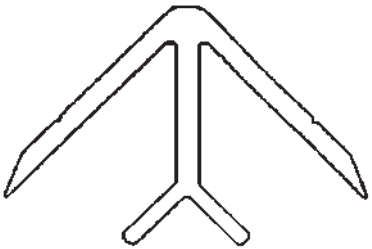



Eastern Metal Supply

Quality Shapes In Aluminum

Case Shape Extrusions

For manufacturing: • Gun Cases • Electronics Cases •
• Musical Instrument Cases • And much More!

<p>1/4" Lg Corner Mill Order</p> 	<p>1/4" Tongue and Groove Self Mating Mill Order</p> 
<p>3/8" Corner Mill Order</p> 	<p>3/8" Tongue and Groove Self Mating Mill Order</p> 
<p>1/2" Lg Corner Mill Order</p> 	<p>1/2" Tongue and Groove Self Mating Mill Order</p> 

Custom Aluminum Extrusions Built to Your Specifications



Eastern Metal Supply
Quality Shapes In Aluminum

EMS FL

1-800-432-2204
(561) 588-4780 - fax

EMS NC

1-800-343-8154
(704) 391-2267 - fax

EMS TX

1-800-996-6061
(281) 656-2297 - fax

EMS MO

1-888-822-6061
(314) 344-3349 - fax

Additional Locations: West Palm Beach & Lakeland, FL and Newark, DE

website: www.easternmetal.com

e-mail: info@easternmetal.com

Case 03/23/06