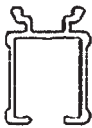


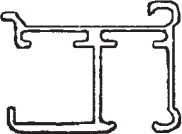
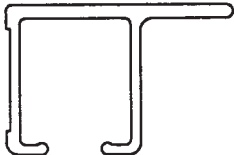
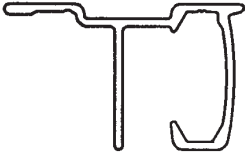


CURTAIN TRACK

<p>CT-1 Anodized Mill Order (22-63-333 x 12' - MO) (88-00-062 x 14' - MO) (88-00-010 x 16' - MO)</p> 	<p>CT-2 Anodized Mill Order (88-00-489 x 12' - MO) (88-00-490 x 14' - MO) (88-00-076 x 16' - MO) (22-63-273 x 18' - MO)</p> 
<p>CT-3 Mill Order</p> 	<p>CT-4 Mill Order</p> 
<p>CT-5 Anodized Mill Order (22-63-401 x 12' - NC) (88-00-125 x 16' - NC) (22-63-449 x 20' - NC)</p> 	<p>CT-9809 Mill Order</p> 

Window Treatment 02



EMS FL
1-800-432-2204

(561) 588-4780 - fax

EMS NC
1-800-343-8154

(704) 391-2267 - fax

EMS TX
1-800-996-6061

(281) 656-2297 - fax

EMS MO
1-888-822-6061

(314) 344-3349 - fax

Additional Locations: West Palm Beach & Lakeland, FL and Newark, DE

Eastern Metal Supply
Quality Shapes In Aluminum

website: www.easternmetal.com

e-mail: info@easternmetal.com

version: 12/03/10