

Eastern Metal Supply

Decorative Bahama Shutters



Decorative Bahamas

- HV™ Low Profile
- Available in a variety of standard colors, widths and heights

Features & Benefits

Standard Items

- The quickest and most efficient assembly for manufacturing
- Decorative, architectural, provides sun control and energy efficiency
- Increase the LEED rating of your green project
- Top hinge • Telescoping arms & brackets

Optional Items

- High quality powder coated paint finish
- Low Profile frames available with variety of louvers/blades
- Louver styles: 1", 1.25", 2" or Z-blade (decorative/shade only)
- Heavy duty frames for impact resistance
- Welded frames & customized mullion configurations
- Tie downs & locking rods
- Samples Available for purchase
LP2BAH-SAMPLE 12" x 24" 2" Blade
LPZBAH-SAMPLE 12" x 24" Z-Blade
LP1BAH-SAMPLE 12" x 24" 1-1/4" Blade

Rated Bahamas

- High Visibility: FBC (non-HVHZ), TDI, IBC/IRC
- Bertha™ Impact: FBC (HVHZ and non-HVHZ)



Eastern Metal Supply www.easternmetal.com • info@easternmetal.com

FL: 800-432-2204 • NC: 800-343-8154 • TX: 800-996-6061 • MO: 888-822-6061 v03/17

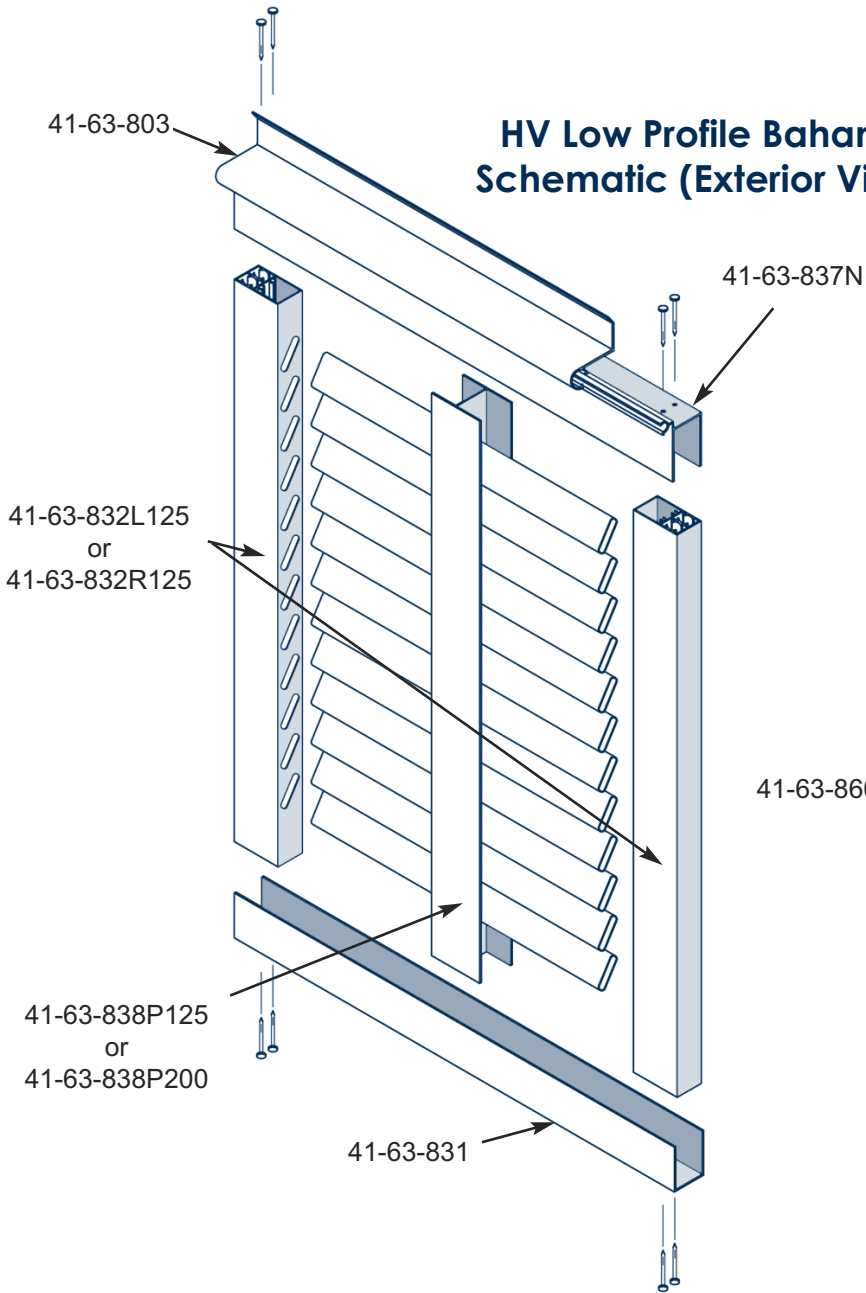
Eastern Metal Supply

Decorative Bahama Shutters

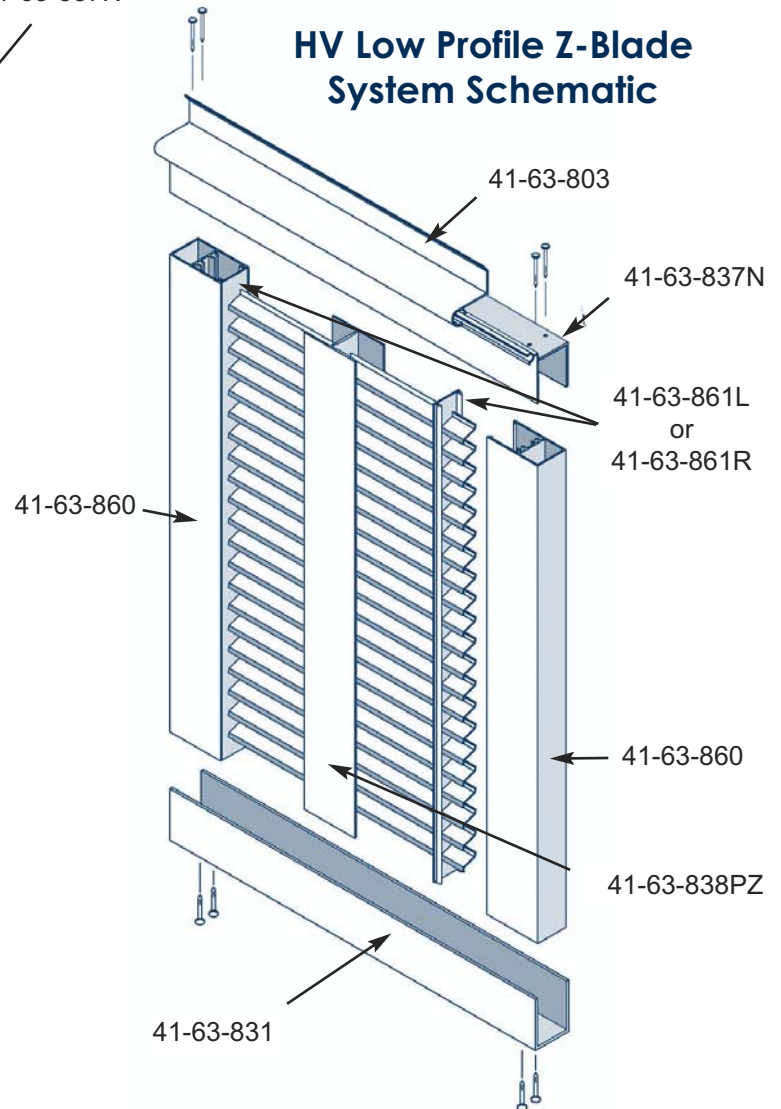
Decorative Engineering available upon request. All rivets & screws are commercially available.

Note: For applications requiring code rated hurricane protection refer to EMS High Visibility Bahama/Colonial product.

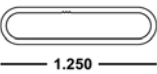
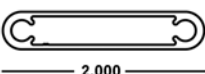
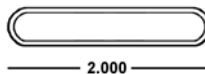
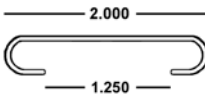
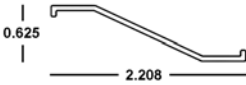
HV Low Profile Bahama Schematic (Exterior View)



HV Low Profile Z-Blade System Schematic



HV Low Profile Bahama Blade Options

<p>1-1/4" HV Low Profile Blade x 12' 41-63-834 Mill Finish</p>  <p>1.250</p>	<p>2" HV Low Profile Blade x 16' (#14 screw) 80-MF-013 Mill Finish</p>  <p>2.000</p>	<p>2" HV Low Profile Blade x 16' (Non-Impact) 41-63-830 Mill Finish</p>  <p>2.000</p>	<p>2" HV Low Profile Blade x 16' (Non-Impact) 41-63-835 Mill Finish</p>  <p>2.000 1.250</p>	<p>HV Low Profile Z-Blade x 12' 2" 52-63-060 Mill Finish</p>  <p>0.625 2.208</p>
---	---	--	--	---



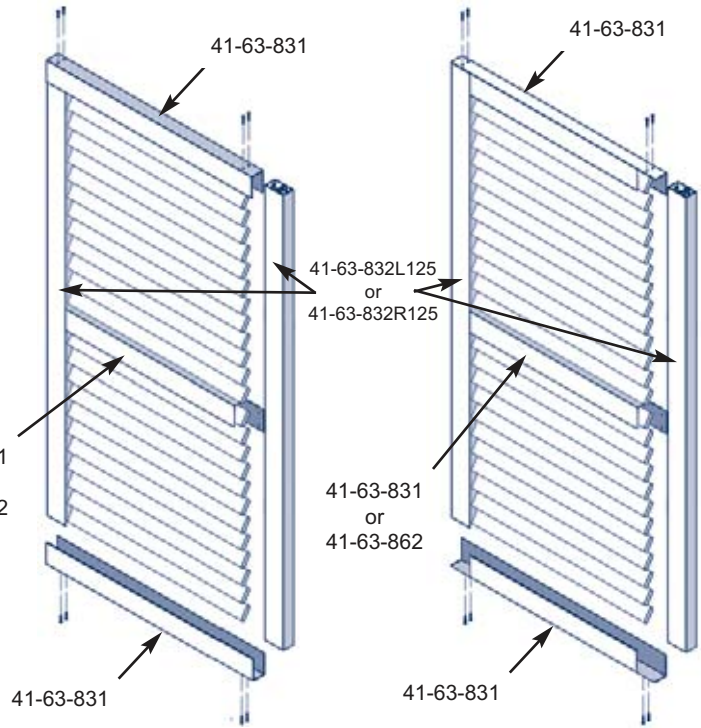
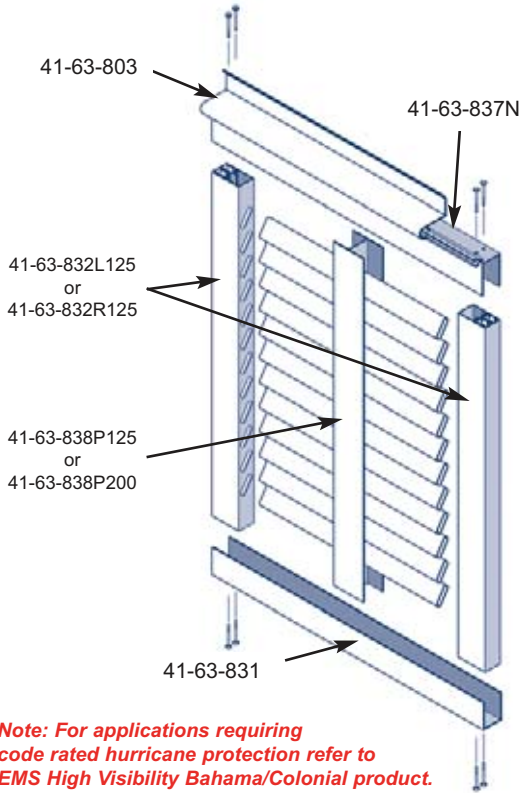
Eastern Metal Supply www.easternmetal.com • info@easternmetal.com

FL: 800-432-2204 • NC: 800-343-8154 • TX: 800-996-6061 • MO: 888-822-6061 v03/17

HV LOW PROFILE DECORATIVE BAHAMA/COLONIAL SYSTEMS*

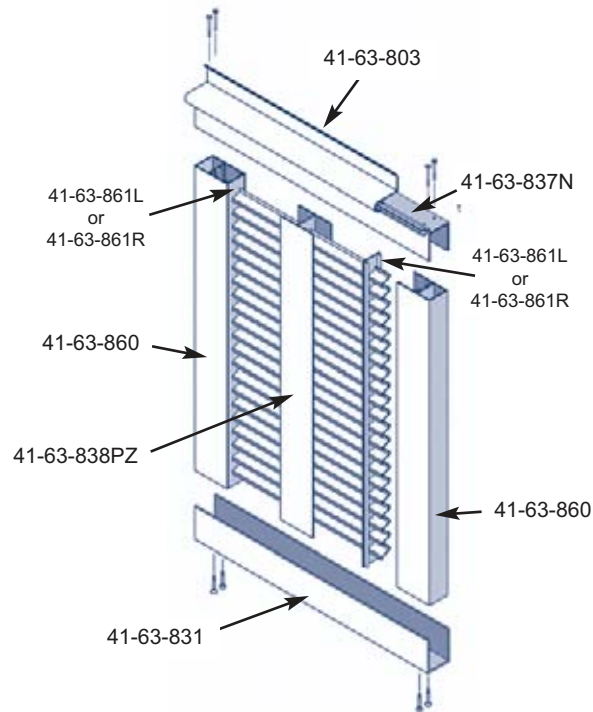
*Currently available for decorative applications; Future code testing pending

HV Low Profile Bahama Schematic (Exterior View)



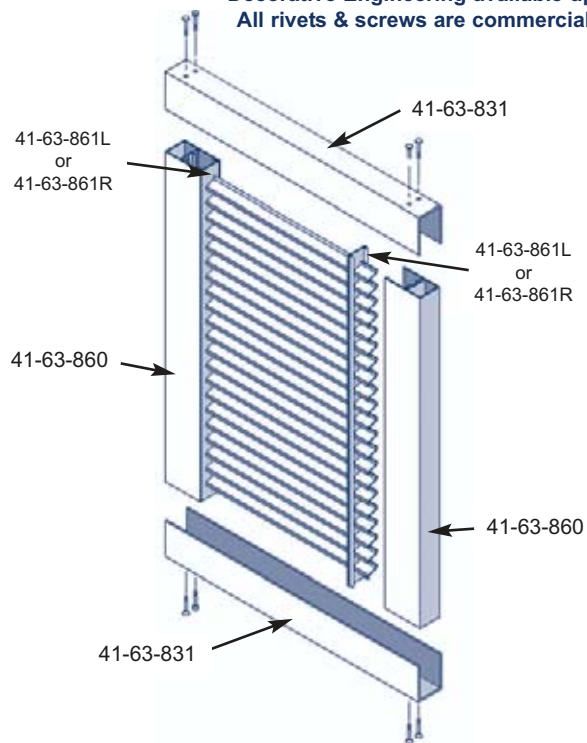
HV Low Profile Colonial Schematics (Exterior Views)

HV Low Profile Z-Blade System Schematic



Decorative Bahama Application (Exterior View)

Decorative Engineering available upon request.
All rivets & screws are commercially available.



Decorative Colonial Application (Exterior View)

Hurricane 48



Eastern Metal Supply
Quality Shapes In Aluminum

EMS FL
1-800-432-2204

(561) 588-4780 - fax

EMS NC
1-800-343-8154

(704) 391-2267 - fax

EMS TX
1-800-996-6061

(281) 656-2297 - fax

EMS MO
1-888-822-6061

(314) 344-3349 - fax

Additional Locations: West Palm Beach & Lakeland, FL; Newark, DE and Birmingham, AL

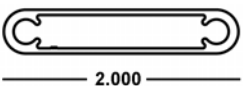
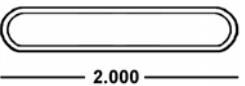
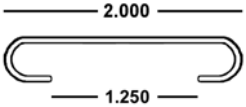
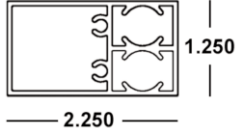
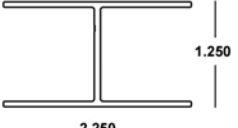
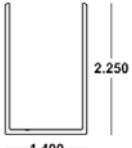
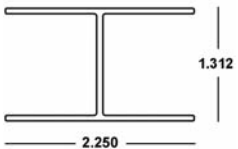
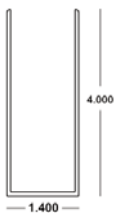

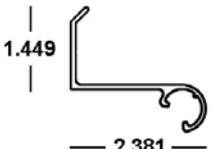
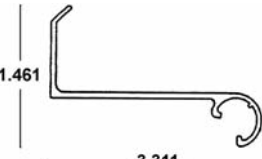
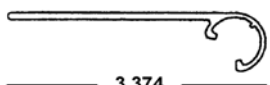
website: www.EasternMetal.com

e-mail: info@EasternMetal.com

version: 05/16/14

2" LOW PROFILE DECORATIVE BAHAMA/COLONIAL SYSTEM*

*Currently available for decorative applications; Future code testing pending

<p>2" Bahama/Colonial Hollow Blade x 16' Uses #14 screw 80-MF-013 Mill Finish</p>  <p style="text-align: center;">2.000</p>	<p>2" Bahama Decorative Blade x 16' (Non-Impact) 41-63-830 Mill Finish</p>  <p style="text-align: center;">2.000</p>	<p>2" Colonial Decorative Blade x 16' (Non-Impact) 41-63-835 Mill Finish</p>  <p style="text-align: center;">2.000 1.250</p>	<p>Low Profile Side Frame x 20' 3" Mill Finish 41-63-832 UNPUNCHED 41-63-832L200 PUNCHED Left* 41-63-832R200 PUNCHED Right*</p> <p>*Punched for 2" Blades</p>  <p style="text-align: center;">2.250 1.250</p>
<p>Low Profile Bahama Vertical Center Mullion x 20' 3" Mill Finish 41-63-838 UNPUNCHED 41-63-838P200 PUNCHED*</p> <p>*Punched for 2" Blades</p>  <p style="text-align: center;">2.250 1.250</p>	<p>Low Profile Horizontal Frame x 21' 41-63-831 Mill Finish</p> <p>Can be used as Bottom Frame & Center Mullion; Colonial Top Frame</p>  <p style="text-align: center;">1.400 2.250</p>	<p>Low Profile Colonial Horizontal Rail x 16' 2" 41-63-862 Mill Finish <i>Horizontal Rail for Colonials</i></p>  <p style="text-align: center;">2.250 1.312</p>	<p>Alternate New Orleans Style 4" Bottom Rail x 21' Colonial Applications MILL ORDER 41-63-863</p>  <p style="text-align: center;">1.400 4.000</p>
<p>LOW PROFILE MALE BAHAMA FRAME HINGE 41-63-837N x 20' Mill Finish</p>  <p style="text-align: center;">2.250 1.400</p>	<p>BAHAMA FEMALE HINGE x 20' 41-63-803 Mill Finish 6 pcs</p>  <p style="text-align: center;">1.449 2.381</p>	<p>1" BUILD-OUT BAHAMA FEMALE HINGE x 20' 41-63-804 Mill Finish 6 pcs</p>  <p style="text-align: center;">1.461 3.311</p>	<p>BAHAMA FEMALE FLAT HINGE x 20' 41-63-805 Mill Finish 6 pcs</p>  <p style="text-align: center;">3.374</p>

2" Low Profile Bahama Colonial coverage chart

Additional heights available upon request. Blades continue inside top & bottom channel.

For Hinges & Components see Hurricane p 55

visible blades	total blades	finished height"	visible blades	total blades	finished height"	visible blades	total blades	finished height"
4	6	11-3/4	21	23	42-1/2	38	40	73-1/4
5	7	13-9/16	22	24	44-5/16	39	41	75-1/16
6	8	15-3/8	23	25	46-1/8	40	42	76-7/8
7	9	17-3/16	24	26	47-15/16	41	43	78-11/16
8	10	19	25	27	49-3/4	42	44	80-1/2
9	11	20-13/16	26	28	51-9/16	43	45	82-5/16
10	12	22-5/8	27	29	53-3/8	44	46	84-1/8
11	13	24-7/16	28	30	55-3/16	45	47	85-15/16
12	14	26-1/4	29	31	57	46	48	87-3/4
13	15	28	30	32	58-13/16	47	49	89-9/16
14	16	29-13/16	31	33	60-5/8	48	50	91-3/8
15	17	31-5/8	32	34	62-7/16	49	51	93-3/16
16	18	33-7/16	33	35	64-1/4	50	52	95
17	19	35-1/4	34	36	66-1/16	51	53	96-13/16
18	20	37-1/16	35	37	67-7/8	52	54	98-5/8
19	21	38-7/8	36	38	69-11/16			
20	22	40-11/16	37	39	71-1/2			

Hurricane 49



EMS FL
1-800-432-2204
(561) 588-4780 - fax

EMS NC
1-800-343-8154
(704) 391-2267 - fax

EMS TX
1-800-996-6061
(281) 656-2297 - fax

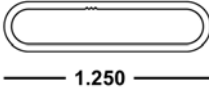
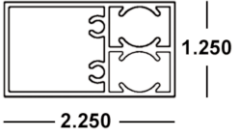
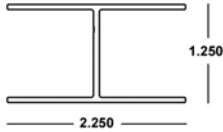
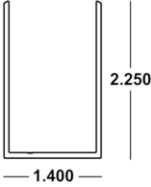

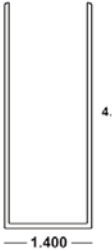
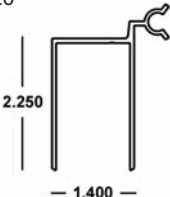
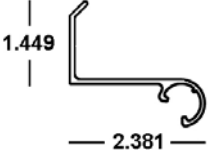
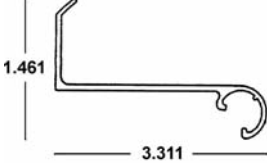
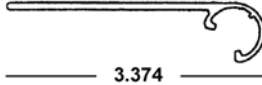
EMS MO
1-888-822-6061
(314) 344-3349 - fax

Eastern Metal Supply
Quality Shapes In Aluminum

Add'l Locations: West Palm Beach & Lakeland, FL; Newark, DE; Birmingham, AL; Akron, OH; Van Buren, AR
website: www.EasternMetal.com **e-mail:** info@EasternMetal.com **version:** 08/06/18

1-1/4" HV LOW PROFILE DECORATIVE BAHAMA/COLONIAL SYSTEM*

*Currently available for decorative applications; Future code testing pending

<p>1-1/4" HV LOW PROFILE BLADE x 2' 41-63-834 Mill Finish</p>  <p>1.250</p>	<p>HV LOW PROFILE SIDE FRAME x 20' 3" Mill Finish 41-63-832 UNPUNCHED 41-63-832L125 PUNCHED Left* 41-63-832R125 PUNCHED Right*</p> <p>*Punched for 1-1/4" Blades</p>  <p>2.250 1.250</p>	<p>HV LOW PROFILE BAHAMA VERTICAL CENTER MULLION x 20' 3" Mill Finish 41-63-838 UNPUNCHED 41-63-838P125 PUNCHED*</p> <p>*Punched for 1-1/4" Blades</p>  <p>2.250 1.250</p>	
<p>HV LOW PROFILE HORIZONTAL FRAME X 21' 41-63-831 Mill Finish</p> <p>Can be used as Bottom Frame & Center Mullion; Colonial Top Frame</p>  <p>2.250 1.400</p>	<p>HV LOW PROFILE COLONIAL HORIZONTAL RAIL x 16' 2" 41-63-862 Mill Finish <i>Horizontal Rail for Colonials</i></p>  <p>1.312 2.250</p>	<p>Alternate New Orleans Style 4" Bottom Rail Colonial Applications MILL ORDER 41-63-863</p>  <p>4.000 1.400</p>	<p>HV LOW PROFILE MALE BAHAMA HINGE 41-63-837N x 20' Mill Finish</p>  <p>2.250 1.400</p>
<p>BAHAMA FEMALE HINGE x 20' 41-63-803 Mill Finish 6 pcs</p>  <p>1.449 2.381</p>	<p>1" BUILD-OUT BAHAMA FEMALE HINGE x 20' 41-63-804 Mill Finish 6 pcs</p>  <p>1.461 3.311</p>	<p>BAHAMA FEMALE FLAT HINGE x 20' 41-63-805 Mill Finish 6 pcs</p>  <p>3.374</p>	

1-1/4" Low Profile Bahama Colonial coverage chart

Additional heights available upon request. Blades continue inside top & bottom channel.

For Hinges & Components see Hurricane p 55

visible blades	total blades	finished height"	visible blades	total blades	finished height"	visible blades	total blades	finished height"
18	22	20-3/8	34	38	34-1/2	50	54	48-5/8
19	23	21-1/4	35	39	35-3/8	51	55	49-1/2
20	24	22-1/8	36	40	36-1/4	52	56	50-3/8
21	25	23	37	41	37-1/8	53	57	51-1/4
22	26	23-7/8	38	42	38	54	58	52-1/8
23	27	24-13/16	39	43	38-7/8	55	59	53
24	28	25-11/16	40	44	39-3/4	56	60	53-7/8
25	29	26-9/16	41	45	40-11/16	57	61	54-3/4
26	30	27-7/16	42	46	41-9/16	58	62	55-5/8
27	31	28-5/16	43	47	42-7/16	59	63	56-9/16
28	32	29-3/16	44	48	43-5/16	60	64	57-7/16
29	33	30-1/16	45	49	44-3/16	61	65	58-5/16
30	34	30-15/16	46	50	45-1/16	62	66	59-3/16
31	35	31-13/16	47	51	45-15/16	63	67	60-1/16
32	36	32-3/4	48	52	46-13/16			
33	37	33-5/8	49	53	47-11/16			

Hurricane 50



EMS FL
1-800-432-2204

EMS NC
1-800-343-8154

EMS TX
1-800-996-6061

EMS MO
1-888-822-6061

(561) 588-4780 - fax

(704) 391-2267 - fax

(281) 656-2297 - fax

(314) 344-3349 - fax

Eastern Metal Supply

Add'l Locations: West Palm Beach & Lakeland, FL; Newark, DE; Birmingham, AL; Akron, OH; Van Buren, AR

Quality Shapes In Aluminum

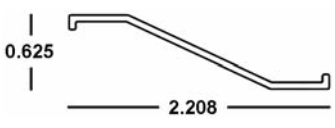
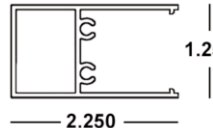

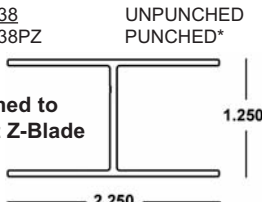
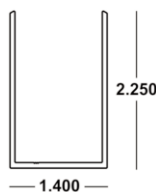

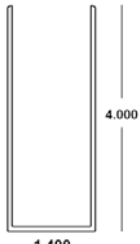
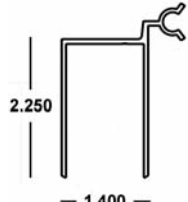

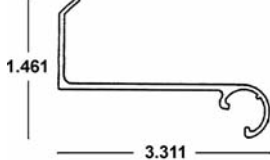
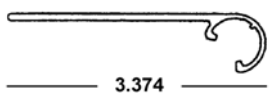
website: www.EasternMetal.com

e-mail: info@EasternMetal.com

version: 08/06/18

HV LOW PROFILE DECORATIVE BAHAMA/COLONIAL Z-BLADE SYSTEM*

*Currently available for decorative applications; Future code testing pending

<p>HV LOW PROFILE Z-BLADE x 12' 2" 52-63-060 Mill Finish for Z-Blade System</p> 	<p>HV LOW PROFILE VERTICAL FRAME WITH SNAP x 16' 2" Mill Finish 41-63-860 Mates with 41-63-861R/L for Z-Blade System</p> 	<p>HV LOW PROFILE Z - SNAP PLATE x 16' 2" Mill Finish 41-63-861R 41-63-861L Mates with 41-63-860 PUNCHED* Right PUNCHED* Left</p> <p>*Punched to accept Z-Blade</p> 	
<p>HV LOW PROFILE BAHAMA VERTICAL CENTER MULLION x 20' 3" Mill Finish 41-63-838 41-63-838PZ UNPUNCHED PUNCHED*</p> <p>*Punched to accept Z-Blade</p> 	<p>HV LOW PROFILE HORIZONTAL FRAME X 21' 41-63-831 Mill Finish</p> <p>Can be used as Bottom Frame & Center Mullion; Colonial Top Frame</p> 	<p>HV LOW PROFILE COLONIAL HORIZONTAL RAIL x 16' 2" 41-63-862 Mill Finish Horizontal Rail for Colonials</p> 	<p>Alternate New Orleans Style 4" Bottom Rail Colonial Applications MILL ORDER 41-63-863</p> 
<p>HV LOW PROFILE MALE BAHAMA HINGE x 20' 41-63-837N Mill Finish</p> 	<p>BAHAMA FEMALE HINGE x 20' 41-63-803 Mill Finish 6 pcs</p> 	<p>1" BUILD-OUT BAHAMA FEMALE HINGE x 20' 41-63-804 Mill Finish 6 pcs</p> 	<p>BAHAMA FEMALE FLAT HINGE x 20' 41-63-805 Mill Finish 6 pcs</p> 

Low Profile Bahama Colonial Z-BLADE coverage chart

Additional heights available upon request. Blades continue inside top & bottom channel.

For Hinges & Components see Hurricane p 55

visible blades	total blades	finished height"	visible blades	total blades	finished height"	visible blades	total blades	finished height"
11	13	27-7/16	30	32	67	49	51	106-5/8
12	14	29-1/2	31	33	69-1/16	50	52	108-5/8
13	15	31-9/16	32	34	71-1/8	51	53	110-3/4
14	16	33-11/16	33	35	73-1/4	52	54	112-7/8
15	17	35-3/4	34	36	75-5/16	53	55	114-7/8
16	18	37-3/16	35	37	77-3/8	54	56	117
17	19	39-15/16	36	38	79-1/2	55	57	119-1/8
18	20	42	37	39	81-9/16	56	58	121-1/8
19	21	44-1/16	38	40	83-5/8	57	59	123-1/4
20	22	46-3/16	39	41	85-3/4	58	60	125-3/8
21	23	48-1/4	40	42	87-13/16	59	61	127-3/8
22	24	50-5/16	41	43	89-7/8	60	62	129-1/2
23	25	52-7/16	42	44	92	61	63	131-5/8
24	26	54-1/2	43	45	94-5/8	62	64	133-5/8
25	27	56-9/16	44	46	96-1/8	63	65	135-3/4
26	28	58-11/16	45	47	98-1/4	64	66	137-3/4
27	29	60-3/4	46	48	100-5/16	65	67	139-7/8
28	30	62-3/16	47	49	102-3/8	66	68	142
29	31	64-15/16	48	50	104-1/2	67	69	144

Hurricane 51



EMS FL
1-800-432-2204
(561) 588-4780 - fax

EMS NC
1-800-343-8154
(704) 391-2267 - fax

EMS TX
1-800-996-6061
(281) 656-2297 - fax

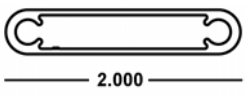
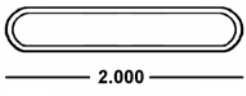
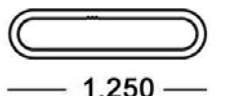
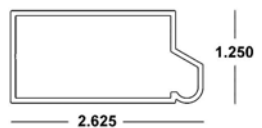
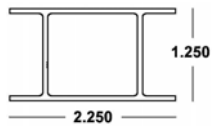
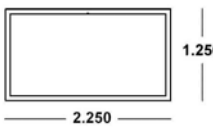
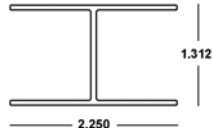
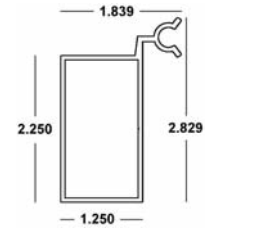
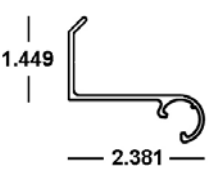
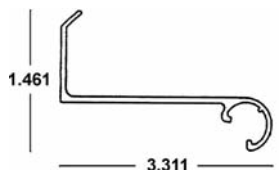
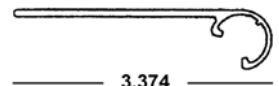
EMS MO
1-888-822-6061
(314) 344-3349 - fax

Eastern Metal Supply
Quality Shapes In Aluminum

Add'l Locations: West Palm Beach & Lakeland, FL; Newark, DE; Birmingham, AL; Akron, OH; Van Buren, AR
website: www.EasternMetal.com e-mail: info@EasternMetal.com version: 08/06/18

HV LOW PROFILE DECORATIVE BAHAMA/COLONIAL WELDED SYSTEM*

*Currently available for decorative applications; Future code testing pending

<p>2" Bahama/Colonial Hollow Blade x 16' Uses #14 screw Mill Finish 80-MF-013</p>  <p>2.000</p>	<p>2" Bahama Decorative Blade x 16' Non-Impact Mill Finish 41-63-830</p>  <p>2.000</p>	<p>1.25 HV Low Profile Blade x 12' 41-63-834 Mill Finish <i>*Special Mill Order Frame Required - Call your Sales Representative for Coverage Chart</i></p>  <p>1.250</p>	
<p>Self Mating Colonial Inside Frame x 20' 3" Welded System 41-63-880 UNPUNCHED 41-63-880R PUNCHED Right 41-63-880L PUNCHED Left</p>  <p>2.625</p>	<p>Center Mullion x 12' Welded System 41-63-888 UNPUNCHED 41-63-888P PUNCHED</p>  <p>2.250</p>	<p>Side & Bottom Frame x 20' Welded System 41-63-883 UNPUNCHED 41-63-883R PUNCHED Right 41-63-883L PUNCHED Left <i>Can also be used as a top frame in Colonial applications</i></p>  <p>2.250</p>	<p>HV LOW PROFILE COLONIAL HORIZONTAL RAIL x 16' 2" 41-63-862 Mill Finish <i>Horizontal Rail for Colonials</i></p>  <p>2.250</p>
<p>Bahama Top Frame with Hinge x 20' Welded System 41-63-885</p>  <p>1.839, 2.250, 2.829, 1.250</p>	<p>BAHAMA FEMALE HINGE x 20' 41-63-803 Mill Finish 6 pcs</p>  <p>1.449, 2.381</p>	<p>1" BUILD-OUT BAHAMA FEMALE HINGE x 20' 41-63-804 Mill Finish 6 pcs</p>  <p>1.461, 3.311</p>	<p>BAHAMA FEMALE FLAT HINGE x 20' 41-63-805 Mill Finish 6 pcs</p>  <p>3.374</p>

WELDED Low Profile Bahama Colonial coverage chart

Additional heights available upon request. Blades continue inside top & bottom channel.

For Hinges & Components see Hurricane p55

visible blades	total blades	finished height"	visible blades	total blades	finished height"	visible blades	total blades	finished height"
11		24-7/16	21		42-9/16	31		60-11/16
12		26-1/4	22		44-3/8	32		62-1/2
13		28-1/16	23		46-3/16	33		64-5/16
14		29-7/8	24		48	34		66-1/8
15		31-11/16	25		49-13/16	35		67-15/16
16		33-1/2	26		51-5/8	36		69-3/4
17		35-5/16	27		53-7/16	37		71-9/16
18		37-1/8	28		55-1/4	38		73-3/8
19		38-15/16	29		57-1/16	39		75-3/16
20		40-3/4	30		58-7/8	40		77

Hurricane 52



Eastern Metal Supply
Quality Shapes In Aluminum

EMS FL

1-800-432-2204
(561) 588-4780 - fax

EMS NC

1-800-343-8154
(704) 391-2267 - fax

EMS TX

1-800-996-6061
(281) 656-2297 - fax

EMS MO

1-888-822-6061
(314) 344-3349 - fax

Additional Locations: West Palm Beach & Lakeland, FL; Newark, DE and Birmingham, AL

website: www.EasternMetal.com

e-mail: info@EasternMetal.com

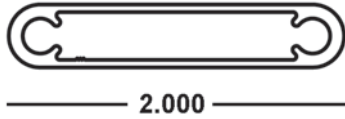
version: 09/12/16

NON-IMPACT BAHAMA/COLONIAL SYSTEM

For Hinges & Components see Hurricane p55 (next page)

BAHAMA/COLONIAL HOLLOW BLADE x 16'

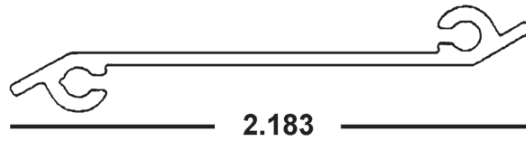
80-MF-011 M/F (#8 screw)
80-WH-011 White (#8 screw)
Mates with Punched Frame and Cap



NON
ASSA
PRODUCT

BAHAMA/COLONIAL SOLID BLADE x 20'

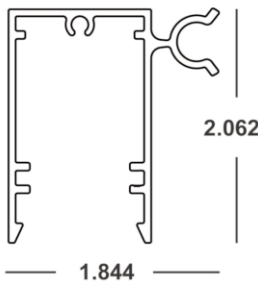
52-63-4696 M/F 20 pcs
52-63-3060 White 24 pcs
Mates with Punched Frame and Cap



NON
ASSA
PRODUCT

MALE BAHAMA FRAME (with Hinge) x 20'

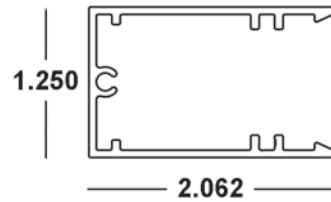
52-63-8535 M/F



NON
ASSA
PRODUCT

BAHAMA/COLONIAL FRAME x 20'

52-63-4694 M/F 8 pcs
80-WH-012 White 6 pcs

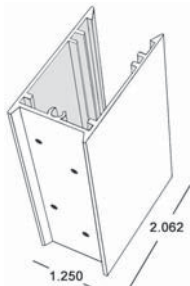


NON
ASSA
PRODUCT

Copyright 2007-2014 Eastern Metal Supply, Inc. HVTM, BERTHA HV®, BERTHA®, DACROSHIELD® are all trademarks of Eastern Metal Supply, Inc. ASSA® is a trademark of the American Shutter Systems Association. All rights reserved.

BAHAMA/COLONIAL CENTER MULLION x 20' (Punched*)

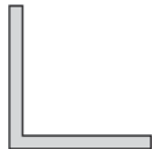
52-63-4695P M/F 6 pcs
52-63-4695 M/F (Unpunched) 6 pcs



NON
ASSA
PRODUCT

2" X .093" ARCHITECTURAL ANGLE x 24' 3" (Corner Key)

52-63-5805A M/F



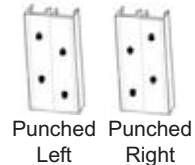
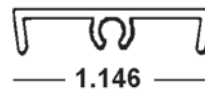
For Storm Protection Shutter to be backed with .050 sheet

NON
ASSA
PRODUCT

BAHAMA/COLONIAL FRAME CAP x 20' (Punched & Unpunched)

punched* (left) 20 pcs (mates with Frame)
52-63-4698L M/F
punched* (right) 20 pcs (mates with Mullion & Frame)
52-63-4698R M/F
unpunched 16 pcs (mates with Frame)
52-63-4698 M/F

NON
ASSA
PRODUCT

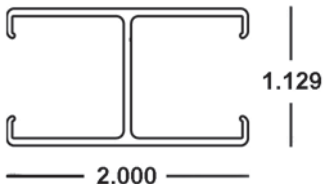


RATED NON-IMPACT DECORATIVE SHADE AWNING

For Hinges & Components see Hurricane p55 (next page)

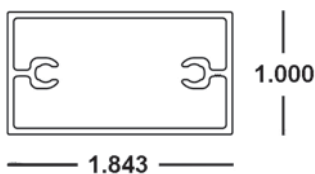
H-Mullion x 26' 9"

52-63-1706 6063-T6 Mill Finish



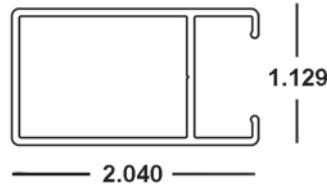
Horizontal Tube x 26' 9"

52-63-058 6063-T6 Mill Finish



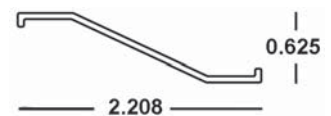
Shutter Jamb x 26' 9"

52-63-059 6063-T6 Mill Finish



Louver Blade x 12' 2"

52-63-060 6063-T6 Mill Finish



* Blade slides into punched .050 sheet and inserts into Shutter Jamb slot.

Hurricane 54



Eastern Metal Supply
Quality Shapes In Aluminum

EMS FL

1-800-432-2204
(561) 588-4780 - fax

EMS NC

1-800-343-8154
(704) 391-2267 - fax

EMS TX

1-800-996-6061
(281) 656-2297 - fax

EMS MO

1-888-822-6061
(314) 344-3349 - fax

Additional Locations: West Palm Beach & Lakeland, FL; Newark, DE and Birmingham, AL

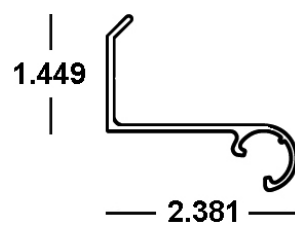
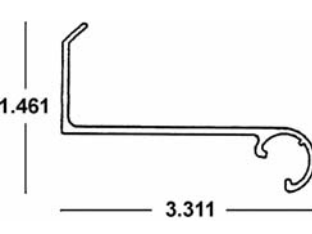
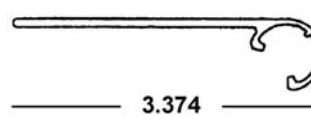
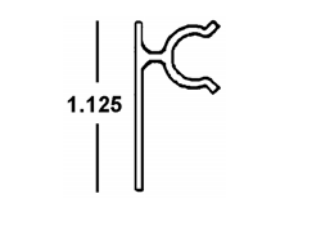
website: www.EasternMetal.com

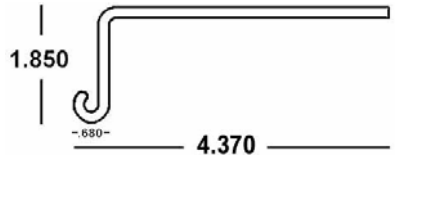
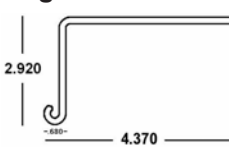
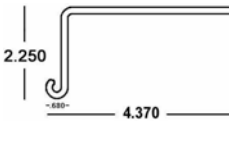
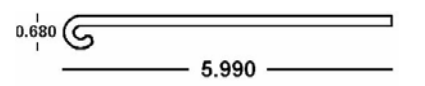
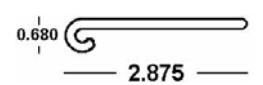
e-mail: info@EasternMetal.com

version: 08/18/16


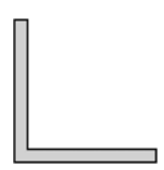
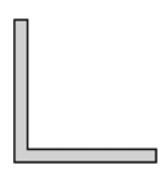
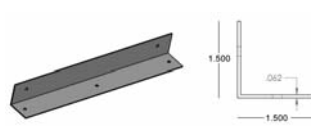

BAHAMA/COLONIAL HINGES & COMPONENTS

Used in a variety of Bahama/Colonial Systems

<p>Bahama Female Hinge x 20' 41-63-803 Mill Finish 6 pcs</p> 	<p>1" Build-Out Bahama Female Hinge x 20' 41-63-804 Mill Finish 6 pcs</p> 	<p>Bahama Female Flat Hinge x 20' 41-63-805 Mill Finish 6 pcs</p> 	<p>Bahama Male Hinge x 20' 41-63-814 Mill Finish 16 pcs</p> 
---	--	---	--

<p>Colonial Single Hinge x 12' Mill Finish 6 pcs 41-63-816 <i>Wall Mount</i> <i>Mates with 41-63-824N</i></p> 	<p>Colonial Double Hinge x 12' Mill Finish 4 pcs Wall Mount 41-63-813 <i>Mates with 41-63-824N</i></p>  <p>2.25 Colonial Double Hinge x 12' Mill Finish 4 pcs Wall Mount <u>52-61-4146</u> <i>Mates with 41-63-824N</i></p> 	<p>Colonial Flat Hinge x 12' 41-63-811 <i>Wall Mount</i> Mill Finish 6 pcs; <i>Mates with 41-63-824N</i></p>  <p>Colonial Flat Hinge x 12' 41-63-824N <i>Shutter Mount</i> Mill Finish 6 pcs; <i>Mates with 41-63-816, 41-63-813, 41-63-811, 41-63-824N, 52-61-4146</i></p> 
--	--	--

<p>HV™ Bahama Telescoping Arm Kit <i>Kit includes 2 Tubes, Slip Collar, Camel Back, Cap and U-Clip. (Approximate Max Extended Length shown in parenthesis)</i></p> <table border="0"> <thead> <tr> <th>Code</th> <th>Arm Size (Extended) Finish</th> <th>Code</th> <th>Arm Size (Extended) Finish</th> </tr> </thead> <tbody> <tr> <td><u>7002K</u></td> <td>12" (23") MF</td> <td><u>7017K</u></td> <td>30" (59") MF</td> </tr> <tr> <td><u>7002KWH</u></td> <td>12" (23") White</td> <td><u>7017KWH</u></td> <td>30" (59") White</td> </tr> <tr> <td><u>7002KBK</u></td> <td>12" (23") Black</td> <td><u>7017KBK</u></td> <td>30" (59") Black</td> </tr> <tr> <td><u>7002KMB</u></td> <td>12" (23") Bronze</td> <td><u>7017KMB</u></td> <td>30" (59") Bronze</td> </tr> <tr> <td><u>7003K (FL/TX)</u></td> <td>18" (35") MF</td> <td><u>7018K</u></td> <td>36" (71") MF</td> </tr> <tr> <td><u>7003KWH</u></td> <td>18" (35") White</td> <td><u>7018KWH</u></td> <td>36" (71") White</td> </tr> <tr> <td><u>7003KBK</u></td> <td>18" (35") Black</td> <td><u>7018KBK</u></td> <td>36" (71") Black</td> </tr> <tr> <td><u>7003KMB</u></td> <td>18" (35") Bronze</td> <td><u>7018KMB</u></td> <td>36" (71") Bronze</td> </tr> <tr> <td><u>7004K (FL/TX)</u></td> <td>24" (47") MF</td> <td></td> <td></td> </tr> <tr> <td><u>7004KWH</u></td> <td>24" (47") White</td> <td></td> <td></td> </tr> <tr> <td><u>7004KBK (FL/TX)</u></td> <td>24" (47") Black</td> <td></td> <td></td> </tr> <tr> <td><u>7004KMB</u></td> <td>24" (47") Bronze</td> <td></td> <td></td> </tr> </tbody> </table> 	Code	Arm Size (Extended) Finish	Code	Arm Size (Extended) Finish	<u>7002K</u>	12" (23") MF	<u>7017K</u>	30" (59") MF	<u>7002KWH</u>	12" (23") White	<u>7017KWH</u>	30" (59") White	<u>7002KBK</u>	12" (23") Black	<u>7017KBK</u>	30" (59") Black	<u>7002KMB</u>	12" (23") Bronze	<u>7017KMB</u>	30" (59") Bronze	<u>7003K (FL/TX)</u>	18" (35") MF	<u>7018K</u>	36" (71") MF	<u>7003KWH</u>	18" (35") White	<u>7018KWH</u>	36" (71") White	<u>7003KBK</u>	18" (35") Black	<u>7018KBK</u>	36" (71") Black	<u>7003KMB</u>	18" (35") Bronze	<u>7018KMB</u>	36" (71") Bronze	<u>7004K (FL/TX)</u>	24" (47") MF			<u>7004KWH</u>	24" (47") White			<u>7004KBK (FL/TX)</u>	24" (47") Black			<u>7004KMB</u>	24" (47") Bronze			<p>1" SLIP COLLAR WITH THUMB SCREW <i>Accepts 1" Serrated Tube for Telescoping Arms</i></p> <table border="0"> <tr> <td><u>7000 (FL/TX)</u></td> <td>Mill Finish x 9/16"</td> </tr> <tr> <td><u>7000WH</u></td> <td>White x 9/16"</td> </tr> <tr> <td><u>7000BK</u></td> <td>Black x 9/16"</td> </tr> <tr> <td><u>7000MB</u></td> <td>Bronze x 9/16"</td> </tr> <tr> <td><u>MILL ORDER</u></td> <td><u>52-63-2484</u> MF x 20"</td> </tr> <tr> <td><u>52-00-139 (TX)</u></td> <td>Mill Finish x 9/16" (No Thumbscrew)</td> </tr> <tr> <td><u>41014 (TX)</u></td> <td>1/4-20 x 3/4 Thumbscrew (mates with 52-00-139)</td> </tr> <tr> <td><u>41021 (TX)</u></td> <td>1/4-20 x 1 Thumbscrew (mates with 52-00-139)</td> </tr> </table> <p>CAMEL BACK CLIP WITH PIN</p> <table border="0"> <tr> <td><u>7001</u></td> <td>Mill Finish</td> </tr> <tr> <td><u>7001WH</u></td> <td>White</td> </tr> <tr> <td><u>7001BK</u></td> <td>Black</td> </tr> <tr> <td><u>7001MB</u></td> <td>Bronze</td> </tr> <tr> <td><u>41010 (TX)</u></td> <td>Camel Back Clip (no pin)</td> </tr> <tr> <td><u>41012 (TX)</u></td> <td>Camel Back Pin</td> </tr> </table> 	<u>7000 (FL/TX)</u>	Mill Finish x 9/16"	<u>7000WH</u>	White x 9/16"	<u>7000BK</u>	Black x 9/16"	<u>7000MB</u>	Bronze x 9/16"	<u>MILL ORDER</u>	<u>52-63-2484</u> MF x 20"	<u>52-00-139 (TX)</u>	Mill Finish x 9/16" (No Thumbscrew)	<u>41014 (TX)</u>	1/4-20 x 3/4 Thumbscrew (mates with 52-00-139)	<u>41021 (TX)</u>	1/4-20 x 1 Thumbscrew (mates with 52-00-139)	<u>7001</u>	Mill Finish	<u>7001WH</u>	White	<u>7001BK</u>	Black	<u>7001MB</u>	Bronze	<u>41010 (TX)</u>	Camel Back Clip (no pin)	<u>41012 (TX)</u>	Camel Back Pin
Code	Arm Size (Extended) Finish	Code	Arm Size (Extended) Finish																																																																														
<u>7002K</u>	12" (23") MF	<u>7017K</u>	30" (59") MF																																																																														
<u>7002KWH</u>	12" (23") White	<u>7017KWH</u>	30" (59") White																																																																														
<u>7002KBK</u>	12" (23") Black	<u>7017KBK</u>	30" (59") Black																																																																														
<u>7002KMB</u>	12" (23") Bronze	<u>7017KMB</u>	30" (59") Bronze																																																																														
<u>7003K (FL/TX)</u>	18" (35") MF	<u>7018K</u>	36" (71") MF																																																																														
<u>7003KWH</u>	18" (35") White	<u>7018KWH</u>	36" (71") White																																																																														
<u>7003KBK</u>	18" (35") Black	<u>7018KBK</u>	36" (71") Black																																																																														
<u>7003KMB</u>	18" (35") Bronze	<u>7018KMB</u>	36" (71") Bronze																																																																														
<u>7004K (FL/TX)</u>	24" (47") MF																																																																																
<u>7004KWH</u>	24" (47") White																																																																																
<u>7004KBK (FL/TX)</u>	24" (47") Black																																																																																
<u>7004KMB</u>	24" (47") Bronze																																																																																
<u>7000 (FL/TX)</u>	Mill Finish x 9/16"																																																																																
<u>7000WH</u>	White x 9/16"																																																																																
<u>7000BK</u>	Black x 9/16"																																																																																
<u>7000MB</u>	Bronze x 9/16"																																																																																
<u>MILL ORDER</u>	<u>52-63-2484</u> MF x 20"																																																																																
<u>52-00-139 (TX)</u>	Mill Finish x 9/16" (No Thumbscrew)																																																																																
<u>41014 (TX)</u>	1/4-20 x 3/4 Thumbscrew (mates with 52-00-139)																																																																																
<u>41021 (TX)</u>	1/4-20 x 1 Thumbscrew (mates with 52-00-139)																																																																																
<u>7001</u>	Mill Finish																																																																																
<u>7001WH</u>	White																																																																																
<u>7001BK</u>	Black																																																																																
<u>7001MB</u>	Bronze																																																																																
<u>41010 (TX)</u>	Camel Back Clip (no pin)																																																																																
<u>41012 (TX)</u>	Camel Back Pin																																																																																

<p>Telescoping Serrated Tube x 20' Mill Finish</p> <table border="0"> <tr> <td><u>52-63-537</u></td> <td>.875"</td> <td>26 pcs</td> </tr> <tr> <td><u>51-63-381</u></td> <td>1.000"</td> <td>32 pcs</td> </tr> </table> 	<u>52-63-537</u>	.875"	26 pcs	<u>51-63-381</u>	1.000"	32 pcs	<p>Corner Key/Tie Down Mill Finish Angle 2 x 2 x 1/8 x 20' 11-63-315</p>  <p>2 x 2 x 3/16 x 20' 11-63-320</p> 	<p>Fixed Low Pro Colonial Mounting Bracket 1.5 x 1.5 x .062 Angle Pre-Drilled 3/16" Holes</p> <table border="0"> <tr> <td><u>7058</u></td> <td>x 4"</td> </tr> <tr> <td><u>7053</u></td> <td>x 10"</td> </tr> <tr> <td><u>7055</u></td> <td>x 14"</td> </tr> </table> 	<u>7058</u>	x 4"	<u>7053</u>	x 10"	<u>7055</u>	x 14"	<p>Low Pro Hold Back Clip LP-HOLDBACK (1 of each: LP-003 & LP-004) Boxed in pairs of 100</p>  <p><small>Copyright 2007-2017 Eastern Metal Supply, Inc. HV™ BERTHA HV®, BERTHA® are all trademarks of Eastern Metal Supply, Inc. ASSA® is a trademark of the American Shutter Systems Association. All rights reserved.</small></p>
<u>52-63-537</u>	.875"	26 pcs													
<u>51-63-381</u>	1.000"	32 pcs													
<u>7058</u>	x 4"														
<u>7053</u>	x 10"														
<u>7055</u>	x 14"														

Hurricane 55



Eastern Metal Supply
Quality Shapes In Aluminum

EMS FL

1-800-432-2204
(561) 588-4780 - fax

EMS NC

1-800-343-8154
(704) 391-2267 - fax

EMS TX

1-800-996-6061
(281) 656-2297 - fax

EMS MO

1-888-822-6061
(314) 344-3349 - fax

Additional Locations: West Palm Beach & Lakeland, FL; Newark, DE; Birmingham, AL; Akron, OH; Van Buren, AR
website: www.EasternMetal.com **e-mail:** info@EasternMetal.com **version:** 06/13/18