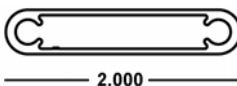
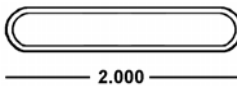
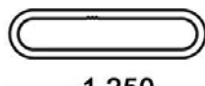
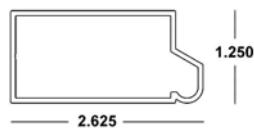
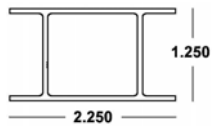
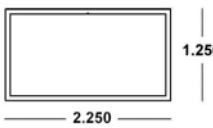
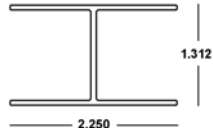
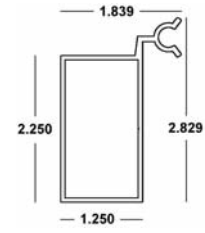
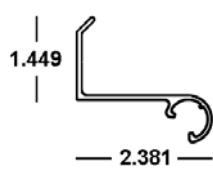
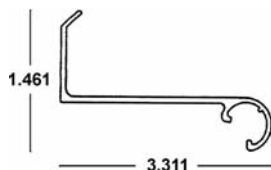
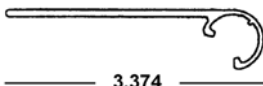


HV LOW PROFILE DECORATIVE BAHAMA/COLONIAL WELDED SYSTEM*

*Currently available for decorative applications; Future code testing pending

<p>2" Bahama/Colonial Hollow Blade x 16' Uses #14 screw Mill Finish 80-MF-013</p>  <p>2.000</p>	<p>2" Bahama Decorative Blade x 16' Non-Impact Mill Finish 41-63-830</p>  <p>2.000</p>	<p>1.25 HV Low Profile Blade x 12' 41-63-834 Mill Finish <i>*Special Mill Order Frame Required - Call your Sales Representative for Coverage Chart</i></p>  <p>1.250</p>	
<p>Self Mating Colonial Inside Frame x 20' 3" Welded System 41-63-880 UNPUNCHED 41-63-880R PUNCHED Right 41-63-880L PUNCHED Left</p>  <p>2.625</p>	<p>Center Mullion x 12' Welded System 41-63-888 UNPUNCHED 41-63-888P PUNCHED</p>  <p>2.250</p>	<p>Side & Bottom Frame x 20' Welded System 41-63-883 UNPUNCHED 41-63-883R PUNCHED Right 41-63-883L PUNCHED Left <i>Can also be used as a top frame in Colonial applications</i></p>  <p>2.250</p>	<p>HV LOW PROFILE COLONIAL HORIZONTAL RAIL x 16' 2" 41-63-862 Mill Finish <i>Horizontal Rail for Colonials</i></p>  <p>2.250</p>
<p>Bahama Top Frame with Hinge x 20' Welded System 41-63-885</p>  <p>1.839, 2.250, 2.829, 1.250</p>	<p>BAHAMA FEMALE HINGE x 20' 41-63-803 Mill Finish 6 pcs</p>  <p>1.449, 2.381</p>	<p>1" BUILD-OUT BAHAMA FEMALE HINGE x 20' 41-63-804 Mill Finish 6 pcs</p>  <p>1.461, 3.311</p>	<p>BAHAMA FEMALE FLAT HINGE x 20' 41-63-805 Mill Finish 6 pcs</p>  <p>3.374</p>

WELDED Low Profile Bahama Colonial coverage chart

Additional heights available upon request. Blades continue inside top & bottom channel.

For Hinges & Components see Hurricane p55

visible blades	total blades	finished height"	visible blades	total blades	finished height"	visible blades	total blades	finished height"
11		24-7/16	21		42-9/16	31		60-11/16
12		26-1/4	22		44-3/8	32		62-1/2
13		28-1/16	23		46-3/16	33		64-5/16
14		29-7/8	24		48	34		66-1/8
15		31-11/16	25		49-13/16	35		67-15/16
16		33-1/2	26		51-5/8	36		69-3/4
17		35-5/16	27		53-7/16	37		71-9/16
18		37-1/8	28		55-1/4	38		73-3/8
19		38-15/16	29		57-1/16	39		75-3/16
20		40-3/4	30		58-7/8	40		77

Hurricane 52



Eastern Metal Supply
Quality Shapes In Aluminum

EMS FL

1-800-432-2204
(561) 588-4780 - fax

EMS NC

1-800-343-8154
(704) 391-2267 - fax

EMS TX

1-800-996-6061
(281) 656-2297 - fax

EMS MO

1-888-822-6061
(314) 344-3349 - fax

Additional Locations: West Palm Beach & Lakeland, FL; Newark, DE and Birmingham, AL


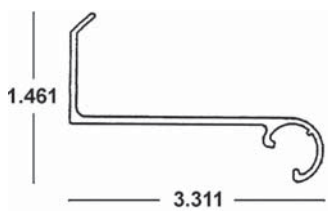
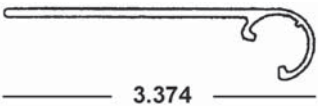
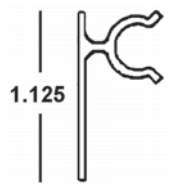
website: www.EasternMetal.com

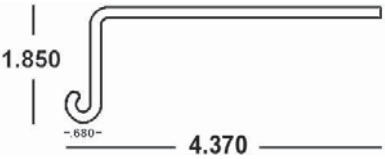
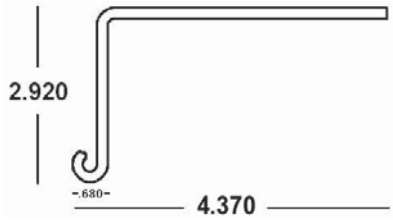
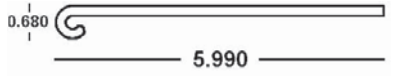
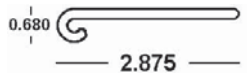
e-mail: info@EasternMetal.com




version: 09/12/16


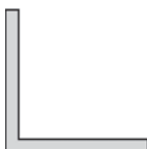


BAHAMA/COLONIAL HINGES & COMPONENTS

Used in a variety of Bahama/Colonial Systems

<p>Bahama Female Hinge x 20' 41-63-803 Mill Finish 6 pcs</p> 	<p>1" Build-Out Bahama Female Hinge x 20' 41-63-804 Mill Finish 6 pcs</p> 	<p>Bahama Female Flat Hinge x 20' 41-63-805 Mill Finish 6 pcs</p> 	<p>Bahama Male Hinge x 20' 41-63-814 Mill Finish 16 pcs</p> 
--	---	--	---

<p>Colonial Single Hinge x 12' Mill Finish 6 pcs 41-63-816 <i>Wall Mount</i> <i>Mates with 41-63-824N</i></p> 	<p>Colonial Double Hinge x 12' Mill Finish 4 pcs 41-63-813 <i>Wall Mount</i> <i>Mates with 41-63-824N</i></p> 	<p>Colonial Flat Hinge x 12' 41-63-811 <i>Wall Mount</i> Mill Finish 6 pcs; <i>Mates with 41-63-824N</i></p>  <p>Colonial Flat Hinge x 12' 41-63-824N <i>Shutter Mount</i> Mill Finish 6 pcs; <i>Mates with 41-63-816, 41-63-813, 41-63-811, 41-63-824N</i></p> 
---	--	--

<p>HV™ Bahama Telescoping Arm Kit <i>Kit includes Slip Collar, Camel Back, Cap and U-Clip. Lengths shown are maximum length of telescoping tubes.</i></p> <table style="width: 100%; border: none;"> <tr><td><u>7002K</u></td><td>12" MF</td></tr> <tr><td><u>7002KWH</u></td><td>12" White</td></tr> <tr><td><u>7002KBK</u></td><td>12" Black</td></tr> <tr><td><u>7002KMB</u></td><td>12" Bronze</td></tr> <tr><td><u>7003K (FL/TX)</u></td><td>18" MF</td></tr> <tr><td><u>7003KWH</u></td><td>18" White</td></tr> <tr><td><u>7003KBK</u></td><td>18" Black</td></tr> <tr><td><u>7003KMB</u></td><td>18" Bronze</td></tr> <tr><td><u>7004K (FL/TX)</u></td><td>24" MF</td></tr> <tr><td><u>7004KWH</u></td><td>24" White</td></tr> <tr><td><u>7004KBK (FL/TX)</u></td><td>24" Black</td></tr> <tr><td><u>7004KMB</u></td><td>24" Bronze</td></tr> </table> 	<u>7002K</u>	12" MF	<u>7002KWH</u>	12" White	<u>7002KBK</u>	12" Black	<u>7002KMB</u>	12" Bronze	<u>7003K (FL/TX)</u>	18" MF	<u>7003KWH</u>	18" White	<u>7003KBK</u>	18" Black	<u>7003KMB</u>	18" Bronze	<u>7004K (FL/TX)</u>	24" MF	<u>7004KWH</u>	24" White	<u>7004KBK (FL/TX)</u>	24" Black	<u>7004KMB</u>	24" Bronze	<p>HV™ Bahama Telescoping Arm Kit <i>Kit includes Slip Collar, Camel Back, Cap and U-Clip. Lengths shown are maximum length of telescoping tubes.</i></p> <table style="width: 100%; border: none;"> <tr><td><u>7017K</u></td><td>30" MF</td></tr> <tr><td><u>7017KWH</u></td><td>30" White</td></tr> <tr><td><u>7017KBK</u></td><td>30" Black</td></tr> <tr><td><u>7017KMB</u></td><td>30" Bronze</td></tr> <tr><td><u>7018K</u></td><td>36" MF</td></tr> <tr><td><u>7018KWH</u></td><td>36" White</td></tr> <tr><td><u>7018KBK</u></td><td>36" Black</td></tr> <tr><td><u>7018KMB</u></td><td>36" Bronze</td></tr> </table> 	<u>7017K</u>	30" MF	<u>7017KWH</u>	30" White	<u>7017KBK</u>	30" Black	<u>7017KMB</u>	30" Bronze	<u>7018K</u>	36" MF	<u>7018KWH</u>	36" White	<u>7018KBK</u>	36" Black	<u>7018KMB</u>	36" Bronze	<p>1" SLIP COLLAR WITH THUMB SCREW <i>Accepts 1" Serrated Tube for Telescoping Arms</i></p> <table style="width: 100%; border: none;"> <tr><td><u>7000 (FL/TX)</u></td><td>Mill Finish x 9/16"</td></tr> <tr><td><u>7000WH</u></td><td>White x 9/16"</td></tr> <tr><td><u>7000BK</u></td><td>Black x 9/16"</td></tr> <tr><td><u>7000MB</u></td><td>Bronze x 9/16"</td></tr> <tr><td><u>MILL ORDER</u></td><td>52-63-2484 MF x 20"</td></tr> <tr><td><u>52-00-139 (TX)</u></td><td>Mill Finish x 9/16" (No Thumbscrew)</td></tr> <tr><td><u>41014 (TX)</u></td><td>1/4-20 x 3/4 Thumbscrew (mates with 52-00-139)</td></tr> <tr><td><u>41021 (TX)</u></td><td>1/4-20 x 1 Thumbscrew (mates with 52-00-139)</td></tr> </table> <p>CAMEL BACK CLIP WITH PIN</p> <table style="width: 100%; border: none;"> <tr><td><u>7001</u></td><td>Mill Finish</td></tr> <tr><td><u>7001WH</u></td><td>White</td></tr> <tr><td><u>7001BK</u></td><td>Black</td></tr> <tr><td><u>7001MB</u></td><td>Bronze</td></tr> <tr><td><u>41010 (TX)</u></td><td>Camel Back Clip (no pin)</td></tr> <tr><td><u>41012 (TX)</u></td><td>Camel Back Pin</td></tr> </table> 	<u>7000 (FL/TX)</u>	Mill Finish x 9/16"	<u>7000WH</u>	White x 9/16"	<u>7000BK</u>	Black x 9/16"	<u>7000MB</u>	Bronze x 9/16"	<u>MILL ORDER</u>	52-63-2484 MF x 20"	<u>52-00-139 (TX)</u>	Mill Finish x 9/16" (No Thumbscrew)	<u>41014 (TX)</u>	1/4-20 x 3/4 Thumbscrew (mates with 52-00-139)	<u>41021 (TX)</u>	1/4-20 x 1 Thumbscrew (mates with 52-00-139)	<u>7001</u>	Mill Finish	<u>7001WH</u>	White	<u>7001BK</u>	Black	<u>7001MB</u>	Bronze	<u>41010 (TX)</u>	Camel Back Clip (no pin)	<u>41012 (TX)</u>	Camel Back Pin
<u>7002K</u>	12" MF																																																																					
<u>7002KWH</u>	12" White																																																																					
<u>7002KBK</u>	12" Black																																																																					
<u>7002KMB</u>	12" Bronze																																																																					
<u>7003K (FL/TX)</u>	18" MF																																																																					
<u>7003KWH</u>	18" White																																																																					
<u>7003KBK</u>	18" Black																																																																					
<u>7003KMB</u>	18" Bronze																																																																					
<u>7004K (FL/TX)</u>	24" MF																																																																					
<u>7004KWH</u>	24" White																																																																					
<u>7004KBK (FL/TX)</u>	24" Black																																																																					
<u>7004KMB</u>	24" Bronze																																																																					
<u>7017K</u>	30" MF																																																																					
<u>7017KWH</u>	30" White																																																																					
<u>7017KBK</u>	30" Black																																																																					
<u>7017KMB</u>	30" Bronze																																																																					
<u>7018K</u>	36" MF																																																																					
<u>7018KWH</u>	36" White																																																																					
<u>7018KBK</u>	36" Black																																																																					
<u>7018KMB</u>	36" Bronze																																																																					
<u>7000 (FL/TX)</u>	Mill Finish x 9/16"																																																																					
<u>7000WH</u>	White x 9/16"																																																																					
<u>7000BK</u>	Black x 9/16"																																																																					
<u>7000MB</u>	Bronze x 9/16"																																																																					
<u>MILL ORDER</u>	52-63-2484 MF x 20"																																																																					
<u>52-00-139 (TX)</u>	Mill Finish x 9/16" (No Thumbscrew)																																																																					
<u>41014 (TX)</u>	1/4-20 x 3/4 Thumbscrew (mates with 52-00-139)																																																																					
<u>41021 (TX)</u>	1/4-20 x 1 Thumbscrew (mates with 52-00-139)																																																																					
<u>7001</u>	Mill Finish																																																																					
<u>7001WH</u>	White																																																																					
<u>7001BK</u>	Black																																																																					
<u>7001MB</u>	Bronze																																																																					
<u>41010 (TX)</u>	Camel Back Clip (no pin)																																																																					
<u>41012 (TX)</u>	Camel Back Pin																																																																					

<p>Telescoping Serrated Tube x 20' Mill Finish</p> <table style="width: 100%; border: none;"> <tr><td>52-63-537</td><td>.875"</td><td>26 pcs</td></tr> <tr><td>51-63-381</td><td>1.000"</td><td>32 pcs</td></tr> </table> 	52-63-537	.875"	26 pcs	51-63-381	1.000"	32 pcs	<p>Corner Key/Tie Down Mill Finish Angle</p> <table style="width: 100%; border: none;"> <tr><td>2 x 2 x 1/8 x 20'</td><td>11-63-315</td></tr> <tr><td>2 x 2 x 3/16 x 20'</td><td>11-63-320</td></tr> </table> 	2 x 2 x 1/8 x 20'	11-63-315	2 x 2 x 3/16 x 20'	11-63-320	<p>Fixed Low Pro Colonial Mounting Bracket 1.5 x 1.5 x .062 Angle Pre-Drilled 3/16" Holes</p> <table style="width: 100%; border: none;"> <tr><td><u>7058</u></td><td>x 4"</td></tr> <tr><td><u>7053</u></td><td>x 10"</td></tr> <tr><td><u>7055</u></td><td>x 14"</td></tr> </table> 	<u>7058</u>	x 4"	<u>7053</u>	x 10"	<u>7055</u>	x 14"	<p>Low Pro Hold Back Clip Sold in Pairs (box of 100) <u>LP-HOLDBACK</u></p>  <p style="font-size: small; text-align: right;">Copyright 2007-2016 Eastern Metal Supply, Inc. HV™ BERTHA HV®, BERTHA® are all trademarks of Eastern Metal Supply, Inc. ASSA® is a trademark of the American Shutter Systems Association. All rights reserved.</p>
52-63-537	.875"	26 pcs																	
51-63-381	1.000"	32 pcs																	
2 x 2 x 1/8 x 20'	11-63-315																		
2 x 2 x 3/16 x 20'	11-63-320																		
<u>7058</u>	x 4"																		
<u>7053</u>	x 10"																		
<u>7055</u>	x 14"																		

Hurricane 55



Eastern Metal Supply
Quality Shapes In Aluminum

EMS FL

1-800-432-2204
(561) 588-4780 - fax

EMS NC

1-800-343-8154
(704) 391-2267 - fax

EMS TX

1-800-996-6061
(281) 656-2297 - fax

EMS MO

1-888-822-6061
(314) 344-3349 - fax

Additional Locations: West Palm Beach & Lakeland, FL; Newark, DE and Birmingham, AL

website: www.EasternMetal.com

e-mail: info@EasternMetal.com

version: 08/18/16