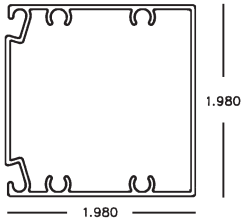
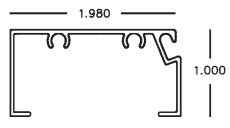
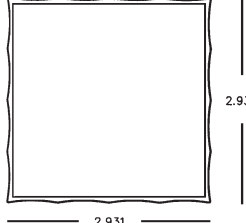
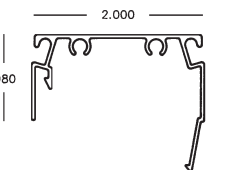
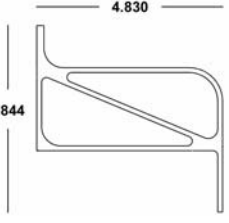
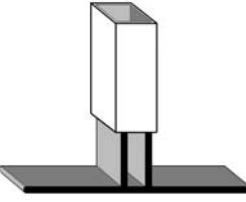
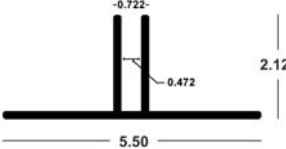
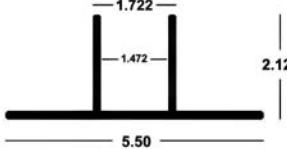
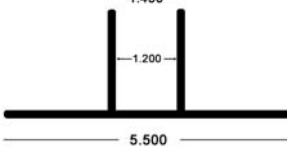
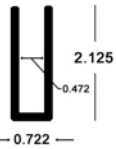
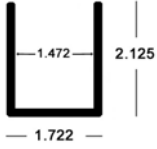
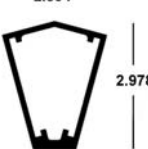
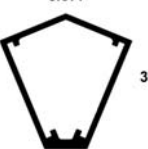
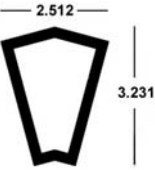
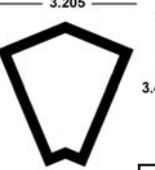


# Patio Enclosure Shapes

<p>2" Patio Sq. Tube w/Spline x 24' 42-WH-001 (MO) White 42-MB-001 (MO) Bronze</p> 	<p>1" x 2" Open Back w/Spline x 24' 42-WH-002 (MO) White 42-MB-002 (MO) Bronze</p> 	<p>3" x .078" Fluted Sq. Tube x 20' 42-WH-003 (MO) White 42-MB-003 (MO) Bronze</p> 	<p>1" x 2" x .040" SMS w/2 Spline 42-WH-005 (MO) White 52-63-9424 (FL) White 42-MB-005 (MO) Bronze 52-63-9425 (FL) Bronze</p> 																
<p>5" Gutter Brace x 21' 52-63-10749 (FL) Mill Finish</p> 	<p><b>Fasteners - 5000pc min/box stocked only in MO</b> #10 Hex Washer Head Sheet Metal Screw #8 (1/4" head) - Also available in Bronze.</p> <table border="1"> <thead> <tr> <th>Product Code</th> <th>Description</th> </tr> </thead> <tbody> <tr> <td>0-10N75-0</td> <td>3/4" white xylan</td> </tr> <tr> <td>0-10N100-0</td> <td>1" white xylan</td> </tr> <tr> <td>0-10N150-0</td> <td>1-1/2" xylan zinc</td> </tr> <tr> <td>0-10N150-1</td> <td>1-1/2" white xylan</td> </tr> <tr> <td>0-10N200-0</td> <td>2" white xylan</td> </tr> <tr> <td>0-10N300-0</td> <td>3" white xylan</td> </tr> <tr> <td>0-10N400-0</td> <td>4" white xylan</td> </tr> </tbody> </table>	Product Code	Description	0-10N75-0	3/4" white xylan	0-10N100-0	1" white xylan	0-10N150-0	1-1/2" xylan zinc	0-10N150-1	1-1/2" white xylan	0-10N200-0	2" white xylan	0-10N300-0	3" white xylan	0-10N400-0	4" white xylan	<p><b>Channel x 20' (6063-T6)</b> 2-1/4" x 2" x 1/8" White 52-63-10647 (FL) 0.900 #/ft  2-1/4" x 2" x 1/8" Bronze 52-63-10648 (FL) 0.900 #/ft</p>	<p><b>Structural Angle x 20' (6063-T6)</b> 2" x 3/16" White 52-63-10718 (FL) 0.864 #/ft  2" x 3/16" Bronze 52-63-10719 (FL) 0.864 #/ft  2" x 3" x 3/16" White 52-63-10720 (FL) 1.092 #/ft  2" x 3" x 3/16" Bronze 52-63-10721 (FL) 1.092 #/ft</p>
Product Code	Description																		
0-10N75-0	3/4" white xylan																		
0-10N100-0	1" white xylan																		
0-10N150-0	1-1/2" xylan zinc																		
0-10N150-1	1-1/2" white xylan																		
0-10N200-0	2" white xylan																		
0-10N300-0	3" white xylan																		
0-10N400-0	4" white xylan																		

# Window Mullion Clips

<p>Mullion Bar Assembly</p> 	<p>1" Clip x 12' 52-63-8745 Inserts into 20-WH/MB-2320 and 20-WH/MB-2350</p> 	<p>2" Clip x 12' 52-63-8746 Inserts into 2" Rect Tube (.125 Wall)</p> 	<p>2" Clip x 12' 52-63-11885 Inserts into a 2" Rect Tube (.250 wall)</p> 
<p>1" U-Clip 52-63-11886 Inserts into 1" Rect Tube (.125 Wall)</p> 	<p>2" U-Clip 52-63-11887 Inserts into 2" Rect Tube (.125 Wall)</p> 	<p>30° Bay Window Mullion x 24' 30-BAYMULL-COLOR Available in White (WH) Bronze (MB)</p> 	<p>45° Bay Window Mullion x 24' 45-BAYMULL-COLOR Available in White (WH) Bronze (MB)</p> 
<p>Heavy Duty 30° Bay Window Mullion x 24' HD30-BAYMULL-COLOR Available in White (WH) Bronze (MB)</p> 	<p>Heavy Duty 45° Bay Window Mullion x 24' HD45-BAYMULL-COLOR Available in White (WH) Bronze (MB)</p> 	<p><b>Mullion Bars x 24' Rect Tube</b> 1 x 2-3/4 x .375/.125 20-WH-2320 White 0.824 #/ft  1 x 2-3/4 x .375/.125 20-MB-2320 Bronze 0.824 #/ft</p>	<p><b>Mullion Bars x 24' Rect Tube</b> 1 x 4 x .375/.125 20-WH-2350 White 1.874 #/ft  1 x 4 x .375/.125 20-MB-2350 Bronze 1.874 #/ft</p>

Architectural 10



[EMS FL](#)  
1-800-432-2204

[EMS NC](#)  
1-800-343-8154

[EMS TX](#)  
1-800-996-6061

[EMS MO](#)  
1-888-822-6061

(561) 588-4780 - fax

(704) 391-2267 - fax

(281) 656-2297 - fax

(314) 344-3349 - fax

**Additional Locations:** West Palm Beach & Lakeland, FL and Newark, DE

[website: www.easternmetal.com](http://www.easternmetal.com)

[e-mail: info@easternmetal.com](mailto:info@easternmetal.com)

[version: 01/27/11](#)

**Eastern Metal Supply**  
Quality Shapes In Aluminum