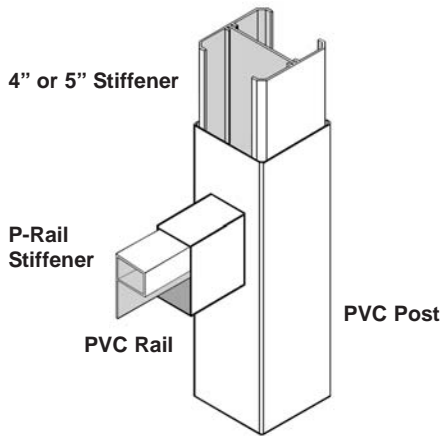
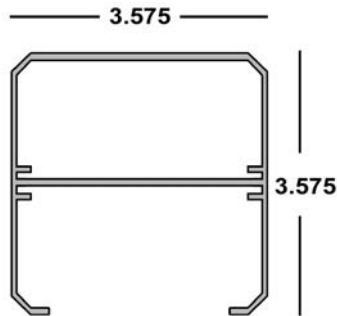


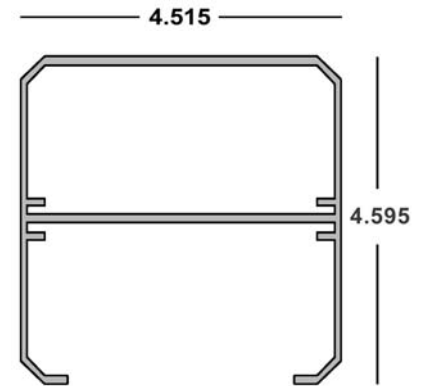
Post and Rail Stiffener Assembly



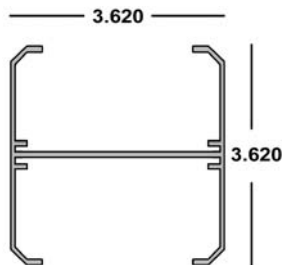
4" Gate Post A-Stiffener x 24'
65-63-016



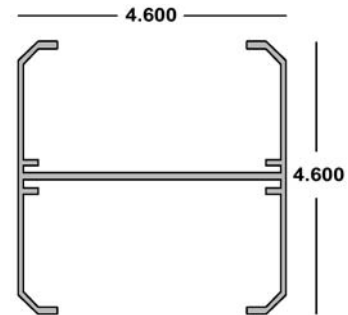
5" Gate Post A-Stiffener x 24'
65-63-015



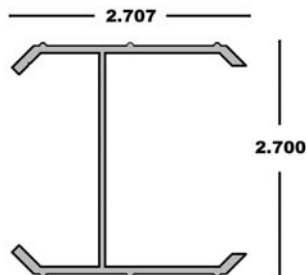
4" Post Stiffener x 24' 6063-T6 M/F
65-63-012 Regular Wall x 24' (NC/MO/DE)
65-63-909 Regular Wall x 6' (NC/DE)
65-63-002 Heavy Duty Wall x 24'



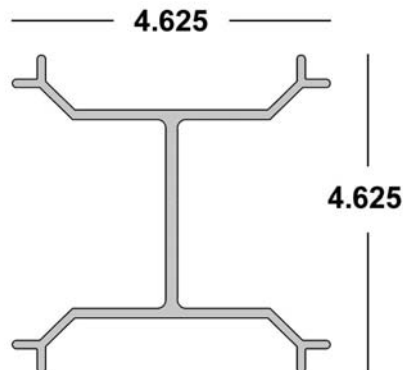
5" Post Stiffener x 24' 6063-T6 M/F
65-63-011 Regular Wall x 24' (NC/MO/DE)
65-63-908 Regular Wall x 8' (NC/DE)
65-63-001 Heavy Duty Wall x 24'
52-63-8054 Heavy Duty Wall x 8' (FL)
65-63-008 Heavy Duty Wall x 9' (FL/MO)



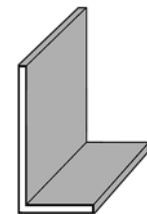
3" K Post Stiffener x 24'
65-63-017 (NC/MO*)



5" Corner Post Stiffener
Mill Order



2 x 3 x 1/8 Mounting
Angles* x 20'
11-63-390
*2 x 4" & 2 x 5" also available;
Used with 4" & 5" Post and Gate
Post Stiffeners



Fence & Wall 01



Eastern Metal Supply
Quality Shapes In Aluminum

EMS FL
1-800-432-2204
(561) 588-4780 - fax

EMS NC
1-800-343-8154
(704) 391-2267 - fax

EMS TX
1-800-996-6061
(281) 656-2297 - fax

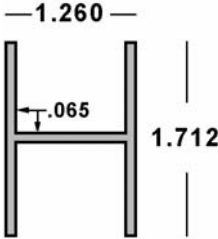
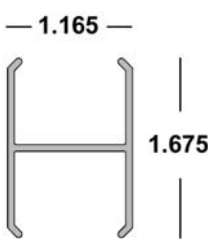
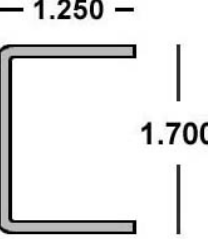
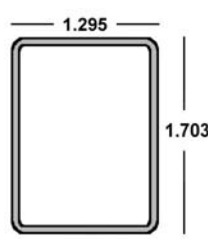
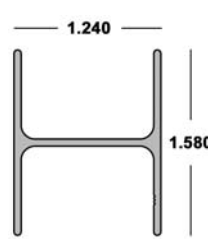
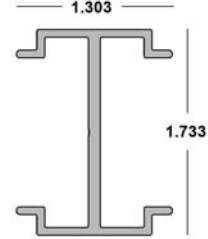
EMS MO
1-888-822-6061
(314) 344-3349 - fax

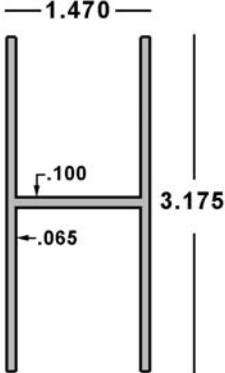
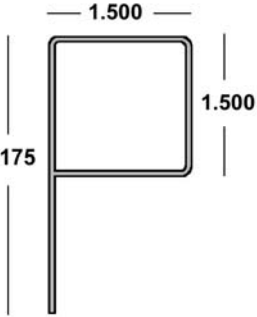
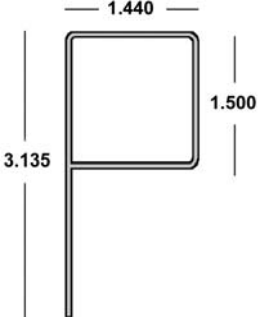
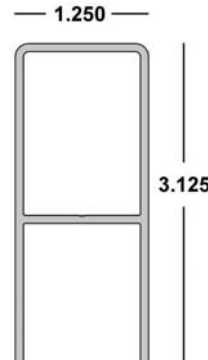
Additional Locations: West Palm Beach & Lakeland, FL; Newark, DE and Birmingham, AL

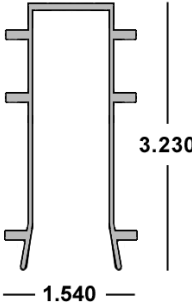
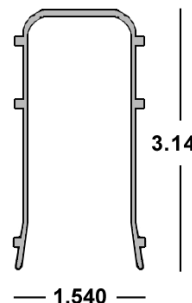
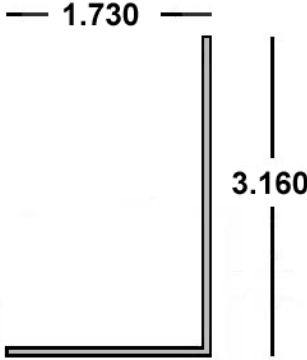
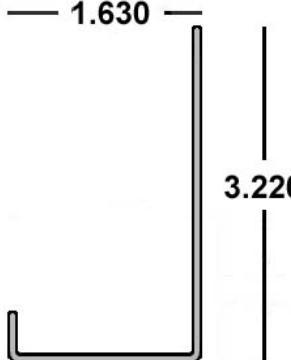
website: www.easternmetal.com

e-mail: info@easternmetal.com

version: 02/10/12

<p>H-Stiffener for 1-1/2" x 5-1/2" Rail 65-63-004 x 24' 65-63-914 x 96' (NC/DE)</p>  <p>1.260 0.065 1.712</p>	<p>H-OA Stiffener x 24' for 1-1/2" x 5-1/2" Rail 65-63-036</p>  <p>1.165 1.675</p>	<p>C-Stiffener for 1-1/2" x 5-1/2" Rail Mill Order (65-63-076)</p>  <p>1.250 1.700</p>	<p>WTP Stiffener x 24' for 1-1/2" x 5-1/2" Privacy Rail 65-63-062 (MO)</p>  <p>1.295 1.703</p>	<p>H-E Stiffener for 1-1/2" x 5-1/2" Pocketed Rail Mill Order (65-05-083)</p>  <p>1.240 1.580</p>	<p>IV Rail Stiffener x 24' MILL ORDER (65-63-053) for 1-1/2" x 5-1/2" pocketed rail</p>  <p>1.303 1.733</p>
--	--	---	--	--	--

<p>H-Stiffener x 24' for 1-3/4" x 3-1/2" Rail 65-63-005 (TX*)</p>  <p>1.470 0.100 0.065 3.175</p>	<p>P-Stiffener x 24' for 1-3/4" x 3-1/2" Rail 65-63-003</p>  <p>1.500 1.500 3.175</p>	<p>P-Stiffener x 24' (WESUB) for 1-3/4" x 3-1/2" Rail 65-63-034 (MO)</p>  <p>1.440 1.500 3.135</p>	<p>OT "A" Rail Stiffener x 24' for 1-3/4" x 3-1/2" Light Rail Mill Order (NC/MO/DE) formerly 65-05-051 6005-T5</p>  <p>1.250 3.125</p>
--	--	--	---

<p>U-Stiffener (BF) Mill Order for 1-3/4" x 3-1/2" Fencing Rail; accepts 7/8" Picket</p>  <p>3.230 1.540</p>	<p>U-Stiffener (BF) Mill Order (65-63-056 x 24' NC) for 1-3/4" x 3-1/2" Rail or 2" x 4" Rail, Top Rail (T-O); accepts 1-1/4" Picket</p>  <p>3.142 1.540</p>	<p>Angle Stiffener x 24' for 2" x 3-1/2" Rail 65-63-072 (NC/DE)</p>  <p>1.730 3.160</p>	<p>J-Stiffener for 2" x 3-1/2" Rail Mill Order (65-63-075)</p>  <p>1.630 3.220</p>
---	--	--	---

Fence & Wall 02



Eastern Metal Supply
Quality Shapes In Aluminum

[EMS FL](#)

1-800-432-2204
(561) 588-4780 - fax

[EMS NC](#)

1-800-343-8154
(704) 391-2267 - fax

[EMS TX](#)

1-800-996-6061
(281) 656-2297 - fax

[EMS MO](#)

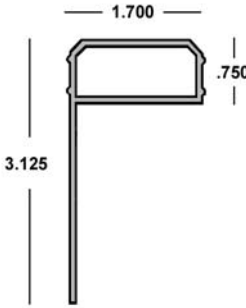
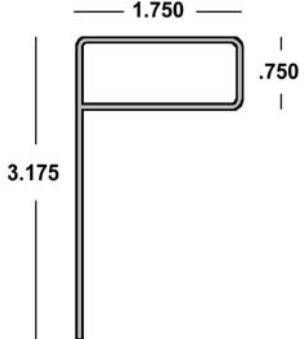
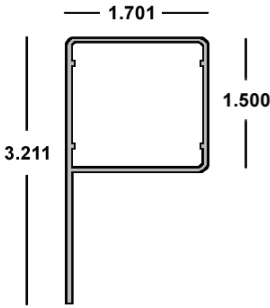
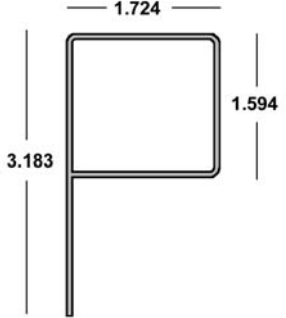
1-888-822-6061
(314) 344-3349 - fax

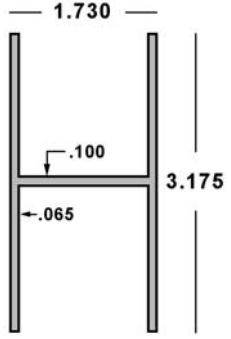
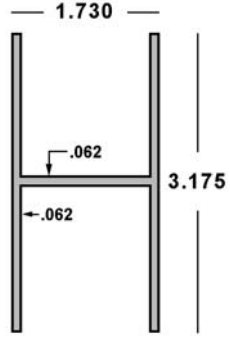
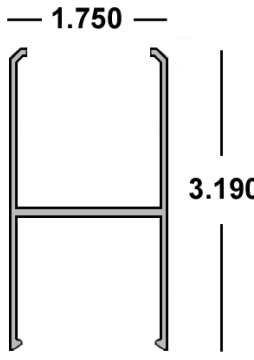
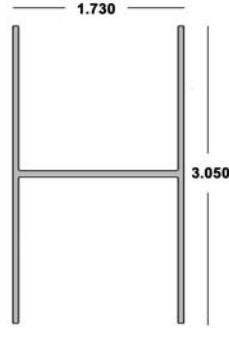
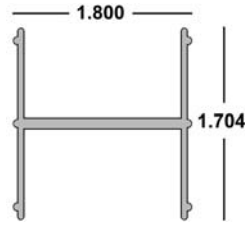
Additional Locations: West Palm Beach & Lakeland, FL; Newark, DE and Birmingham, AL

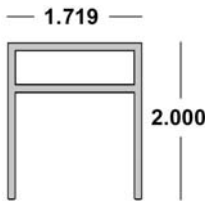
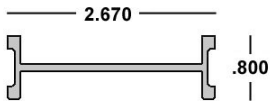
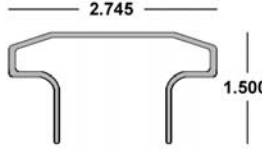
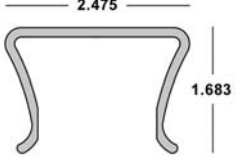
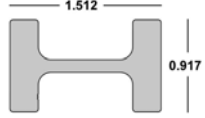
website: www.easternmetal.com

e-mail: info@easternmetal.com

version: 04/10/12

<p>PK-Stiffener x 24' for 2" x 3-1/2" Rail Regular Wall 65-63-023 (NC/TX/MO) 65-63-050 (x 8' NC/DE) Heavy Duty Wall 65-63-018 (NC/DE)</p> 	<p>P-Stiffener x 24' for 2" x 3-1/2" Rail 65-63-009</p> 	<p>PV-Stiffener x 24' for 2" x 3-1/2" Rail 65-63-913 (NC/DE) (fits some T-Top Rails)</p> 	<p>PW Stiffener x 24' for 2" x 3-1/2" Rail 65-63-063 (MO) 65-63-068 (NC/DE)</p> 
--	--	--	---

<p>H-Stiffener x 24' for 2" x 3-1/2" Rail 65-63-006</p> 	<p>H-LT Stiffener x 24' for 2" x 3-1/2" Rail 65-63-084</p> 	<p>H- K BCA Stiffener x 24' for 2" x 3-1/2" Rail 65-63-040 (NC/DE)</p> 	<p>H-E Stiffener for 2" x 3-1/2" Rail Mill Order</p> 	<p>HV-Stiffener for 2" x 7" Rail; some 2" x 6" Rails x 24' 65-63-007 (NC/MO/DE) x 8' 65-63-061 (TX)</p> 
---	--	--	--	--

<p>Top Rail Stiffener x 24' (A-PL) also for some 2" x 8" applications 65-05-048 (NC/DE)</p> 	<p>HL Top Rail x 24' 65-63-044 (MO*) 6063-T6</p> 	<p>OT "Q" Top Rail Stiffener x 24' 65-63-047 (NC/DE) 6063-T6</p> 	<p>Sculptured Top Rail Stiffener x 24' (OT -BL) 65-63-045 (MO*) 6063-T6</p> 	<p>OT "H" Top Rail Stiffener x 24' 65-05-046 (NC/MO/DE) 6005-T5</p> 
--	---	---	--	--

Fence & Wall 03



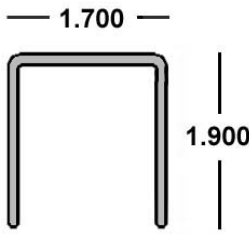

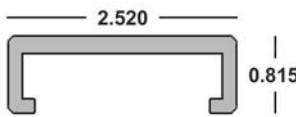
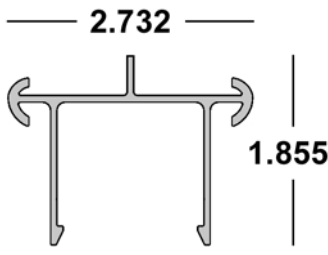
EMS FL
1-800-432-2204
(561) 588-4780 - fax

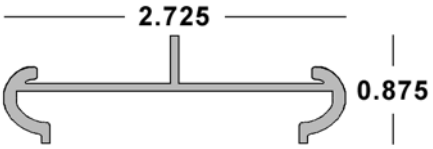
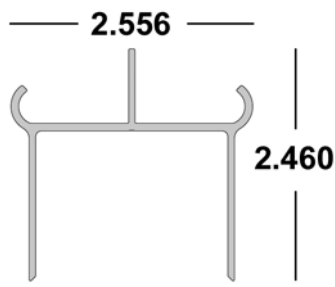
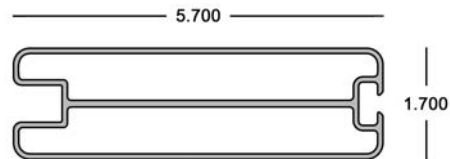
EMS NC
1-800-343-8154
(704) 391-2267 - fax

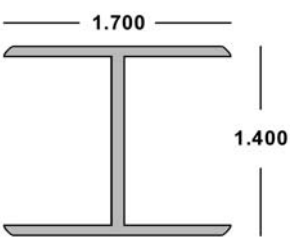
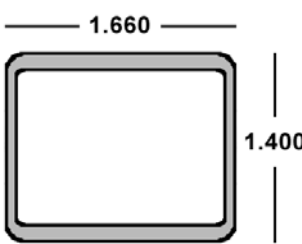
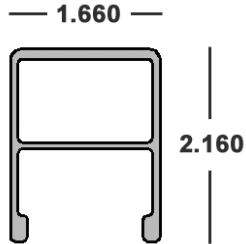
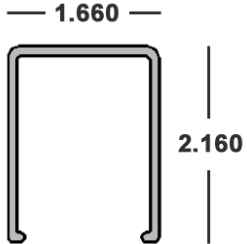
EMS TX
1-800-996-6061
(281) 656-2297 - fax

EMS MO
1-888-822-6061
(314) 344-3349 - fax

Eastern Metal Supply
Quality Shapes In Aluminum
Additional Locations: West Palm Beach & Lakeland, FL and Newark, DE
website: www.easternmetal.com **e-mail:** info@easternmetal.com **version:** 06/29/11

<p>Top Rail Stiffener x 24' (MES/ALZ) 65-05-039 (NC/MO*) 6005-T5 <i>also for 2x3.5 webbed rail</i></p> 	<p>Top Rail Stiffener x 24' (WALZ) 65-63-027 (NC)</p> 	<p>Top Rail Stiffener (LP) 13-63-276 x 8' (MO) 13-63-277 x 10' (MO) 13-63-377 x 24' (TX)</p> 	<p>Contoured Top Rail (KHR REV) Mill Order 6105-T5</p> 
---	--	--	---

<p>Contoured Top Rail (KHR Insert) 65-63-035 (NC*) 6105-T5</p> 	<p>YK Stiffener x 24' 65-63-057 (NC) 6063-T5</p> 	<p>2 x 6 WT Pergola Stiffener x 16' 65-63-052 <i>for 2 x 6 Rails</i></p> 
---	--	--

<p>BLACKline Fence I-Stiffener 6': 65-63-028 (MO*) 8': 65-63-029 (MO*) <i>for 2" x 4" Ribbed Rail</i></p> 	<p>BLACKline Tubular Guard Rail Stiffener 6': 65-63-030 (MO*) 8': 65-63-031 (MO*) <i>for 2" x 4" Ribbed Rail</i></p> 	<p>BLACKline Guard Rail Stiffener 6': 65-63-041 (Mill Order) 8': 65-63-042 (Mill Order) <i>for 2" x 2-1/2"</i></p> 	<p>BLACKline U-Support Stiffener 6': 65-63-039 (MO*) 8': 65-63-038 (MO*) <i>for 2" x 2-1/2"</i></p> 
--	--	---	---

Fence & Wall 04



EMS FL	EMS NC	EMS TX	EMS MO
1-800-432-2204	1-800-343-8154	1-800-996-6061	1-888-822-6061
(561) 588-4780 - fax	(704) 391-2267 - fax	(281) 656-2297 - fax	(314) 344-3349 - fax

Eastern Metal Supply
Quality Shapes In Aluminum

Additional Locations: West Palm Beach & Lakeland, FL and Newark, DE
[website: www.easternmetal.com](http://www.easternmetal.com) [e-mail: info@easternmetal.com](mailto:info@easternmetal.com) [version: 06/30/09](#)