

Eastern Metal Supply

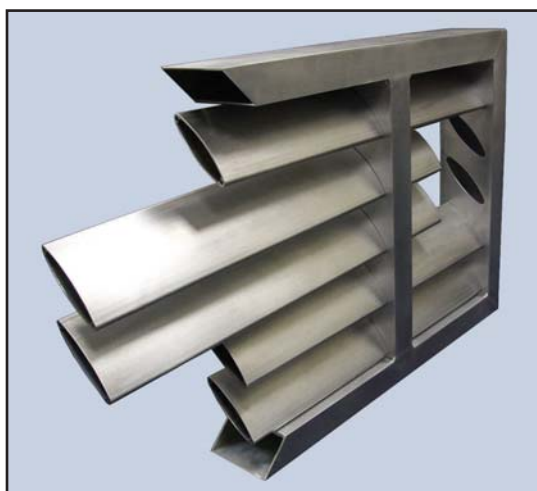
Pre-Fabricated Sunshade System - ready-to-assemble

Available mitered or square cut with pre-punched holes
Rectangular Tube or Bar Frames & Air Foil Blades from 2" to 12"

- **Fast Assembly** • **Increased Strength** • **Minimal Welding**
for a **Clean Look** • **Fewer Parts, Less Inventory**



Mitered side frames with blades through center mullion



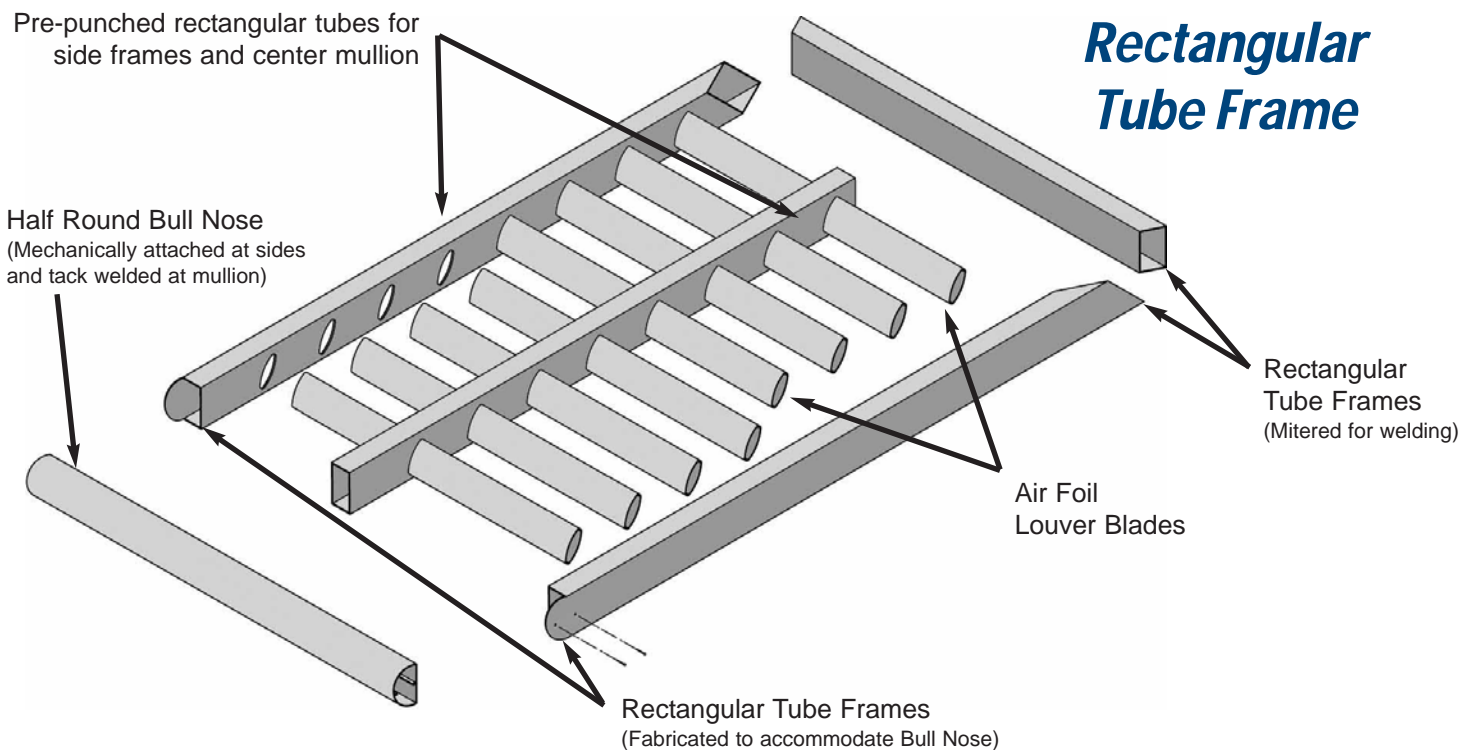
Pre-Fabricated Flat Bar Outriggers and Mullions

Eastern Metal Supply

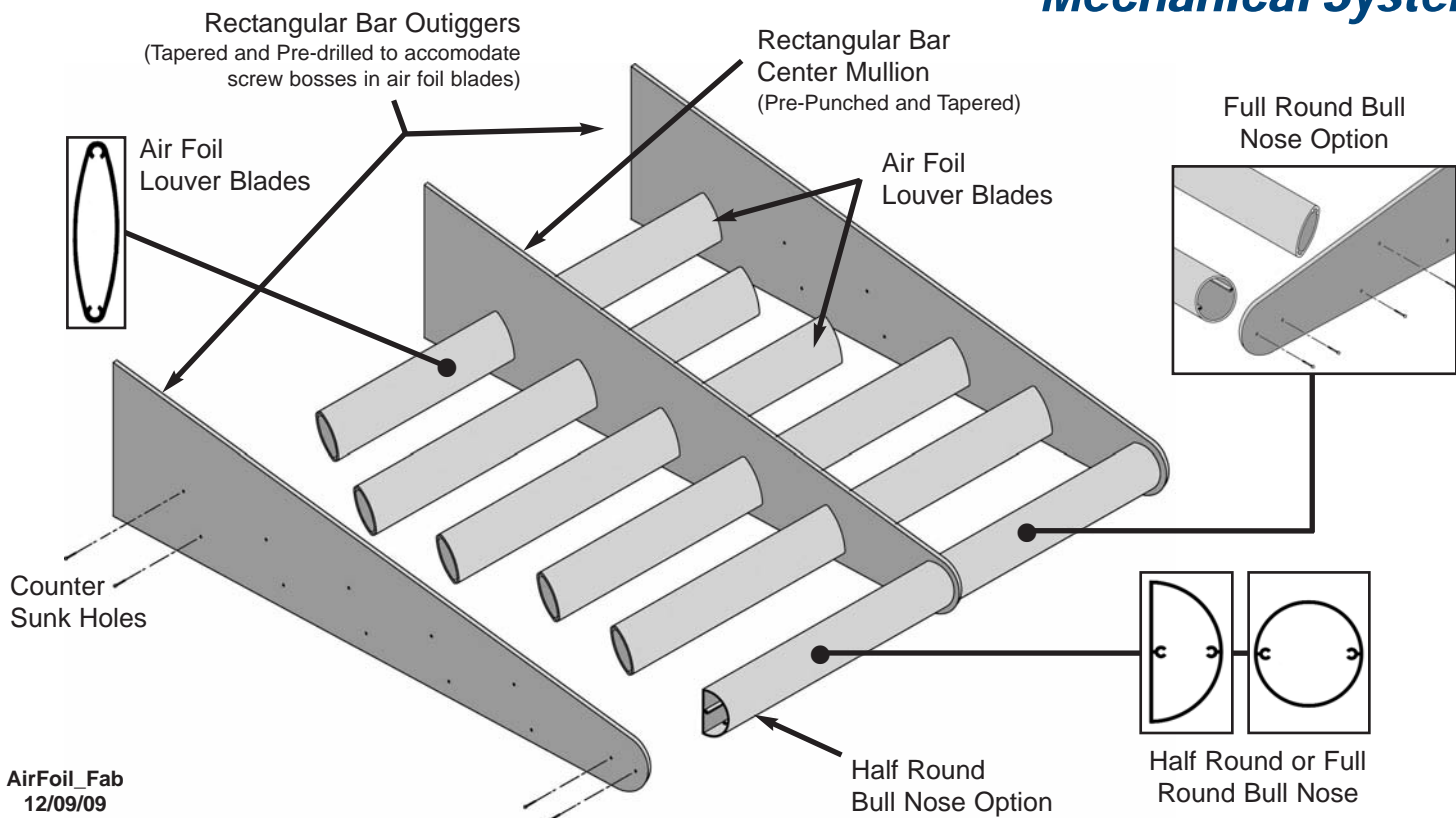
Pre-Fabricated Sunshade System - ready-to-weld or mechanically join

Available mitered or square cut with pre-punched holes

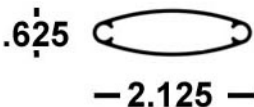

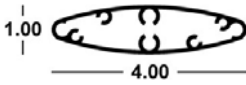
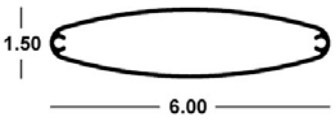
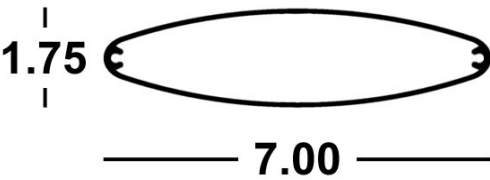

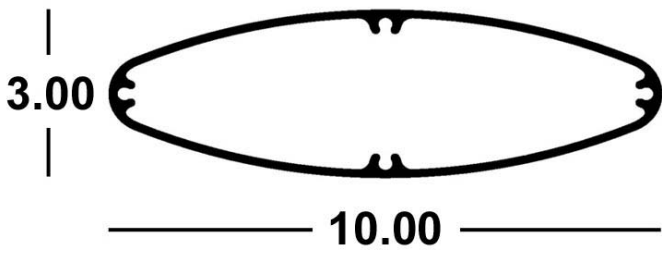
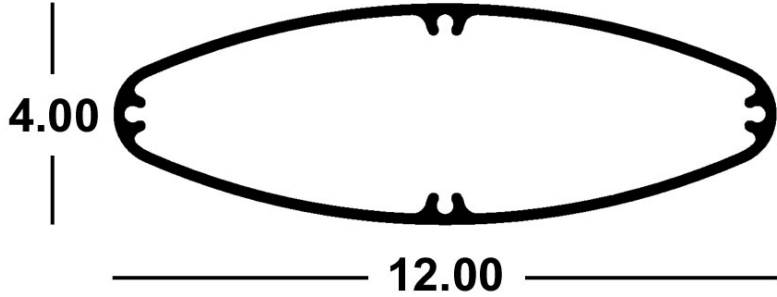

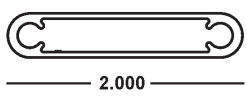
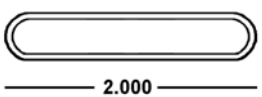
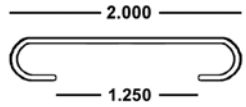
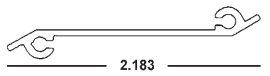
Rectangular Tube or Rectangular Bar Frames & Air Foil Blades from 2" to 12"



Mechanical System



Sunshade System / Air Foil

<p>2-1/8" Air Foil x 16' 56-63-200 (FL)</p> 	<p>4" Air Foil x 24' 56-63-400 Wall: .080</p>  <p>52-63-1010 (MO) Wall: .080</p> 	<p>6" Air Foil x 24' 52-63-1020 (MO) Wall: .085 56-63-600 (FL) Mill Order x 20' 21929-940 (TX) Mill Order x 24' 21929-876 (TX)</p> 	
<p>7" Air Foil Mill Order</p> 	<p>8" Air Foil x 24' 56-63-800 (FL) Wall: .100</p> 		
<p>10" Air Foil Mill Order Wall: .125</p> 			
<p>12" Air Foil Mill Order (21929-461-TX) Wall: .188</p> 			<p>Scan QR Code to view Architectural section online:</p> 
<p>2" Hollow Blade x 16' 80-MF-013 Mill Finish uses #14 screw</p> 	<p>2" Hollow Blade x 16' 41-63-830 Mill Finish</p> 	<p>2" Blade x 16' 41-63-835 Mill Finish</p> 	<p>2" Solid Blade x 20' 52-63-4696 Mill Finish 52-63-3060 White</p> 

Architectural 01



Eastern Metal Supply
Quality Shapes In Aluminum

EMS FL

1-800-432-2204
(561) 588-4780 - fax

EMS NC

1-800-343-8154
(704) 391-2267 - fax

EMS TX

1-800-996-6061
(281) 656-2297 - fax

EMS MO

1-888-822-6061
(314) 344-3349 - fax

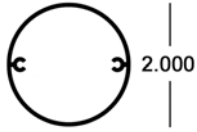
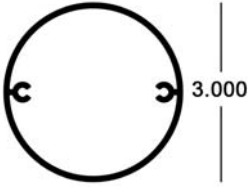
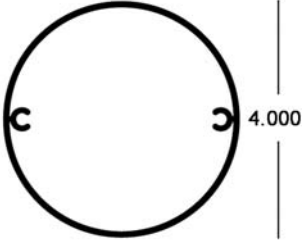
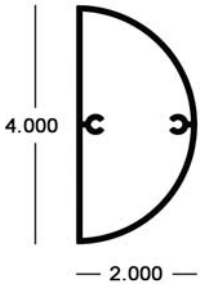
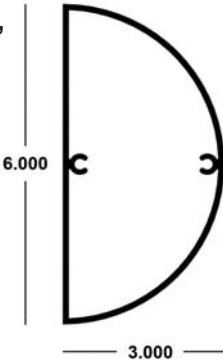
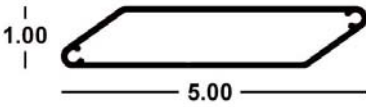
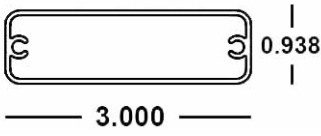
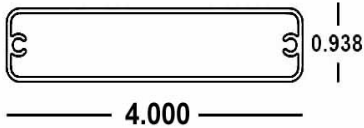
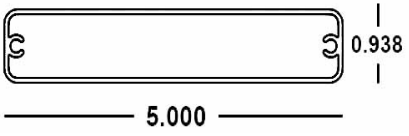
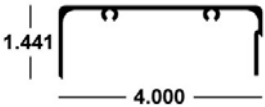
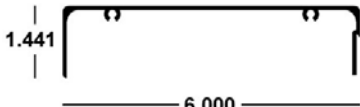
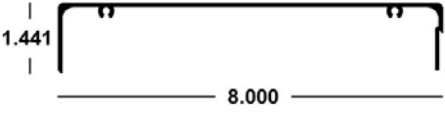
Additional Locations: West Palm Beach & Lakeland, FL; Newark, DE and Birmingham, AL

website: www.easternmetal.com

e-mail: info@easternmetal.com

version: 01/13/12

Sunshade System / Air Foil

<p>2" Full Round Bull Nose Mill Order</p> 	<p>3" Full Round Bull Nose x 24' 56-63-201 (FL) Wall: .083</p> 	<p>4" Full Round Bull Nose x 24' 56-63-204 (FL) Wall: .093</p> 
<p>4" Half Round Bull Nose x 24' 56-63-202 (FL) Wall: .083</p> 	<p>6" Half Round Bull Nose x 24' 56-63-205 (FL) Wall: .100</p> 	<p>5" Shadow Box x 24' 56-63-905 (FL) 6063 T6 M/F Wall: .080</p> 
<p>3" Radius Tube x 24' 40-63-722 6063 T6 M/F (for louvers)</p> 	<p>4" Radius Tube x 24' 40-63-724 6063 T6 M/F (for louvers)</p> 	<p>5" Radius Tube x 24' 40-63-723 6063 T6 M/F (for louvers)</p> 
<p>4" Self-Mating Channel Mill Order (52-63-420-TX) Wall: .080 <i>Measures out to 2" x 4" when mated</i></p> 	<p>6" Self-Mating Channel Mill Order (52-63-622-TX) Wall: .080 <i>Measures out to 2" x 6" when mated</i></p> 	<p>8" Self-Mating Channel Mill Order (52-63-11390-FL) Wall: .080 <i>Measures out to 2" x 8" when mated</i></p> 

Pre-Fabricated framing items are also available. Ask your sales representative for more information.

Architectural 02



Eastern Metal Supply
Quality Shapes In Aluminum

EMS FL

1-800-432-2204
(561) 588-4780 - fax

EMS NC

1-800-343-8154
(704) 391-2267 - fax

EMS TX

1-800-996-6061
(281) 656-2297 - fax

EMS MO

1-888-822-6061
(314) 344-3349 - fax

Additional Locations: West Palm Beach & Lakeland, FL; Newark, DE and Birmingham, AL

website: www.easternmetal.com

e-mail: info@easternmetal.com

version: 10/17/11