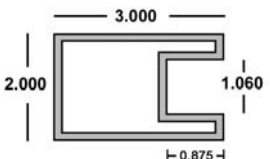
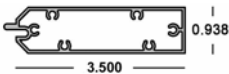
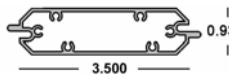
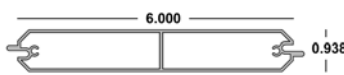


# Eastern Metal Supply



## Welded Enclosure/Fence & Gate Systems; Privacy & Sound Barriers

### Multi-slat .938 Tongue and Groove System (3.5" and 6" slats)

|   |  |  |   |
|---|--|--|---|
| <p>2" x 3" Rectangular Post Frame<br/><b>52-63-7983 (FL)</b><br/>Accepts 40-63-728, 40-63-727, 41-63-729</p>  | <p>0.938" x 3.5" Tongue &amp; Groove Starter x 24'<br/><b>40-63-728 (FL)</b> Mates with 40-63-727, 41-63-729; Fits 52-63-7983</p>  | <p>0.938" x 3.5" Tongue &amp; Groove Slat x 24'<br/><b>40-63-727 (FL)</b> - self mating<br/>Also mates with 40-63-728, 41-63-729; Fits 52-63-7983</p>  | <p>0.938" x 6" Tongue &amp; Groove Slat x 24'<br/><b>41-63-729 (FL)</b> - self mating<br/>Also mates with 40-63-727, 40-63-728; Fits 52-63-7983</p>  |
|---|--|--|---|

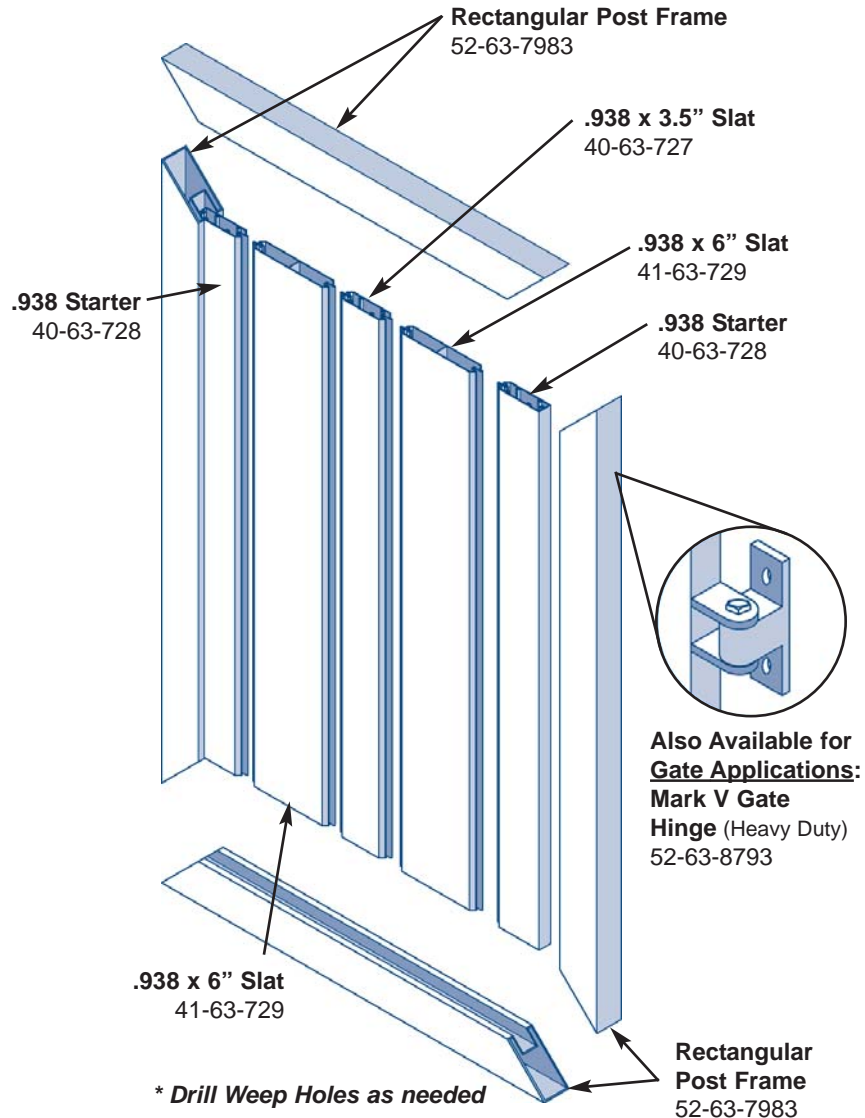
### Features and Benefits:

- Sturdy Self-Mating & Interlocking panels
- Versatile products give a variety of fabrication options
- Tongue & Groove System can be used for total privacy
- Can mix multiple width slats to achieve unique designs

### Applications:

- Commercial Dumpster Enclosures
- Industrial Air Conditioning Enclosures
- Residential or Commercial Gates and Fencing

Screw receivers can be utilized for different applications.



**Eastern Metal Supply**  
Quality Shapes In Aluminum

**EMS FL**  
1-800-432-2204  
(561) 588-4780 - fax

**EMS NC**  
1-800-343-8154  
(704) 391-2267 - fax

**EMS TX**  
1-800-996-6061  
(281) 656-2297 - fax

**EMS MO**  
1-888-822-6061  
(314) 344-3349 - fax

**Additional Locations:** West Palm Beach & Lakeland, FL and Newark, DE

**website:** [www.easternmetal.com](http://www.easternmetal.com)

**e-mail:** [info@easternmetal.com](mailto:info@easternmetal.com)

**Enclosure\_Fence 01/14/11**

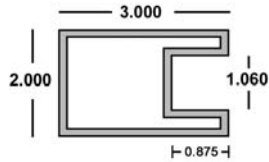
# Eastern Metal Supply



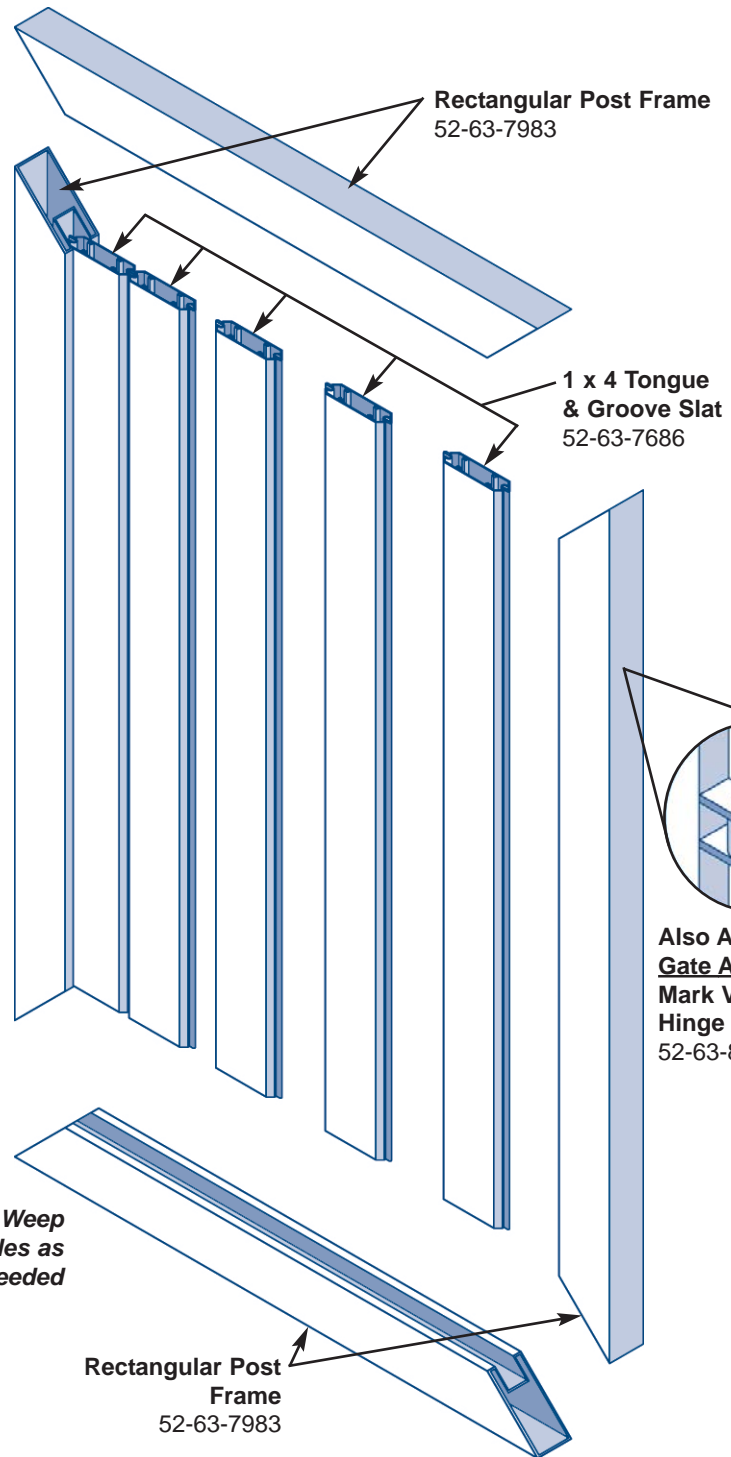
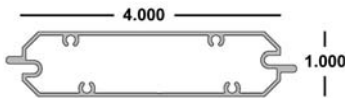
## Welded Enclosure/Fence & Gate Systems; Privacy & Sound Barriers

### Single Slat 1 x 4 Tongue & Groove System

2" x 3" Rectangular Post Frame  
52-63-7983 (FL) Accepts 52-63-7686



1" x 4" Tongue & Groove Slat x 21'  
52-63-7686 (FL) - self mating Fits 52-63-7983



Also Available for  
**Gate Applications:**  
Mark V Gate  
Hinge (Heavy Duty)  
52-63-8793

#### Features and Benefits:

- Sturdy Self-Mating & Interlocking panels
- Tongue & Groove System can be used for total privacy

#### Applications:

- Commercial Dumpster Enclosures
- Industrial Air Conditioning Enclosures
- Residential or Commercial Gates and Fencing

Screw receivers can be utilized for different applications.



Eastern Metal Supply  
Quality Shapes In Aluminum

EMS FL  
1-800-432-2204  
(561) 588-4780 - fax

EMS NC  
1-800-343-8154  
(704) 391-2267 - fax

EMS TX  
1-800-996-6061  
(281) 656-2297 - fax

EMS MO  
1-888-822-6061  
(314) 344-3349 - fax

**Additional Locations:** West Palm Beach & Lakeland, FL and Newark, DE

**website:** [www.easternmetal.com](http://www.easternmetal.com)

**e-mail:** [info@easternmetal.com](mailto:info@easternmetal.com)

**Enclosure\_Fence 01/14/11**

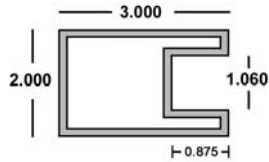
# Eastern Metal Supply



## Welded Enclosure/Fence & Gate Systems; Privacy & Sound Barriers

### Self Mating Vented Slat System

2" x 3" Rectangular Post Frame  
**52-63-7983 (FL)** Accepts 65-63-100



Vented Wall Panel x 16'6"  
**65-63-100 Mill Finish - self mating**  
 Fits 52-63-7983



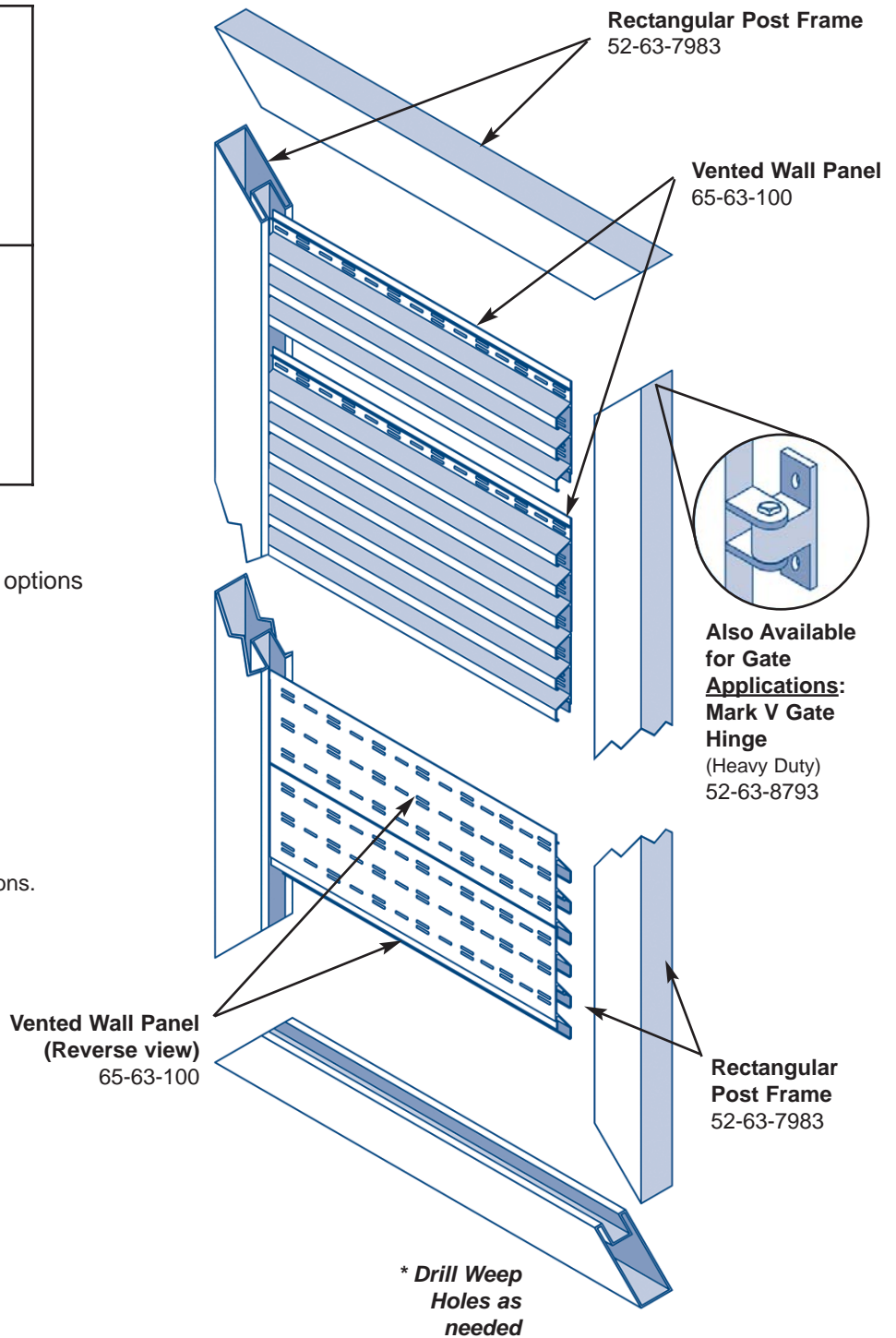
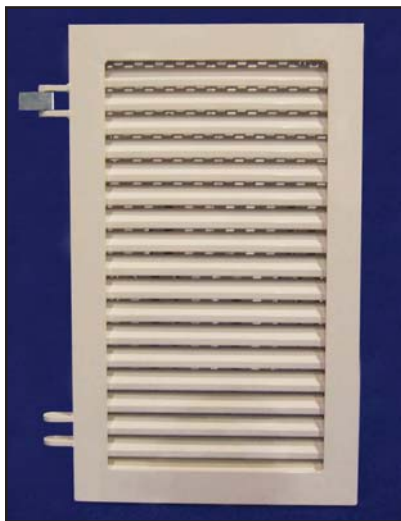
#### Features and Benefits:

- Sturdy Self-Mating & Interlocking panels
- Versatile products give a variety of fabrication options
- Vented System utilizes pre-punched vents to allow air flow

#### Applications:

- Commercial Dumpster Enclosures
- Industrial Air Conditioning Enclosures
- Residential or Commercial Gates and Fencing

Screw receivers can be utilized for different applications.



**Eastern Metal Supply**  
 Quality Shapes In Aluminum

**EMS FL**  
 1-800-432-2204  
 (561) 588-4780 - fax

**EMS NC**  
 1-800-343-8154  
 (704) 391-2267 - fax

**EMS TX**  
 1-800-996-6061  
 (281) 656-2297 - fax

**EMS MO**  
 1-888-822-6061  
 (314) 344-3349 - fax

**Additional Locations:** West Palm Beach & Lakeland, FL and Newark, DE

**website:** [www.easternmetal.com](http://www.easternmetal.com)

**e-mail:** [info@easternmetal.com](mailto:info@easternmetal.com)

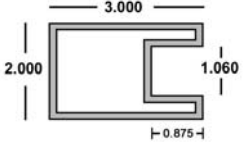
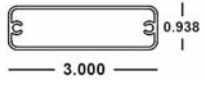
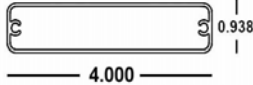
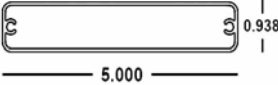
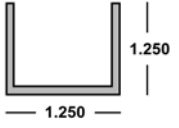
**Enclosure\_Fence 01/14/11**

# Eastern Metal Supply



## Welded Enclosure/Fence & Gate Systems; Privacy & Sound Barriers

### Radius Tube System 3", 4" or 5" slats

|  |   |   |  |  |
|--|---|---|--|--|
| <p>2" x 3" Rectangular Post Frame<br/>52-63-7983 (FL)<br/>Accepts 40-63-722, 40-63-724, 40-63-723</p>  | <p>3" Radius Tube x 24'<br/>40-63-722 6063<br/>T6 M/F<br/>Fits 52-63-7983</p>  | <p>4" Radius Tube x 24'<br/>40-63-724 6063 T6<br/>M/F<br/>Fits 52-63-7983</p>  | <p>5" Radius Tube x 24'<br/>40-63-723 6063<br/>T6 M/F<br/>Fits 52-63-7983</p>  | <p>End Cap - Arch. Channel<br/>13-63-230 6063 T5 M/F<br/>1-1/4 x 1-1/4 x 1/8 x 20'</p>  |
|--|---|---|--|--|

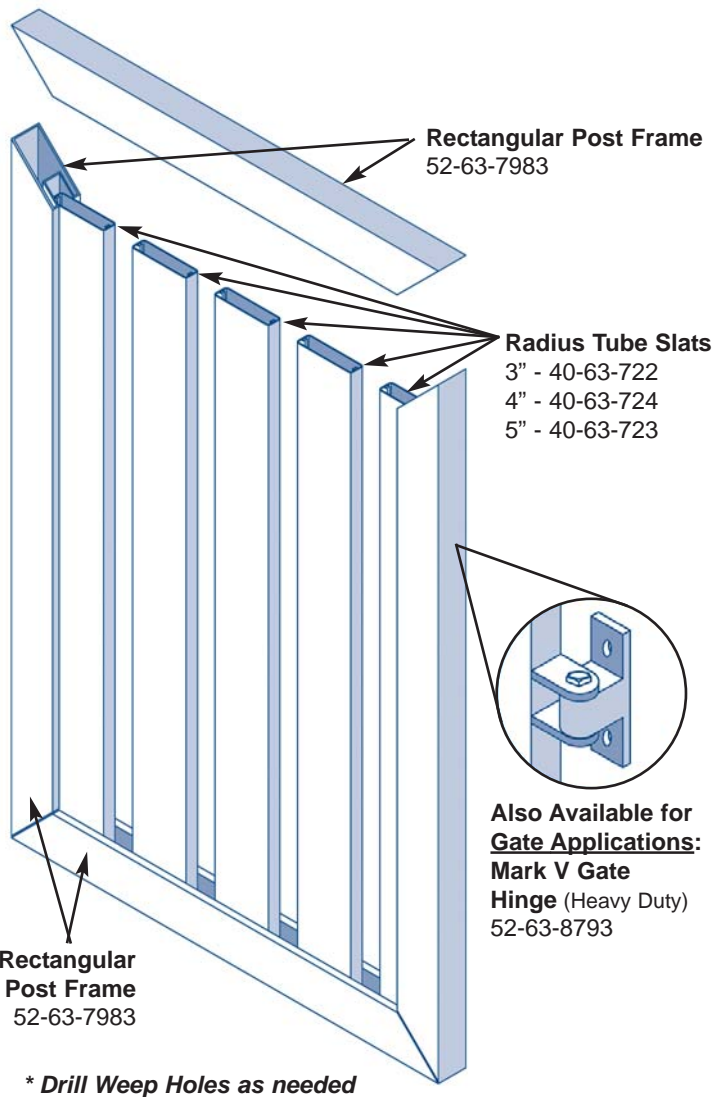
#### Features and Benefits:

- Versatile products give a variety of fabrication options
- Radius Tube System utilizes spacing to create views and air flow
- System utilizes same slats as EMS Board & Batten Colonial Shutter

#### Applications:

- Commercial Dumpster Enclosures
- Industrial Air Conditioning Enclosures
- Residential or Commercial Gates and Fencing

Screw receivers can be utilized for different applications.



|   |  |  |  |  |
|---|--|--|--|--|
|  <p><b>Eastern Metal Supply</b><br/>Quality Shapes In Aluminum</p>  | <p><b>EMS FL</b><br/>1-800-432-2204<br/>(561) 588-4780 - fax</p> | <p><b>EMS NC</b><br/>1-800-343-8154<br/>(704) 391-2267 - fax</p> | <p><b>EMS TX</b><br/>1-800-996-6061<br/>(281) 656-2297 - fax</p> | <p><b>EMS MO</b><br/>1-888-822-6061<br/>(314) 344-3349 - fax</p> |
| <p><b>Additional Locations:</b> West Palm Beach &amp; Lakeland, FL and Newark, DE<br/> <b>website:</b> <a href="http://www.easternmetal.com">www.easternmetal.com</a> <b>e-mail:</b> <a href="mailto:info@easternmetal.com">info@easternmetal.com</a> <b>Enclosure_Fence 01/14/11</b></p> |  |  |  |  |

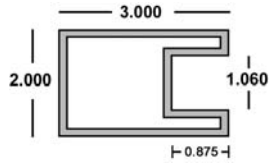
# Eastern Metal Supply



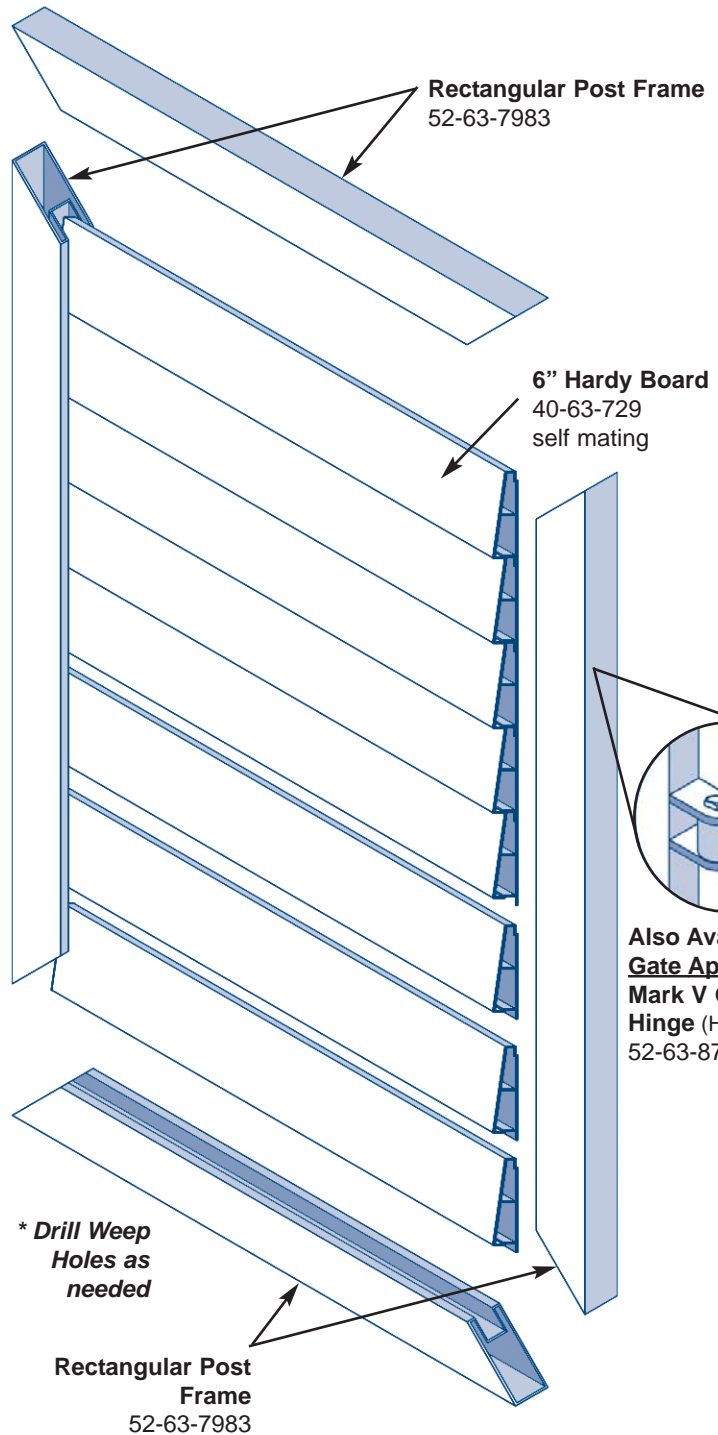
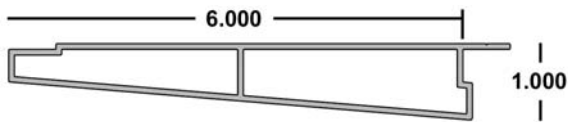
## Welded Enclosure/Fence & Gate Systems; Privacy & Sound Barriers

### Self Mating Hardy Board System

2" x 3" Rectangular Post Frame  
52-63-7983 (FL) Accepts 40-63-729



6" Hardy Plank x 24'  
40-63-729 (FL) Self Mating



#### Features and Benefits:

- Ability to match existing structure's siding
- Sturdy Self-Mating & Interlocking panels

#### Applications:

- Commercial Dumpster Enclosures
- Industrial Air Conditioning Enclosures
- Residential or Commercial Gates and Fencing



Eastern Metal Supply  
Quality Shapes In Aluminum

EMS FL  
1-800-432-2204  
(561) 588-4780 - fax

EMS NC  
1-800-343-8154  
(704) 391-2267 - fax

EMS TX  
1-800-996-6061  
(281) 656-2297 - fax

EMS MO  
1-888-822-6061  
(314) 344-3349 - fax

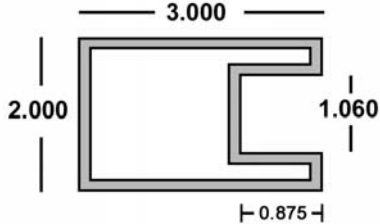
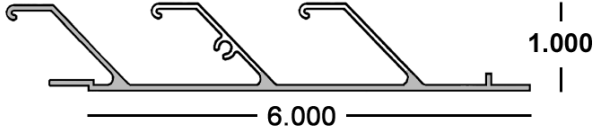
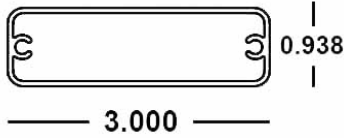
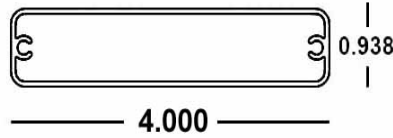
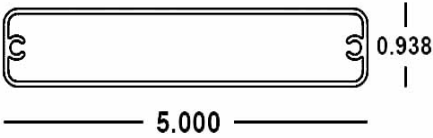
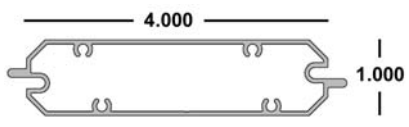
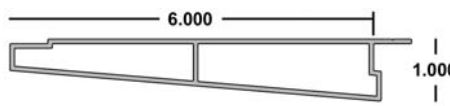
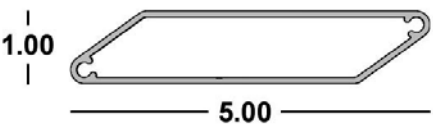
**Additional Locations:** West Palm Beach & Lakeland, FL and Newark, DE

**website:** [www.easternmetal.com](http://www.easternmetal.com)

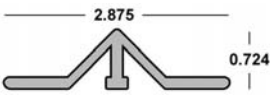
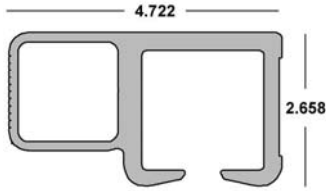
**e-mail:** [info@easternmetal.com](mailto:info@easternmetal.com)

**Enclosure\_Fence 01/14/11**

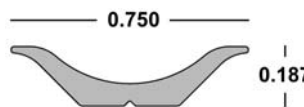
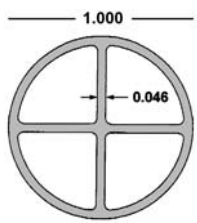
**Welded Enclosure/Fence & Gate Systems; Privacy & Sound Barriers**  
**Single Slat 1 x 4 Tongue & Groove System; Self Mating Vented Slat System**  
**Radius Tube System - 3", 4" or 5" slats - Schematics available upon request**

|   |  |   |
|---|--|---|
| <p>2" x 3" Rectangular Post Frame x 24'<br/> <b>52-63-7983 (FL)</b> Accepts 52-63-7686, 65-63-100,<br/>         40-63-722, 40-63-724, 40-63-723</p>  | <p>Vented Wall Panel x 16'6"<br/> <b>65-63-100 Mill Finish - self mating; Fits 52-63-7983</b></p>  |   |
| <p>3" Radius Tube x 24'<br/>         40-63-722 6063 T6 M/F<br/>         Fits 52-63-7983</p>    | <p>4" Radius Tube x 24'<br/>         40-63-724 6063 T6 M/F<br/>         Fits 52-63-7983</p>         | <p>5" Radius Tube x 24'<br/>         40-63-723 6063 T6 M/F<br/>         Fits 52-63-7983</p>  |
| <p>1" x 4" Tongue &amp; Groove Slat x 21'<br/>         52-63-7686 (FL) - self mating<br/>         Fits 52-63-7983</p>                               | <p>6" Hardy Plank x 24'<br/> <b>40-63-729</b></p>   | <p>5" Shadow Box x 24'<br/> <b>56-63-905 (FL)</b> 6063 T6 M/F<br/>         Wall: .080</p>  |

**Gate Extrusions**

|  |   |
|--|---|
| <p>V Gate Track x 20'<br/> <b>52-63-12021</b></p>  | <p>Combo Gate Track x 31'<br/> <b>52-63-12293</b></p>  |
|--|---|

**Baby Pool Fencing**

|   |   |
|---|---|
| <p>Baby Pool Fencing Cove Molding x 49"<br/> <b>52-63-11101 Black</b><br/> <b>52-63-11102 White</b><br/> <b>52-63-6137 White</b></p>  | <p>Baby Pool Fencing Heavy X-Pole x 54"<br/> <b>52-63-11103 Black</b><br/> <b>52-63-11104 White</b><br/> <b>52-63-11105 Mill Finish</b></p>  |
|---|---|

Fence & Wall 06



**Eastern Metal Supply**  
 Quality Shapes In Aluminum

[EMS FL](#)

1-800-432-2204  
 (561) 588-4780 - fax

[EMS NC](#)

1-800-343-8154  
 (704) 391-2267 - fax

[EMS TX](#)

1-800-996-6061  
 (281) 656-2297 - fax

[EMS MO](#)

1-888-822-6061  
 (314) 344-3349 - fax

**Additional Locations:** West Palm Beach & Lakeland, FL and Newark, DE

**website:** [www.easternmetal.com](http://www.easternmetal.com)

**e-mail:** [info@easternmetal.com](mailto:info@easternmetal.com)

**version:** 03/04/11