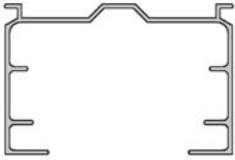
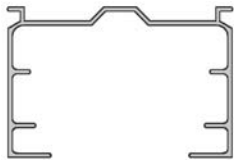
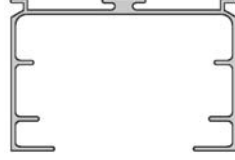
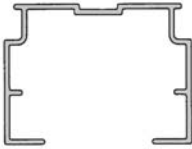
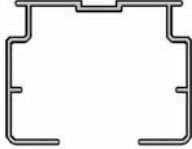
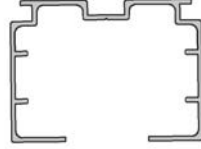
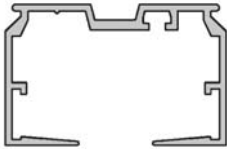
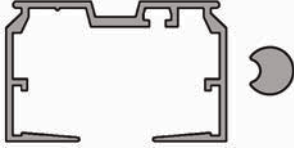





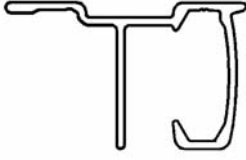



VERTICAL BLIND TRACK & PINION GEAR

All items stocked at EMS FL can be shuttled to all locations

<p>Standard V-Top x 16' (.039" Wall) Used with 3 Prong & 8 Prong Pinion 22-63-130A Anodized 20 pc bundle</p> 	<p>Lite V-Top x 16' Used with 3 Prong & 8 Prong Pinion MILL ORDER 52-63-1636 20 pc bundle</p> 	<p>Heavy T-Top x 16' (.042" Wall) Used with 3 Prong & 8 Prong Pinion 22-63-150 Anodized 20 pc bundle</p> 
<p>Heavy V-3000 x 20' (.045" Wall) Used with 4 Prong Pinion 22-63-458 (NC/MO) Anodized 51-63-588A Anodized 20 pc bundles</p> 	<p>German x 20' (.042" Wall) Used with 4 Prong Pinion MILL ORDER 22-63-414 (MO) 20 pc bundle</p> 	<p>EMS-1 (.042" Wall) Used with EMS-2 Pinion 22-63-255 Anodized x 20' 23-88-011 (NC) Anodized x 16' 20 pc bundles</p> 
<p>Decomatic x 20' (.045" Wall) Used with Decomatic Pinion 23-63-115 Anodized 22-63-115 (MO) Anodized 20 pc bundles</p> 	<p>Decomatic Track & Pinion Combo 23-63-115TP (NC/MO/DE) 14 pc bundle</p> 	<p>Decomatic Pinion Gear x 20' Used with Decomatic Track 23-63-110 Mill Finish 100 pc bundle</p> 
<p>3 Prong Pinion Gear x 16' Used with Standard V-Top, and Heavy T-Top Track 23-63-103 Mill Finish 100 pc bundle</p> 	<p>4 Prong Pinion Gear x 20' Used with Heavy V-3000, German 51-63-821 Mill Finish 23-63-240 (NC/MO) Mill Finish 100 pc bundles</p> 	<p>8 Prong Pinion Gear x 16' Used with Standard V-Top, and Heavy T-Top Track 23-63-107 Mill Finish 100 pc bundle</p> 
<p>EMS-2 Pinion Gear x 20' Used with EMS-1 Track 23-63-165 Anodized MILL ORDER 88-00-327 (NC) Mill Finish 100 pc bundle</p> 	<p>Curtain Track 9809 MILL ORDER</p> 	<p>Additional items available. Please contact your local EMS Sales Representative.</p> <p>Scan QR Code to view Window Treatments section online:</p> 

Window Treatment 01



EMS FL

1-800-432-2204
(561) 588-4780 - fax

EMS NC

1-800-343-8154
(704) 391-2267 - fax

EMS TX

1-800-996-6061
(281) 656-2297 - fax

EMS MO

1-888-822-6061
(314) 344-3349 - fax

Eastern Metal Supply

Quality Shapes In Aluminum


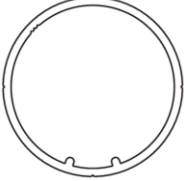
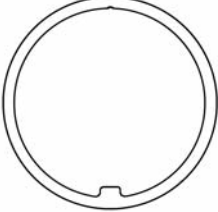

Additional Locations: West Palm Beach & Lakeland, FL; Newark, DE and Birmingham, AL

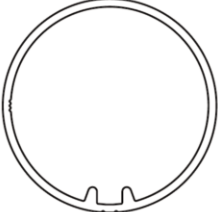
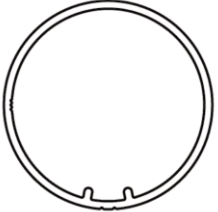
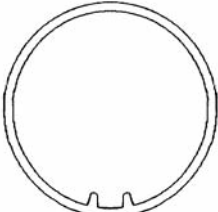
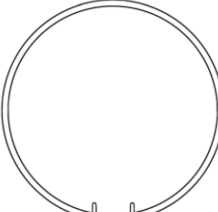
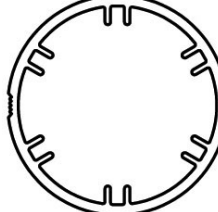
website: www.EasternMetal.com

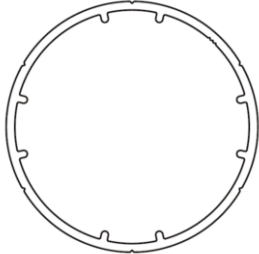
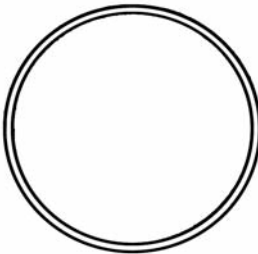
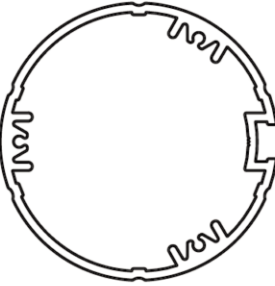
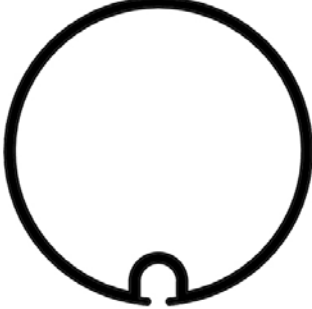
e-mail: info@EasternMetal.com

version: 12/30/16

ROLLER TUBE

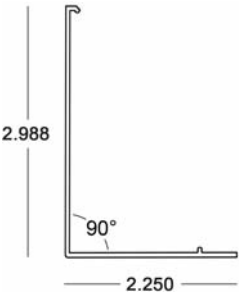
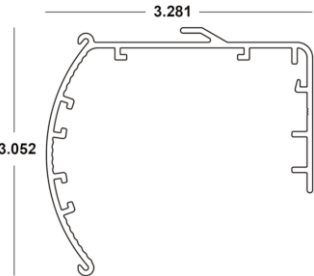
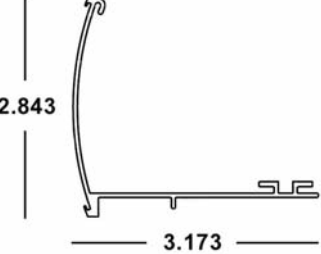
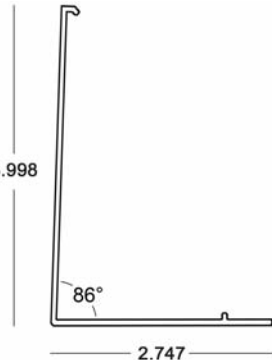
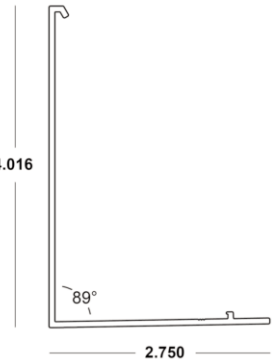

<p>1" Keyed Roller Tube x 16' 52-63-1050T* (MO) Taped</p> <p>NO Tape Option: MILL ORDER 52-63-1050 (MO)</p> 	<p>1.25" Keyed Roller Tube x 16' 52-63-1290T* Taped</p> <p>NO Tape Option: 52-63-1290 (MO)</p> 	<p>1.25" Keyed Roller Tube x 12' 557-63-002 (MO) NO Tape Mill Finish</p> 	 <p>*1/2" High Performance Double Sided Adhesive Tape</p>
--	--	---	---

<p>1.50" Economy Keyed Roller Tube x 16' Gap Dimension: .188 Internal Leg Height: .124 52-63-1520T* Taped</p> <p>NO Tape Option: 52-63-1520</p> 	<p>1.50" Economy Keyed Roller Tube x 16' Gap Dimension: .281 Internal Leg Height: .081 52-63-1525T* (DE) Taped</p> <p>NO Tape Option: MILL ORDER 52-63-1525 (NC)</p> 	<p>1.50" Heavy Duty Keyed Roller Tube x 12' ID: 1.412 557-63-001 (MO) NO Tape Mill Finish</p> 	<p>1.555" x 1.435" Round Tube x 24' 52-61-3842 NO Tape</p> <p>1.272" x 1.177" Round Tube MILL ORDER 52-61-4119 NO Tape</p> 	<p>1.58" OD 6 Keyed Roller Tube x 12' 307-63-010 (MO) NO Tape Mill Finish</p> 
---	---	---	---	--

<p>2" Keyed Roller Tube 52-63-2000T* x 16' 52-63-2005T* x 24' Taped</p> <p>NO Tape Option: 52-63-2000</p> 	<p>2" x .065 Roller Tube 17-63-142 x 24' NO Tape Mill Finish MILL ORDER 17-63-152 (MO) NO Tape Clear Anodized <i>Other Standard Tubing available in various Sizes; IDs & Lengths</i></p> 	<p>2.50" Keyed Roller Tube 52-63-2565T* x 16' 52-63-2564T* x 24' Taped</p> <p>NO Tape Option: 52-63-2564</p> 	<p>3.162" Roller Tube x 24' 52-61-51271 NO Tape</p> <p style="text-align: center;">————— 3.165 —————</p> 
---	---	---	--

Window Treatment 02

 <p>Eastern Metal Supply Quality Shapes In Aluminum</p>	<p>EMS FL 1-800-432-2204 (561) 588-4780 - fax</p>	<p>EMS NC 1-800-343-8154 (704) 391-2267 - fax</p>	<p>EMS TX 1-800-996-6061 (281) 656-2297 - fax</p>	<p>EMS MO 1-888-822-6061 (314) 344-3349 - fax</p>
<p>Additional Locations: West Palm Beach & Lakeland, FL; Newark, DE; Birmingham, AL; Akron, OH and Van Buren, AR website: www.EasternMetal.com e-mail: info@EasternMetal.com version: 05/18/18</p>				

<p>3" Fascia x 12' 557-WH-003 (MO) White 557-MB-003 (MO) Bronze 3" Fascia x 16' 557-WH-016 White 557-MB-016 Bronze 557-IV-016 Ivory 20 pc. per box (paper layered)</p> 	<p>3" Fascia Cassette x 16' - NEW! 557-WH-019 (NC/DE) White 557-VAN-019 (NC/DE) Vanilla 100 # sub bundles</p> 	<p>Deluxe Vienna x 12' 307-WH-004 (MO) White</p> 
<p>4" Fascia 557-WH-004 (MO) White x 12' 557-WH-017 White x 16' 557-MB-017 Bronze x 16' 557-IV-017 Ivory x 16' 20 pc. per box (paper layered)</p> 	<p>4" RS Fascia x 16' - NEW! 557-WH-021 (NC/DE) White 557-VAN-021 (NC/DE) Vanilla 100 # sub bundles</p> 	<p>4" SL Fascia x 16' - NEW! 557-WH-020 (NC/DE) White 557-VAN-020 (NC/DE) Vanilla 100 # sub bundles</p> 




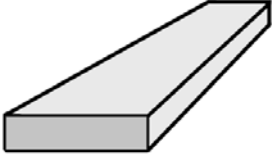
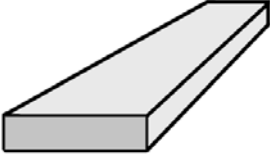
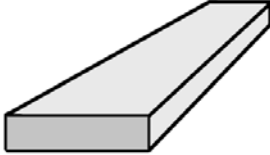

Window Treatment 03



EMS FL	EMS NC	EMS TX	EMS MO
1-800-432-2204	1-800-343-8154	1-800-996-6061	1-888-822-6061
(561) 588-4780 - fax	(704) 391-2267 - fax	(281) 656-2297 - fax	(314) 344-3349 - fax

Eastern Metal Supply Additional Locations: West Palm Beach & Lakeland, FL; Newark, DE; Birmingham, AL; Akron, OH
 Quality Shapes In Aluminum [website: www.EasternMetal.com](http://www.EasternMetal.com) [e-mail: info@EasternMetal.com](mailto:info@EasternMetal.com) [version: 11/01/17](#)

HEM BAR

<p>7/8" Round Hem Bar x 12' 557-BL-004 (MO) Black 557-63-004A1 (MO) Clear Anodized 24 pc. per box (paper interleaved)</p> 	<p>Roller Bottom Hem Bar x 12' 307-WH-001 (MO) White</p> 	<p>1.49 x 0.210 Hem Bar x 20' 52-63-11533 Mill Finish</p> 
<p>1/8 x 1 Bottom Hem Bar 6063-T52 10-63-573 (DE) x 16' 10-63-215 (DE) x 20' 100# paper layered, plastic wrapped sub bundles</p> 	<p>1/8 x 1 Bottom Hem Bar x 12' 10-61-215 6061-T6511 More rigid material</p> 	<p>Bottom Hem Bars Mill Finish Various thicknesses, widths and lengths available: Bar & Rod (Standards pp 1-2)</p> 
<p>1/8 Round Rod x 12' MILL ORDER 14-61-543 (NC) Mill Finish Various sizes available: Bar & Rod (Standards p 4)</p> 		

Window Treatment 04



Eastern Metal Supply
 Quality Shapes In Aluminum

EMS FL

1-800-432-2204
 (561) 588-4780 - fax

EMS NC

1-800-343-8154
 (704) 391-2267 - fax

EMS TX

1-800-996-6061
 (281) 656-2297 - fax

EMS MO

1-888-822-6061
 (314) 344-3349 - fax

Additional Locations: West Palm Beach & Lakeland, FL; Newark, DE and Birmingham, AL

website: www.EasternMetal.com

e-mail: info@EasternMetal.com

version: 02/15/17