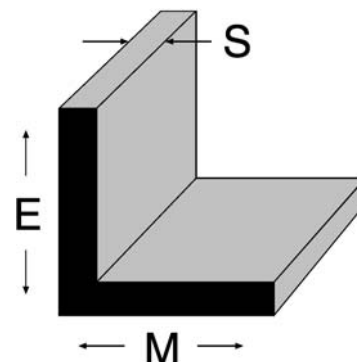


Architectural Aluminum Angle

6063-T5 x 20' Equal Leg

<u>Stock Code</u>	<u>Size in Inches (E x M x S)</u>	<u>Approx. Wt/Lin ft.</u>
11-63-200	1/2 x 1/2 x 1/16	0.069
11-63-205	3/4 x 3/4 x 1/16	0.107
11-63-210	3/4 x 3/4 x 1/8	0.206
11-63-220	1 x 1 x 1/16	0.144
24-63-206	1 x 1 x 1/16 x 24' 6"	0.144
11-63-225	1 x 1 x 1/8	0.276
11-63-230	1 x 1 x 3/16	0.408
11-63-255	1-1/4 x 1-1/4 x 1/8	0.356
11-63-260	1-1/4 x 1-1/4 x 3/16	0.519
11-63-270	1-1/2 x 1-1/2 x 1/16	0.219
11-63-373 (NC)	1-1/2 x 1-1/2 x 1/16	0.219
24-63-216	1-1/2 x 1-1/2 x 1/16 x 24' 6"	0.219
11-63-275	1-1/2 x 1-1/2 x 1/8	0.431
24-63-236	1-1/2 x 1-1/2 x 1/8 x 24' 6"	0.431
11-63-280	1-1/2 x 1-1/2 x 3/16	0.633
11-63-295	1-3/4 x 1-3/4 x 1/8	0.506
11-63-310	2 x 2 x 1/16	0.293
52-63-5805A	2 x 2 x 0.093 x 24' 3"	0.440
11-63-315	2 x 2 x 1/8	0.581
11-63-320	2 x 2 x 3/16	0.859
11-63-325	2 x 2 x 1/4	1.124
11-63-330	3 x 3 x 1/8	0.881
11-63-335	3 x 3 x 1/4	1.725



6063-T5 Unequal Leg

<u>Stock Code</u>	<u>Size in Inches (E x M x S)</u>	<u>Approx. Wt/Lin ft.</u>
11-63-350	1/2 x 1 x 1/8	0.206
Mill Order	1/2 x 1-1/4 x 1/8	0.244
Mill Order	1/2 x 1-1/2 x 1/8	0.281
11-63-351A	1/2 x 1-1/2 x 0.093	0.208
11-63-355	3/4 x 1-1/2 x 1/8	0.319
11-63-269	1 x 1-1/2 x 1/8	0.356
11-63-365	1 x 2 x 1/16	0.218
11-63-370	1 x 2 x 1/8	0.431
11-63-375	1 x 3 x 1/8	0.582
Mill Order	1-1/4 x 2 x 1/16	0.237
11-63-410	1-1/2 x 2 x 1/8	0.506
40-63-128	1-1/2 x 2 x 1/8 x 24' 6"	0.506
11-63-309	1-1/2 x 2 x 3/16	0.731
11-63-390	2 x 3 x 1/8	0.750
11-61-520	2 x 3 x 3/16 x 25'	1.085
11-63-395	2 x 4 x 1/8	0.881
11-63-396	2 x 4 x 1/4	1.725
11-63-405	2 x 5 x 1/8	1.031
11-63-415	2 x 7 x 1/4	2.624

**Mill Order Items: Not in Stock -
Custom Sizes & Lengths Available
- Minimum Order Required**

Standards 09



EMS FL
1-800-432-2204
(561) 588-4780 - fax

EMS NC
1-800-343-8154
(704) 391-2267 - fax

EMS TX
1-800-996-6061
(281) 656-2297 - fax

EMS MO
1-888-822-6061
(314) 344-3349 - fax

Eastern Metal Supply
Quality Shapes In Aluminum

Additional Locations: West Palm Beach & Lakeland, FL and Newark, DE

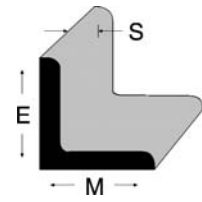
website: www.easternmetal.com

e-mail: info@easternmetal.com

version: 06/17/09

Structural Aluminum Angle

6061-T6 x 25'



Equal Leg

<u>Stock Code</u>	<u>(E x M x S) Size in Inches</u>	<u>Approx. Wt/Lin ft.</u>
Mill Order	3/4 x 3/4 x 1/8	0.201
11-61-205	1 x 1 x 1/8	0.280
11-61-210	1 x 1 x 3/16	0.406
11-61-215	1 x 1 x 1/4	0.514
Mill Order	1-1/4 x 1-1/4 x 1/8	0.343
11-61-225	1-1/4 x 1-1/4 x 3/16	0.522
Mill Order	1-1/4 x 1-1/4 x 1/4	0.656
11-61-235	1-1/2 x 1-1/2 x 1/8	0.440
11-61-240	1-1/2 x 1-1/2 x 3/16	0.640
11-61-245	1-1/2 x 1-1/2 x 1/4	0.830
Mill Order	1-1/2 x 1-1/2 x 3/8	1.176
Mill Order	1-3/4 x 1-3/4 x 1/8	0.497
11-61-255	1-3/4 x 1-3/4 x 3/16	0.744
11-61-260	1-3/4 x 1-3/4 x 1/4	0.980
Mill Order	1-3/4 x 1-3/4 x 3/8	1.378
11-61-265	2 x 2 x 1/8	0.588
11-61-270	2 x 2 x 3/16	0.870
11-61-275	2 x 2 x 1/4	1.110
11-61-280	2 x 2 x 3/8	1.606
Mill Order	2-1/2 x 2-1/2 x 1/8	0.739
11-61-282	2-1/2 x 2-1/2 x 3/16	1.070
11-61-285	2-1/2 x 2-1/2 x 1/4	1.404
Mill Order	2 1/2 x 2 1/2 x 3/8	2.047
11-61-295	3 x 3 x 3/16	1.275
11-61-300	3 x 3 x 1/4	1.730
11-61-305	3 x 3 x 3/8	2.474
Mill Order	3 x 3 x 1/2	3.227
11-61-310	3-1/2 x 3-1/2 x 1/4	1.989
Mill Order	3-1/2 x 3-1/2 x 3/8	2.926
Mill Order	3-1/2 x 3-1/2 x 1/2	3.826
11-61-315	4 x 4 x 1/4	2.350
11-61-320	4 x 4 x 3/8	3.366
11-61-325	4 x 4 x 1/2	4.504
11-61-330	5 x 5 x 3/8	4.237
11-61-335	5 x 5 x 1/2	5.578
11-61-340	6 x 6 x 3/8	5.119
11-61-345	6 x 6 x 1/2	6.754
Mill Order	8 x 8 x 1/2	9.141
Mill Order	8 x 8 x 3/4	13.478

6061-T6 x 25' Unequal Leg

<u>Stock Code</u>	<u>(E x M x S) Size in Inches</u>	<u>Approx. Wt/Lin ft.</u>
Mill Order	1-1/2 x 1 x 1/8	0.356
Mill Order	1-1/2 x 1 x 1/4	0.662
Mill Order	2 x 1-1/2 x 1/8	0.496
Mill Order	2 x 1-1/2 x 3/16	0.731
Mill Order	2 x 1-1/2 x 1/4	0.956
Mill Order	2 x 1-1/2 x 3/8	1.378
11-61-615	2-1/2 x 2 x 3/8	1.828
11-61-620	3 x 2 x 3/16	1.090
11-61-625	3 x 2 x 1/4	1.405
11-61-630	3 x 2 x 3/8	2.046
Mill Order	3 x 2-1/2 x 1/4	1.537
Mill Order	3 x 2-1/2 x 3/8	2.253
11-61-660	3-1/2 x 3 x 1/4	1.842
Mill Order	3-1/2 x 3 x 3/8	2.705
Mill Order	3-1/2 x 3 x 1/2	3.532
11-61-680	4 x 3 x 1/4	1.988
11-61-685	4 x 3 x 3/8	2.926
Mill Order	4 x 3 x 1/2	3.826
11-61-710	5 x 3 x 3/8	3.349
Mill Order	5 x 3 x 1/2	4.396
11-61-735	6 x 4 x 3/8	4.237
11-61-740	6 x 4 x 1/2	5.578
Mill Order	8 x 6 x 1/2	7.952
Mill Order	8 x 6 x 3/4	11.679

Mill Order Items: Not in Stock - Custom Sizes & Lengths Available - Minimum Order Required

Standards 10



EMS FL
1-800-432-2204

(561) 588-4780 - fax

EMS NC
1-800-343-8154

(704) 391-2267 - fax

EMS TX
1-800-996-6061

(281) 656-2297 - fax

EMS MO
1-888-822-6061

(314) 344-3349 - fax

Eastern Metal Supply
Quality Shapes In Aluminum

Additional Locations: West Palm Beach & Lakeland, FL and Newark, DE

website: www.easternmetal.com

e-mail: info@easternmetal.com

version: 04/28/10