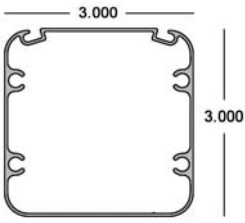
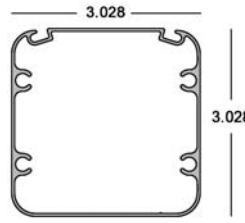
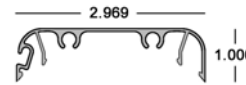
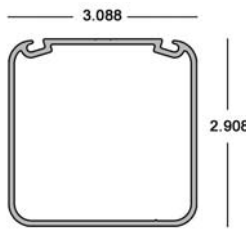
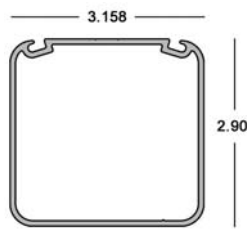
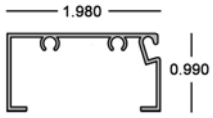
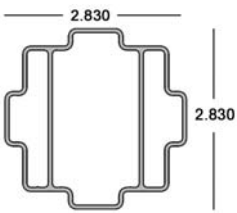
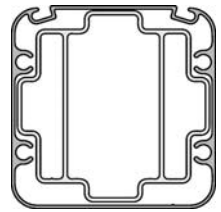
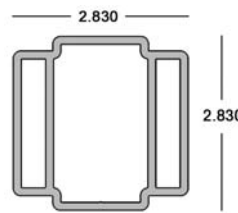
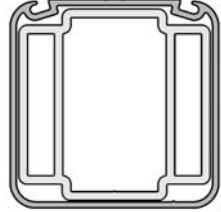
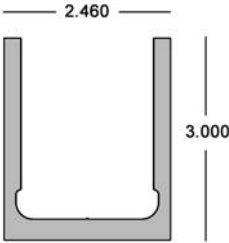
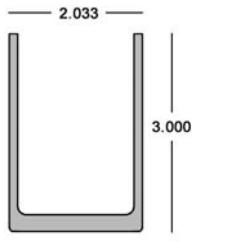
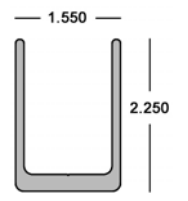


# HV Screen Enclosure System

<p>3 x 3 x .046 HV Screen Frame Mill Order Available in White &amp; Bronze Custom Lengths Available</p>  <p>3.000 3.000</p>	<p>3 x 3 x .060 HV Screen Frame Mill Order Available in White &amp; Bronze Custom Lengths Available</p>  <p>3.028 3.028</p>	<p>1 x 3 Open Back Mill Order Available in White &amp; Bronze Custom Lengths Available</p>  <p>2.969 1.000</p>	<p>3 x 3 x .090 HV Screen Frame w/Grooves Mill Order Available in White &amp; Bronze Custom Lengths Available</p>  <p>3.088 2.908</p>	<p>3 x 3 x .125 HV Screen Frame w/Grooves Mill Order Available in White &amp; Bronze Custom Lengths Available</p>  <p>3.158 2.908</p>
<p>1 x 2 Patio Section Mill Order Available in White &amp; Bronze Custom Lengths Available</p>  <p>1.980 0.990</p>	<p>.060 Tube Insert x 12' Mill Order Available in White &amp; Bronze Custom Lengths Available <i>Mates with 3 x .046 &amp; 3 x .090/.125 HV Screen Frames</i></p>  <p>2.830 2.830</p>	<p>.060 Tube Insert &amp; 3 x 3 HV Screen Frame Assembly</p> 	<p>.090/.125 Tube Insert x 12' Mill Order Available in White &amp; Bronze Custom Lengths Available <i>Mates with 3 x .090 &amp; 3 x .125 HV Screen Frames</i></p>  <p>2.830 2.830</p>	<p>.090/.125 Tube Insert &amp; 3 x 3 HV Screen Frame Assembly</p> 
<p>3 x 2.46 Insert Cleat Mill Order <i>(formerly 52-61-3015)</i></p>  <p>2.460 3.000</p>	<p>3 x 2.033 BP Cleat Mill Order <i>(formerly 52-61-3016)</i></p>  <p>2.033 3.000</p>	<p>2.25 x 1.55 SMB Cleat Mill Order <i>(formerly 52-61-3017)</i></p>  <p>1.550 2.250</p>	<p>Gussett Plate Mill Order <i>50-6061-16 (FL)</i> .190 x 16" x 144" 43.350  Mill Order <i>50-6061-24 (FL)</i> .190 x 24" x 144" 65.210  Mill Order <i>50-03-190</i> .190 x 48" x 144" 60.53  Mill Order <i>50-03-191</i> .190 x 60" x 144" 75.66  Mill Order <i>50-03-190</i> .250 x 48" x 144" 167.62  Mill Order <i>50-03-191</i> .250 x 60" x 144" 209.52</p>	<p><b>Painted Extrusions</b>  Channel, Angle, Square Tube, Rectangular Tube and Round Tube available in White, Bronze, Ivory and Beige  For more information please see: <b>Standards pp 37-40</b></p>

Miscellaneous 08



**Eastern Metal Supply**  
Quality Shapes In Aluminum

[EMS FL](#)  
1-800-432-2204  
(561) 588-4780 - fax

[EMS NC](#)  
1-800-343-8154  
(704) 391-2267 - fax

[EMS TX](#)  
1-800-996-6061  
(281) 656-2297 - fax

[EMS MO](#)  
1-888-822-6061  
(314) 344-3349 - fax

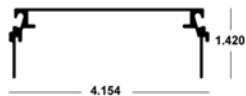
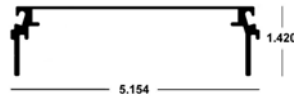
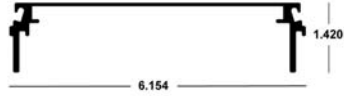
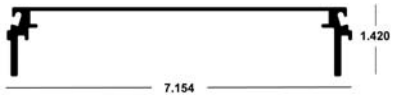
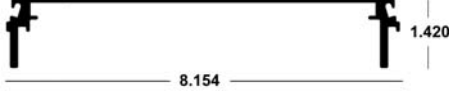

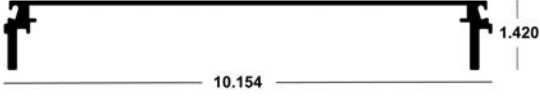
**Additional Locations:** West Palm Beach & Lakeland, FL and Newark, DE

**website:** [www.easternmetal.com](http://www.easternmetal.com)

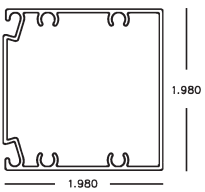
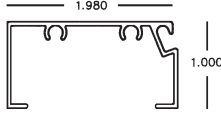
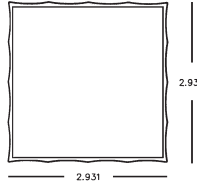
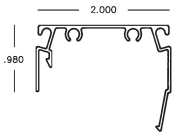
**e-mail:** [info@easternmetal.com](mailto:info@easternmetal.com)

**version:** 03/08/10

# HV Screen Enclosure System

<p><b>2 x 4 x Self Mating Beam</b> Mill Order Available in White &amp; Bronze Custom Lengths Available</p> 	<p><b>2 x 5 x Self Mating Beam</b> Mill Order Available in White &amp; Bronze Custom Lengths Available</p> 	<p><b>2 x 6 x Self Mating Beam</b> Mill Order Available in White &amp; Bronze Custom Lengths Available</p> 
<p><b>2 x 7 x Self Mating Beam</b> Mill Order Available in White &amp; Bronze; Custom Lengths Available</p> 	<p><b>2 x 8 x Self Mating Beam</b> Mill Order Available in White &amp; Bronze; Custom Lengths Available</p> 	
<p><b>2 x 9 x Self Mating Beam</b> Mill Order Available in White &amp; Bronze; Custom Lengths Available</p> 	<p><b>2 x 10 x Self Mating Beam</b> Mill Order Available in White &amp; Bronze; Custom Lengths Available</p> 	

## Patio Enclosure Shapes

<p>2" Patio Sq. Tube w/Spline x 24' 42-WH-001 (MO) White 42-MB-001(MO) Bronze</p> 	<p>1" x 2" Open Back w/Spline x 24' 42-WH-002 (MO) White 42-MB-002 (MO) Bronze</p> 	<p>3" x .078" Fluted Sq. Tube x 20' 42-WH-003 (MO) White 42-MB-003 (MO) Bronze</p> 	<p>1" x 2" x .040" SMS w/2 Spline 42-WH-005 (MO) White 52-63-9424 (FL) White 42-MB-005 (MO) Bronze 52-63-9425 (FL) Bronze</p> 
--	---	--	--

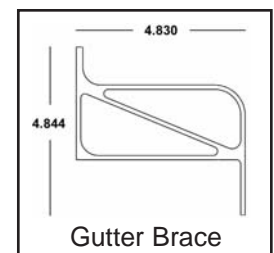
## Fasteners

5000pc min/box; stocked only in MO HWH = Hex Washer Head SMS = Sheet Metal Screw Also available in Bronze.

Product Code	Description	Finish
0-10N75-0	#10 x 3/4" HWH SMS #8(1/4" head)	white xylan
0-10N100-0	#10 x 1" HWH SMS #8(1/4" head)	white xylan
0-10N150-0	#10 x 1-1/2" HWH SMS #8(1/4" head)	xylan zinc
0-10N150-1	#10 x 1-1/2" HWH SMS #8(1/4" head)	white xylan
0-10N200-0	#10 x 2" HWH SMS #8(1/4" head)	white xylan
0-10N300-0	#10 x 3" HWH SMS #8(1/4" head)	white xylan
0-10N400-0	#10 x 4" HWH SMS #8(1/4" head)	white xylan

## Patio Extrusions (6063-T6)

Product Code	Description	Finish	Wt/Lin ft.
52-63-10749 (FL)	5" Gutter Brace x 21'	Mill Finish	3.503
52-63-10647 (FL)	2-1/4" x 2" x 1/8" Channel x 20'	White	0.900
52-63-10648 (FL)	2-1/4" x 2" x 1/8" Channel x 20'	Bronze	0.900
52-63-10718 (FL)	2" x 3/16" x Struct Angle x 20'	White	0.864
52-63-10719 (FL)	2" x 3/16" x Struct Angle x 20'	Bronze	0.864
52-63-10720 (FL)	2" x 3" x 3/16" x Struct Angle x 20'	White	1.092
52-63-10721 (FL)	2" x 3" x 3/16" x Struct Angle x 20'	Bronze	1.092



## Miscellaneous 09



**EMS FL**  
1-800-432-2204  
(561) 588-4780 - fax

**EMS NC**  
1-800-343-8154  
(704) 391-2267 - fax

**EMS TX**  
1-800-996-6061  
(281) 656-2297 - fax

**EMS MO**  
1-888-822-6061  
(314) 344-3349 - fax

**Eastern Metal Supply**  
Quality Shapes In Aluminum

**Additional Locations:** West Palm Beach & Lakeland, FL and Newark, DE

**website:** [www.easternmetal.com](http://www.easternmetal.com)

**e-mail:** [info@easternmetal.com](mailto:info@easternmetal.com)

**version:** 06/23/10