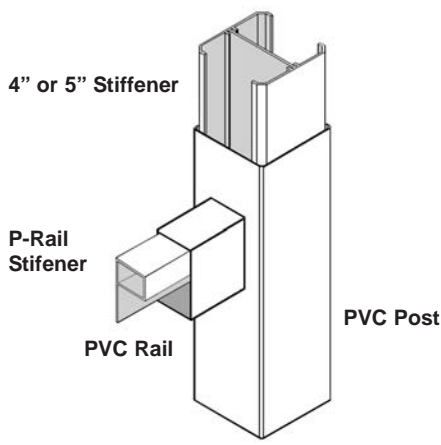
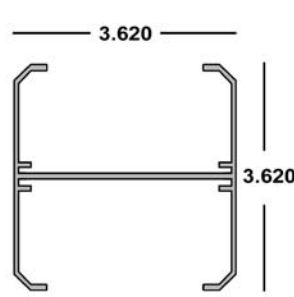
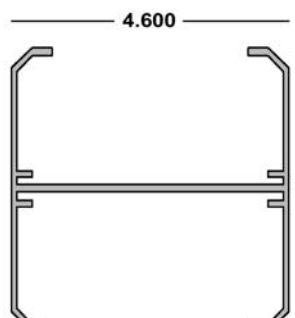
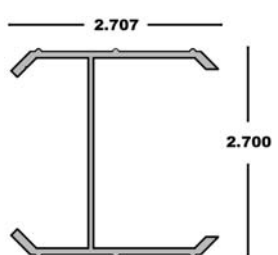
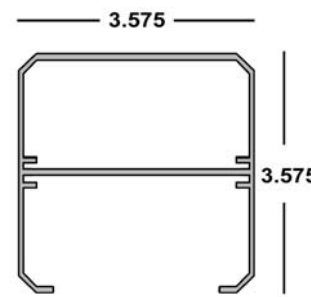
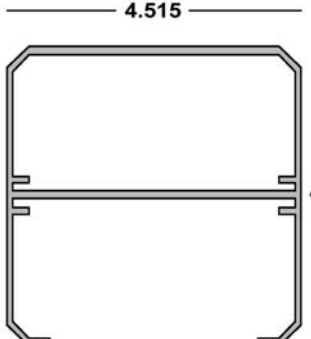
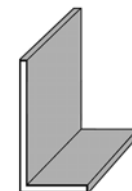
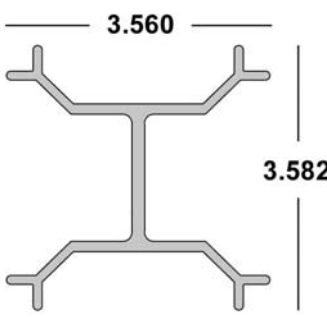
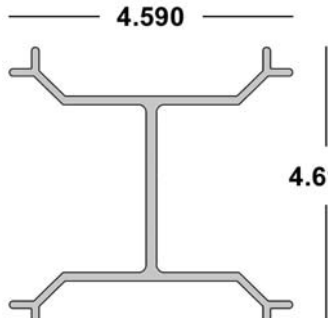


<p><i>Post and Rail Stiffener Assembly</i></p>  <p>4" or 5" Stiffener</p> <p>P-Rail Stiffener</p> <p>PVC Rail</p> <p>PVC Post</p>	<p>4" Post Stiffener x 24' 6063-T6 M/F</p> <p>65-63-002 Heavy-Duty Wall 65-63-012 Regular Wall (MO/DE) 65-63-909 Reg. Wall x 6' (DE) 65-63-013 Reg. Wall x 7' (DE)</p>  <p>3.620</p> <p>3.620</p>	<p>5" Post Stiffener x 24' 6063-T6 M/F</p> <p>65-63-001 Heavy-Duty Wall 65-63-008 HD Wall x 9' (MO) 65-63-011 Regular Wall (MO/DE) 65-63-908 Reg. Wall x 8' (DE) 65-63-937 Reg. Wall x 9' (DE)</p>  <p>4.600</p> <p>4.600</p>
<p>3" K Post Stiffener x 24' 65-63-017 (NC/MO*)</p>  <p>2.707</p> <p>2.700</p>	<p>4" Gate Post A-Stiffener x 24' 65-63-016 (NC/TX/MO)</p>  <p>3.575</p> <p>3.575</p>	<p>5" Gate Post A-Stiffener x 24' 65-63-015</p>  <p>4.515</p> <p>4.595</p>
<p>2 x 3 x 1/8 Mounting Angles* x 20' 11-63-390 <i>*2 x 4" & 2 x 5" also available; Used with 4" & 5" Post and Gate Post Stiffeners</i></p> 	<p>4" Corner Post Stiffener Mill Order</p>  <p>3.560</p> <p>3.582</p>	<p>5" Corner Post Stiffener Mill Order</p>  <p>4.590</p> <p>4.613</p>

Fence & Wall 01



Eastern Metal Supply
Quality Shapes In Aluminum

EMS FL
1-800-432-2204
(561) 588-4780 - fax

EMS NC
1-800-343-8154
(704) 391-2267 - fax

EMS TX
1-800-996-6061
(281) 656-2297 - fax

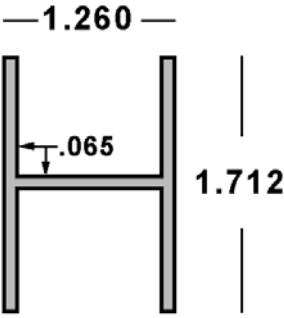
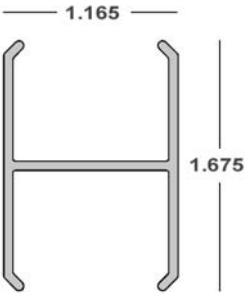
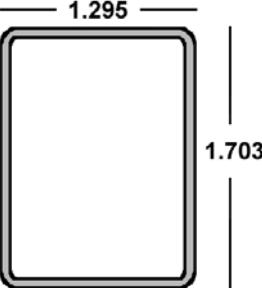
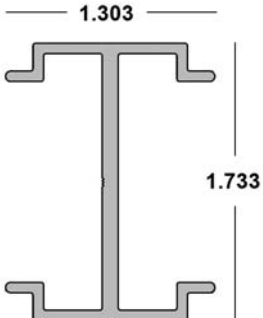
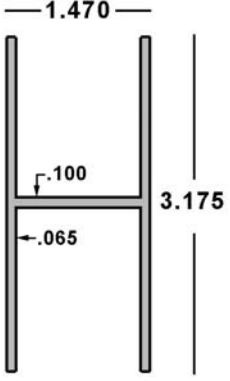
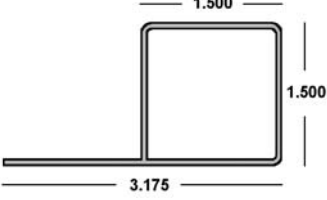
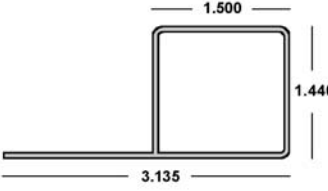
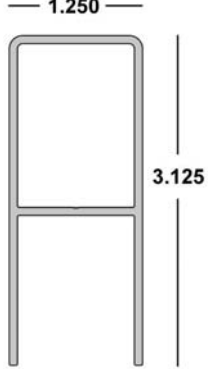
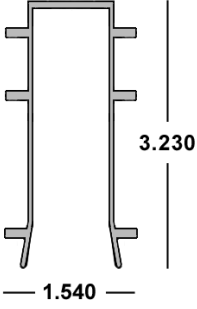
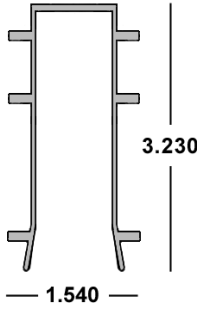
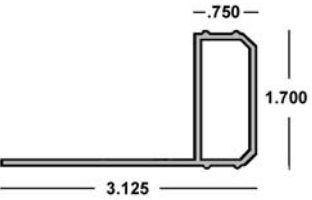
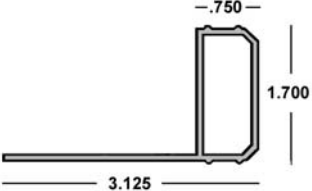
EMS MO
1-888-822-6061
(314) 344-3349 - fax

Additional Locations: West Palm Beach & Lakeland, FL and Newark, DE

website: www.easternmetal.com

e-mail: info@easternmetal.com

version: 01/07/09

<p>H-Stiffener x 24' for 1-1/2" x 5-1/2" Rail 65-63-004 65-63-914 (x 96") (NC)</p>  <p>1.260 0.065 1.712</p>	<p>H-OA Stiffener x 24' for 1-1/2" x 5-1/2" Rail 65-63-036</p>  <p>1.165 1.675</p>	<p>WTP Stiffener x 24' for 1-1/2" x 5-1/2" Privacy Rail 65-63-062 (MO)</p>  <p>1.295 1.703</p>	<p>IV Rail Stiffener x 24' 65-63-053 6063-T6 for 1-1/2" x 5-1/2" pocketed rail</p>  <p>1.303 1.733</p>
<p>H-Stiffener x 24' for 1-3/4" x 3-1/2" Rail 65-63-005 (FL/TX*)</p>  <p>1.470 0.100 0.065 3.175</p>	<p>P-Stiffener x 24' for 1-3/4" x 3-1/2" Rail 65-63-003 (FL/NC/TX*/MO)</p>  <p>1.500 1.500 3.175</p>	<p>P-Stiffener x 24' (WESUB) for 1-3/4" x 3-1/2" Rail 65-63-034 (MO)</p>  <p>1.500 1.440 3.135</p>	<p>OT "A" Rail Stiffener x 24' for 1-3/4" x 3-1/2" Light Rail Mill Order (NC/MO) formerly 65-05-051 6005-T5</p>  <p>1.250 3.125</p>
<p>U-Stiffener (BF) Mill Order for 1-3/4" x 3-1/2" Fencing Rail; accepts 7/8" Picket</p>  <p>3.230 1.540</p>	<p>U-Stiffener (BF) Mill Order (65-63-056 x 24' NC) for 1-3/4" x 3-1/2" Rail or 2" x 4" Rail, Top Rail (T-O); accepts 1-1/4" Picket</p>  <p>3.230 1.540</p>	<p>PK-Stiffener x 24' for 2" x 3-1/2" Rail 65-63-023 (NC/TX/MO) 65-63-050 (x 8' DE) Regular Wall</p>  <p>0.750 1.700 3.125</p>	<p>PK-Stiffener x 24' for 2" x 3-1/2" Rail 65-63-018 (NC) Heavy Duty Wall</p>  <p>0.750 1.700 3.125</p>

Fence & Wall 02



Eastern Metal Supply
Quality Shapes In Aluminum

[EMS FL](#)

1-800-432-2204
(561) 588-4780 - fax

[EMS NC](#)

1-800-343-8154
(704) 391-2267 - fax

[EMS TX](#)

1-800-996-6061
(281) 656-2297 - fax

[EMS MO](#)

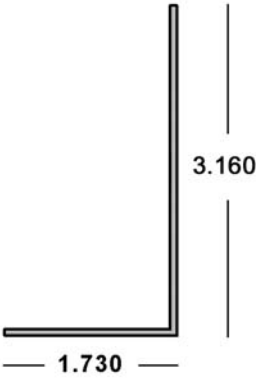

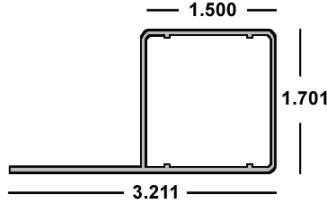
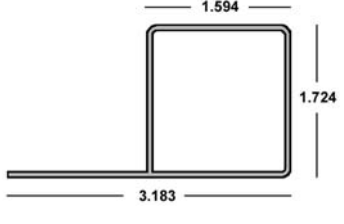
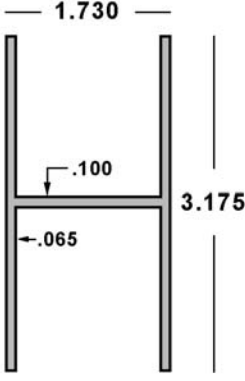
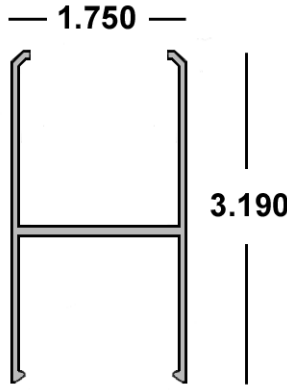
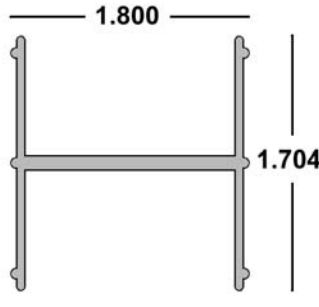
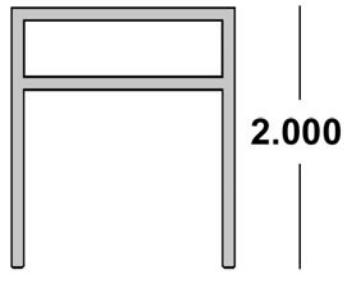
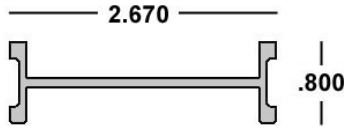
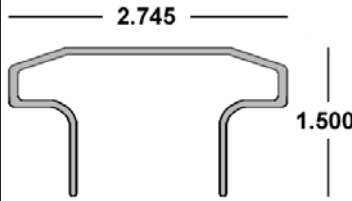
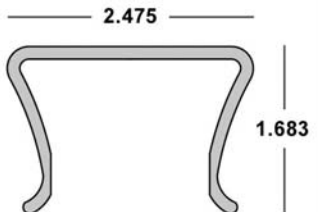
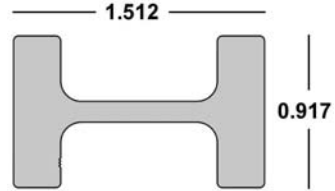
1-888-822-6061
(314) 344-3349 - fax

Additional Locations: West Palm Beach & Lakeland, FL and Newark, DE

[website: www.easternmetal.com](http://www.easternmetal.com)

[e-mail: info@easternmetal.com](mailto:info@easternmetal.com)

[version: 06/30/09](#)

<p>Angle Stiffener x 24' for 2" x 3-1/2" Rail 65-63-072 (NC)</p> 	<p>P-Stiffener x 24' for 2" x 3-1/2" Rail 65-63-009 (FL/NC/TX*/MO)</p> 	<p>PV-Stiffener x 24' for 2" x 3-1/2" Rail 65-63-913 (NC) (fits some T-Top Rails)</p> 	<p>PW Stiffener x 24' for 2" x 3-1/2" Rail 65-63-063 (MO) 65-63-068 (NC)</p> 
<p>H-Stiffener x 24' for 2" x 3-1/2" Rail 65-63-006</p> 	<p>H- K BCA Stiffener x 24' for 2" x 3-1/2" Rail 65-63-040 (NC)</p> 	<p>HV-Stiffener for 2" x 7" Rail; some 2" x 6" Rails x 24' 65-63-007 (NC/MO) x 8' 65-63-061 (TX)</p> 	<p>Top Rail Stiffener x 24' (A-PL) also for some 2" x 8" applications 65-05-048 (NC)</p> 
<p>HL Top Rail x 24' 65-63-044 (MO*) 6063-T6</p> 	<p>OT "Q" Top Rail Stiffener x 24' 65-63-047 (NC) 6063-T6</p> 	<p>Sculptured Top Rail Stiffener x 24' (OT -BL) 65-63-045 (MO*) 6063-T6</p> 	<p>OT "H" Top Rail Stiffener x 24' 65-05-046 (NC/MO*) 6005-T5</p> 

Fence & Wall 03



Eastern Metal Supply
Quality Shapes In Aluminum

EMS FL
1-800-432-2204
(561) 588-4780 - fax

EMS NC
1-800-343-8154
(704) 391-2267 - fax

EMS TX
1-800-996-6061
(281) 656-2297 - fax

EMS MO
1-888-822-6061
(314) 344-3349 - fax

Additional Locations: West Palm Beach & Lakeland, FL and Newark, DE

website: www.easternmetal.com

e-mail: info@easternmetal.com

version: 06/30/09

