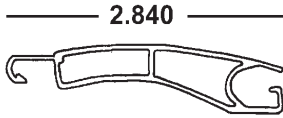
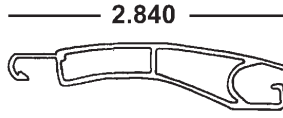


ROLL SHUTTER SYSTEMS Code Approvals: **40mm: FBC (non-HVHZ), FBC (HVHZ), TDI, IBC/IRC**
55mm: FBC (non-HVHZ) • 60mm: FBC (non-HVHZ), FBC (HVHZ), TDI, IBC/IRC

60 MM SLAT x 22' (non-vented)
 40-WH-700 White (10 Pcs.)



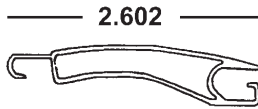
60 MM SLAT x 22' (vented)
 40-WH-705T White (10 Pcs.)
 40-MB-705T Bronze
 40-IV-705T Ivory
 40-BG-705T Beige



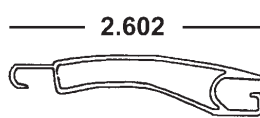
60mm SLAT LOCK
 40-63-797 Black Left & Right



55 MM SLAT x 20' (non-vented)
 52-63-1131 White (10 Pcs.)



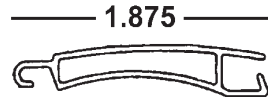
55 MM SLAT x 20' (vented)
 40-WH-255 White (10 Pcs.)
 40-MB-255 Bronze
 40-IV-255 Ivory
 40-BG-255 Beige



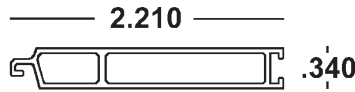
55mm SLAT LOCK
 Special Order Black Left & Right



40 MM SLAT x 20' (vented)
 40-WH-275T White (10 Pcs.)
 40-MB-275T Bronze
 40-IV-275T Ivory
 40-BG-275T Beige



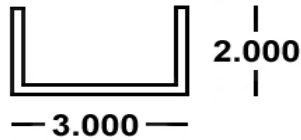
BOTTOM SLAT x 22'
 41-WH-001 White (10 Pcs.)
 41-MB-001 Bronze
 41-IV-001 Ivory
 41-BG-001 Beige



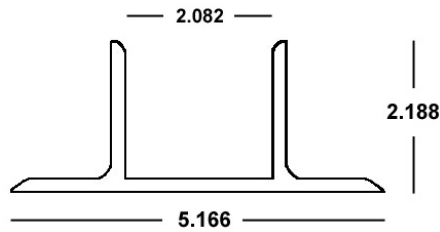
40mm SLAT LOCK
 40-63-796 Black Left & Right



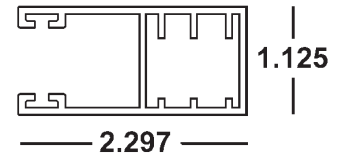
CHANNEL 3" x 2" x 1/8" x 24'
 52-63-914 White (4-6 Pcs.)



2" Storm Bar Clip x 12'
 40-63-262 Mill Finish

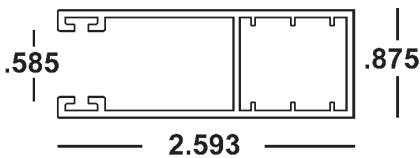


SINGLE BOX TRACK x 24' 6"
 Mill Order (40-WH-505)
 White (6 Pcs.)

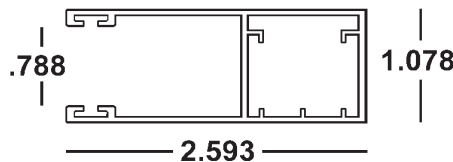


Copyright 2007-2010 Eastern Metal Supply, Inc. HVTM, BERTHA HVH, BERTHA®, DACROSHIELD® are all trademarks of Eastern Metal Supply, Inc. ASSA® is a trademark of the American Shutter Systems Association. All rights reserved.

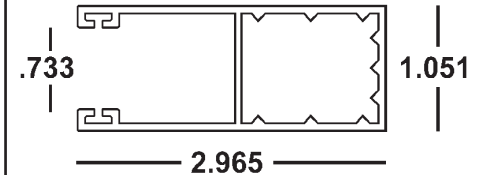
40 MM TRACK x 20'
 41-WH-002 White (6 Pcs.)
 41-MB-002 Bronze
 41-IV-002 Ivory
 41-BG-002 Beige



55 MM TRACK x 22' 6"
 41-WH-003 White (6 Pcs.)
 41-MB-003 Bronze
 41-IV-003 Ivory
 41-BG-003 Beige



DADE 55 MM TRACK x 24' 6"
 41-WH-300 White (6 Pcs.)
 41-MB-300 Bronze
 41-IV-300 Ivory
 40-BG-300 Beige



Hurricane 20



EMS FL
 1-800-432-2204

EMS NC
 1-800-343-8154

EMS TX
 1-800-996-6061

EMS MO
 1-888-822-6061

(561) 588-4780 - fax

(704) 391-2267 - fax

(281) 656-2297 - fax

(314) 344-3349 - fax

Eastern Metal Supply
 Quality Shapes In Aluminum

Additional Locations: West Palm Beach & Lakeland, FL and Newark, DE

website: www.easternmetal.com

e-mail: info@easternmetal.com

version: 04/06/10

**ROLL SHUTTER SYSTEMS Code Approvals: 40mm: FBC (non-HVHZ), FBC (HVHZ), TDI, IBC/IRC
55mm: FBC (non-HVHZ) • 60mm: FBC (non-HVHZ), FBC (HVHZ), TDI, IBC/IRC**

STORM BARS x 22' 6"
(DOVE TAIL TUBES)
40-WH-902 White (8 Pcs.)
40-MB-901 Bronze
40-IV-900 Ivory
40-BG-903 Beige

1" STORM BAR BRACKET x 24'
Mill Order

1.5" STORM BAR BRACKET x 24'
Mill Order

58 mm OCTAGONAL TUBE x 24'
40-63-250 Mill Finish

60mm REEL TUBE x 17'
51-63-338 (2.365 ID) Mill Finish

70mm HEAVY REEL TUBE x 24'
52-63-7521

94mm REEL TUBE (3.701 ID)
41-63-351 x 19' 6"
41-63-350 x 24'

100mm REEL TUBE x 24'
18-61-255 (3.548 ID) 3-1/2" SCH 40

IN-LINE GALVANIZED STEEL TUBE
41-GLV-240 4" (95.5MM ID)x 20'
Galvanized Reel Tube
4" O.D.; 120 Wall

41-GLV-288 4" (95.5MM ID) x 24'
Galvanized Reel Tube
4" O.D.; 120 Wall

FELT ROLL x 1,750' (.320/.270)
41-HV-320B Black Felt Roll
41-HV-320G Grey Felt Roll

Copyright 2007-2010 Eastern Metal Supply, Inc. HVTM, BERTHA HV®, BERTHA®, DACROSHIELD® are all trademarks of Eastern Metal Supply, Inc. ASSA® is a trademark of the American Shutter Systems Association. All rights reserved.

Hurricane 21



EMS FL
1-800-432-2204
(561) 588-4780 - fax

EMS NC
1-800-343-8154
(704) 391-2267 - fax

EMS TX
1-800-996-6061
(281) 656-2297 - fax

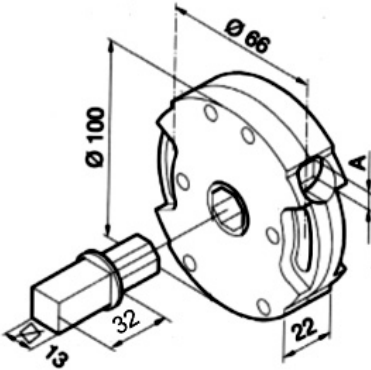
EMS MO
1-888-822-6061
(314) 344-3349 - fax

Eastern Metal Supply Quality Shapes In Aluminum **Additional Locations:** West Palm Beach & Lakeland, FL and Newark, DE
[website: www.easternmetal.com](http://www.easternmetal.com) [e-mail: info@easternmetal.com](mailto:info@easternmetal.com) **version: 03/16/10**

ROLL SHUTTER COMPONENTS

GEAR 1/11 RATIO 7MM HEX

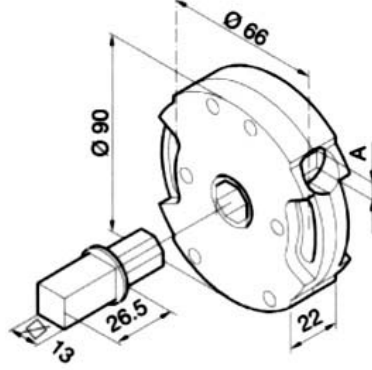
6A23811PF7 66 LBS. MAX
6A23811ZF7 66 LBS. MAX ZAMAC
1 each



Comes with Hexagonal Pivot & Clip

GEAR 1/8 RATIO 7MM HEX

6A23808PF7 44 LBS. MAX
6A23808ZF7 44 LBS. MAX ZAMAC
1 each



Comes with Hexagonal Pivot & Clip

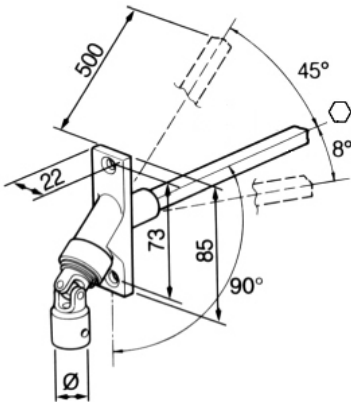
5' CRANK HANDLE W/BELL

6A322E78215 (NICKEL)
1 each



90 DEG UNIVERSAL HEX DRIVE

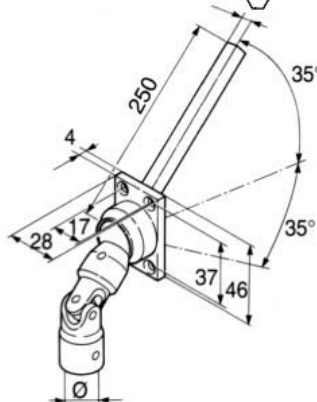
6A323S584E7 2 HOLE
1 each



Bullet Sold Separately/bag of 20 - 6A32341FX

90 DEG UNIVERSAL HEX DRIVE

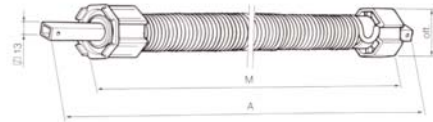
6A323T584E7 4 HOLE
1 each



Bullet Sold Separately/bag of 20 - 6A32341FX

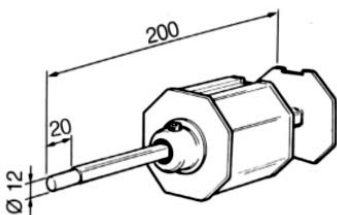
ASSIST SPRING 60 MM 75 LB.

6C0445160G2 34KGS
ASSIST SPRING 70 MM 123 LB
6C0450140G4
1 each



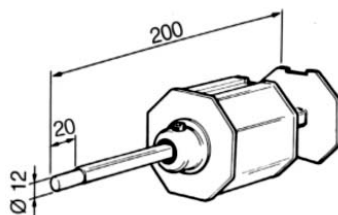
60 MM NYLON IDLE SIDE

ADJ CAP W/PIVOT - METAL
6C66643AL 1 each
ADJ CAP W/PIVOT/PLASTIC
6A66643 1 each



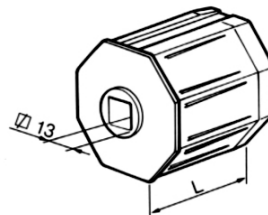
70 MM NYLON IDLE SIDE

ADJ PIVOT/METAL
6C66645AL 1 each
ADJ PIVOT/PLASTIC
6A66645 1 each



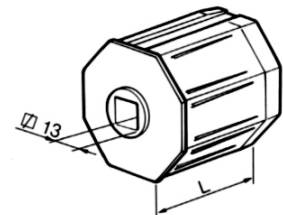
CAP WITH SQUARE HOLE

60MM NYLON GEAR INSERT
6D66603 1 each
60MM ALUM GEAR INSERT
6C66603AL 1 each
MATES WITH HEXAGONAL
PIVOT/GEAR



CAP WITH SQUARE HOLE

70MM ALUM GEAR INSERT
6C66605AL 1 each
MATES WITH HEXAGONAL
PIVOT/GEAR



Hurricane 22



Eastern Metal Supply
Quality Shapes In Aluminum

EMS FL

1-800-432-2204
(561) 588-4780 - fax

EMS NC

1-800-343-8154
(704) 391-2267 - fax

EMS TX

1-800-996-6061
(281) 656-2297 - fax

EMS MO

1-888-822-6061
(314) 344-3349 - fax

Additional Locations: West Palm Beach & Lakeland, FL and Newark, DE

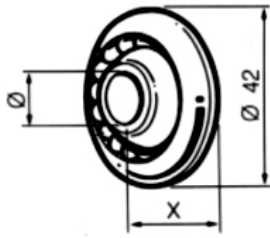
website: www.easternmetal.com

e-mail: info@easternmetal.com

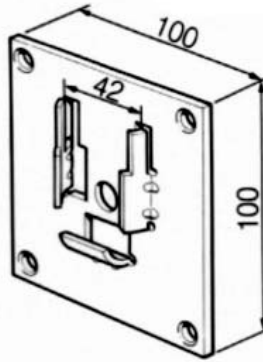
version: 04/06/10

ROLL SHUTTER COMPONENTS

42 MM BALL BEARING STEEL BUSHING
6C35802
5 per bag



BEARING PLATE
6A39431 5 each
comes with 20 mounting screws



HEAVY DUTY BEARING PLATE
7006107
5 per bag

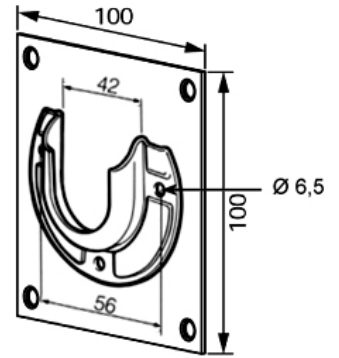
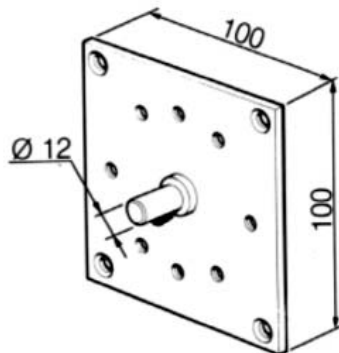
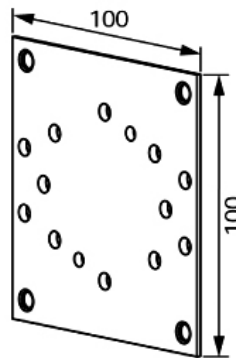


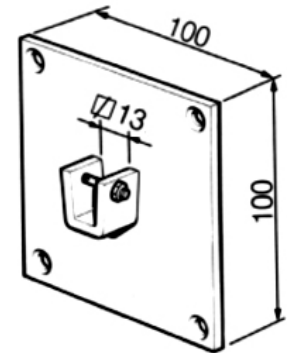
PLATE FOR GEAR
6A39436 5 each
comes with 20 mounting screws



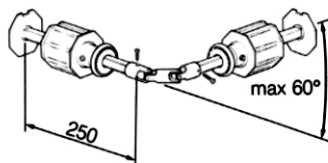
UNIVERSAL PLATE FOR GEAR NO PIN 6A39441 5 each



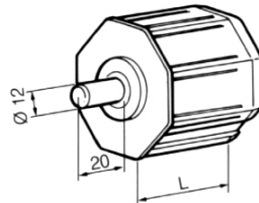
SPRING SUPPORT PLATE
6A39438 5 each
comes with 5 screws and 5 nuts



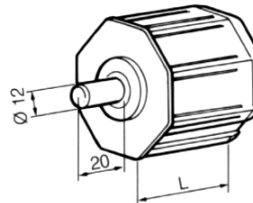
ADJ ARTICULATED CAP-60MM 6A66753
PLASTIC
1 pcs/box



CAP W/ROUND PIVOT 60MM 6D66633 PLASTIC
1 pcs/box



CAP W/ROUND PIVOT 60MM 6D66633AL ALUMINUM
CAP W/ROUND PIVOT 70MM 6D66635AL ALUMINUM
1 pcs/box



BOTTOM SLAT WEATHER SEAL
41-68-101 400' Roll - 21" Reel
Bulb Gasket Seal Black
Mates w/ 40mm, 55mm, 58mm, 60mm Slats



Hurricane 23



Eastern Metal Supply
Quality Shapes In Aluminum

EMS FL
1-800-432-2204
(561) 588-4780 - fax

EMS NC
1-800-343-8154
(704) 391-2267 - fax

EMS TX
1-800-996-6061
(281) 656-2297 - fax

EMS MO
1-888-822-6061
(314) 344-3349 - fax

Additional Locations: West Palm Beach & Lakeland, FL and Newark, DE

website: www.easternmetal.com

e-mail: info@easternmetal.com

version: 04/06/10

ROLL SHUTTER COMPONENTS - SIMU MOTORS & ACCESSORIES

SIMU MOTORS - (1 each) Transmitters sold seperately

TYPE 5 STANDARD OPERATORS

Product Code	Description
2000651	T5 30Nm 12 rpm 120V
2000648	T5 35Nm 18 rpm 120V
2000653	T5 50Nm 12 rpm 120V

TYPE 5 OVERRIDE OPERATORS

2000774	DMI5 30Nm 12 rpm 120V
2000771	DMI5 35Nm 18 rpm 120V
2000776	DMI5 50Nm 12 rpm 120V

TYPE 5 RADIO Hz-O2 PLUS OPERATORS

2005136	T5Hz 30Nm 12 rpm 120V
2005135	T5Hz 35Nm 18 rpm 120V
2000776	T5Hz 50Nm 12 rpm 120V

TYPE 5 RADIO Hz-O2 OVERRIDE OPERATORS

2004673	DMI5Hz 30Nm 12 rpm 120V
2004674	DMI5Hz 35Nm 18 rpm 120V
2004675	DMI5Hz 50Nm 12 rpm 120V

TYPE 6 STANDARD OPERATORS

2000986	T6 80Nm 14 rpm 120V
2000987	T6 100Nm 14 rpm 120V

TYPE 6 OVERRIDE OPERATORS

2001044	DMI6 100Nm 14 rpm 120V
---------	------------------------

TYPE 6 RADIO Hz-O2 PLUS OPERATORS

2006061	T6Hz 80Nm 14 rpm 120V
2006062	T6Hz 100Nm 14 rpm 120V

TYPE 6 RADIO Hz-O2 OVERRIDE OPERATORS

2006057	DMI6Hz 80Nm 14 rpm 120V
2006058	DMI6Hz 100Nm 14 rpm 120V

TYPE 8 STANDARD OPERATORS

2004248	T8 200Nm Diameter 94mm 10 rpm 120V
---------	---------------------------------------

TYPE 8 OVERRIDE OPERATORS

2004249	T8 200Nm Diameter 94mm 10 rpm 120V
---------	---------------------------------------

SIMU MOTOR ACCESSORIES

TYPE 8 BRACKET ANGLE (2 piece set)

9001413	T8 BRACKET ANGLE
---------	------------------

Hz RADIO ACCESSORIES (1 each)

2006138	HZ TRANSMITTER 1 CHANNEL HANDHELD (WHITE)
2006143	HZ TRANSMITTER 5 CHANNEL HANDHELD (WHITE)
1810603	HZ TRANSMITTER 1 CHANNEL RECESSED DESIGNER (WHITE)
1810604	HZ TRANSMITTER 1 CHANNEL RECESSED DESIGNER (IVORY)

Hz RADIO ACCESSORIES (1 each) - con't

1810605	HZ TRANSMITTER 5 CHANNEL RECESSED DESIGNER (WHITE)
1810606	HZ TRANSMITTER 5 CHANNEL RECESSED DESIGNER (IVORY)

OPERATOR ADAPTORS TYPE 5 (1 each)

Includes octagon crown, drive-stop screw, octagon aluminum, cheese head screw

9012814	T5 60MM OCTAGONAL SET, ALUMINUM DRIVE WHEEL
9012812	T5 70MM OCTAGONAL SET, ALUMINUM DRIVE WHEEL

OPERATOR ADAPTORS TYPE 6 (1 each)

Includes 70mm octagon crown, drive-stop screw, 70mm octagon aluminum, cheese head screw

9012815	T6 70MM OCTAGONAL SET, ALUMINUM DRIVE WHEEL
---------	--

OPERATOR ADAPTORS TYPE 8 (1 each)

9001297	T8 94MM ROUND DRIVE WHEEL
---------	---------------------------

OPERATOR BRACKETS TYPE 5 (1 each)

9520049	T5 OP BRACKET 80MM x 80MM SQUARE
9520187	T5 OPERATOR BRACKET 100MM x 100MM SQUARE

OPERATOR BRACKETS TYPE 6 (1 each)

9530018	T6 OPERATOR BRACKET 100MM x 100MM SQUARE
---------	---

OPERATOR ACCESSORIES TYPE 8

9340020	T8-9 OVERRIDE EYE & SHAFT
2003807	T8 IDLER SUPPORT
9542008	94MM IDLE INSERT

TOGGLE SWITCH SINGLE POLE MAINTAINED

2005520	TOGGLE SWITCH IVORY
2005521	TOGGLE SWITCH WHITE

TOGGLE SWITCH SINGLE POLE MOMENTARY

2005522	TOGGLE SWITCH IVORY
2005523	TOGGLE SWITCH WHITE

DESIGNER SWITCH SINGLE POLE MAINTAINED

2005553	DESIGNER SWITCH IVORY
2005554	DESIGNER SWITCH WHITE

DESIGNER SWITCH SINGLE POLE MOMENTARY

2005558	DESIGNER SWITCH IVORY
2005559	DESIGNER SWITCH WHITE

TEST SWITCH

2001476	INSTALLATION TEST SWITCH
---------	--------------------------

Hurricane 25



Eastern Metal Supply
Quality Shapes In Aluminum

[EMS FL](#)
1-800-432-2204
(561) 588-4780 - fax

[EMS NC](#)
1-800-343-8154
(704) 391-2267 - fax

[EMS TX](#)
1-800-996-6061
(281) 656-2297 - fax

[EMS MO](#)
1-888-822-6061
(314) 344-3349 - fax

Additional Locations: West Palm Beach & Lakeland, FL and Newark, DE

website: www.easternmetal.com **e-mail:** info@easternmetal.com **version:** 04/06/10