

Eastern Metal Supply

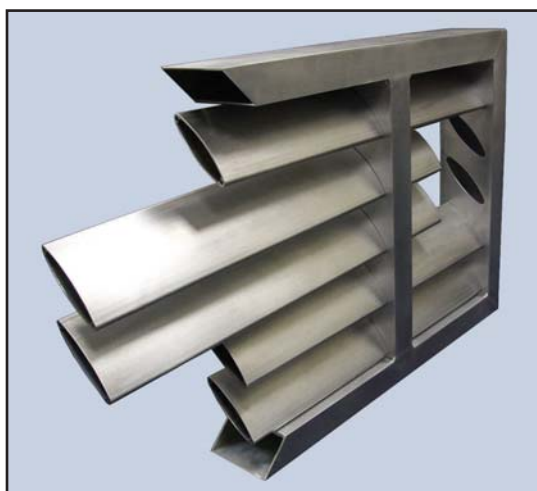
Pre-Fabricated Sunshade System - ready-to-assemble

Available mitered or square cut with pre-punched holes
Rectangular Tube or Bar Frames & Air Foil Blades from 2" to 12"

- **Fast Assembly** • **Increased Strength** • **Minimal Welding**
for a **Clean Look** • **Fewer Parts, Less Inventory**



Mitered side frames with blades through center mullion



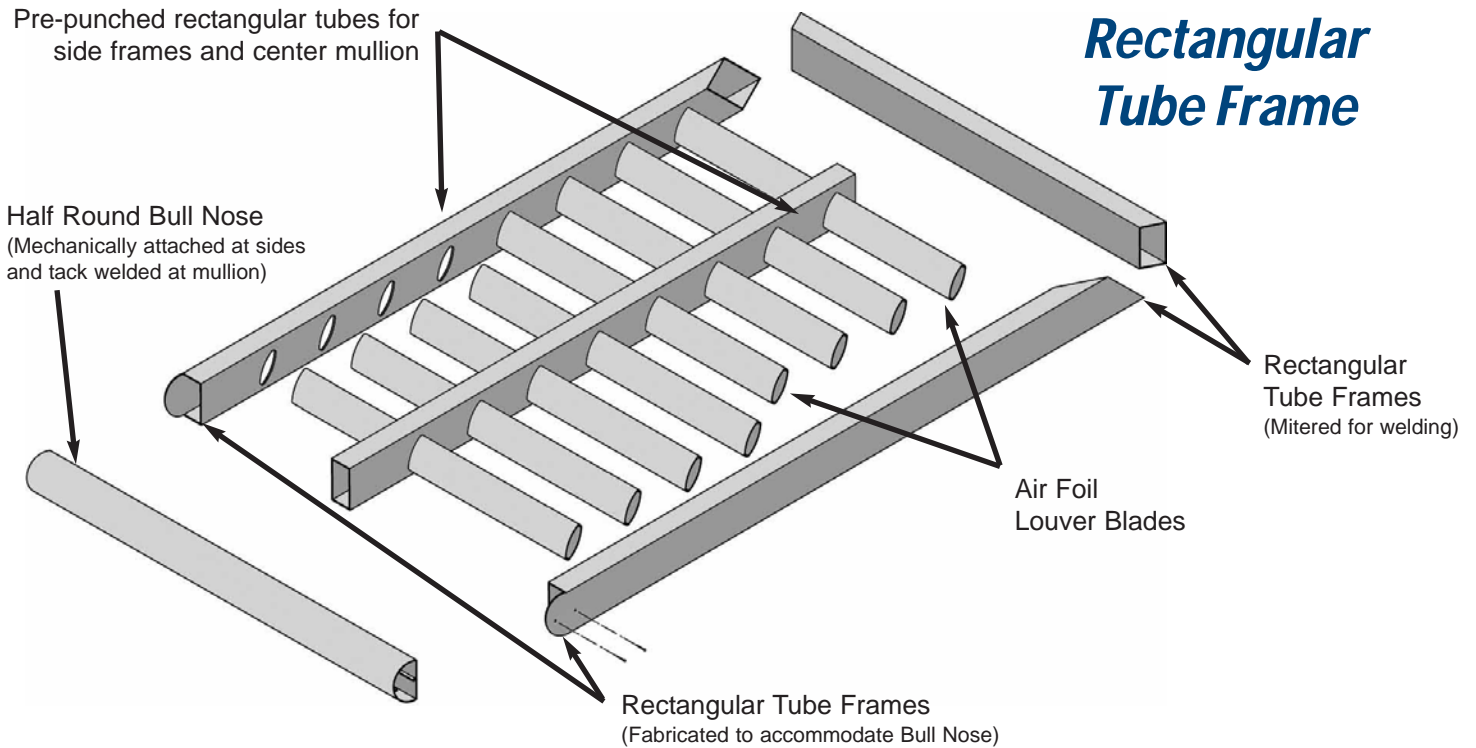
Pre-Fabricated Flat Bar Outriggers and Mullions

Eastern Metal Supply

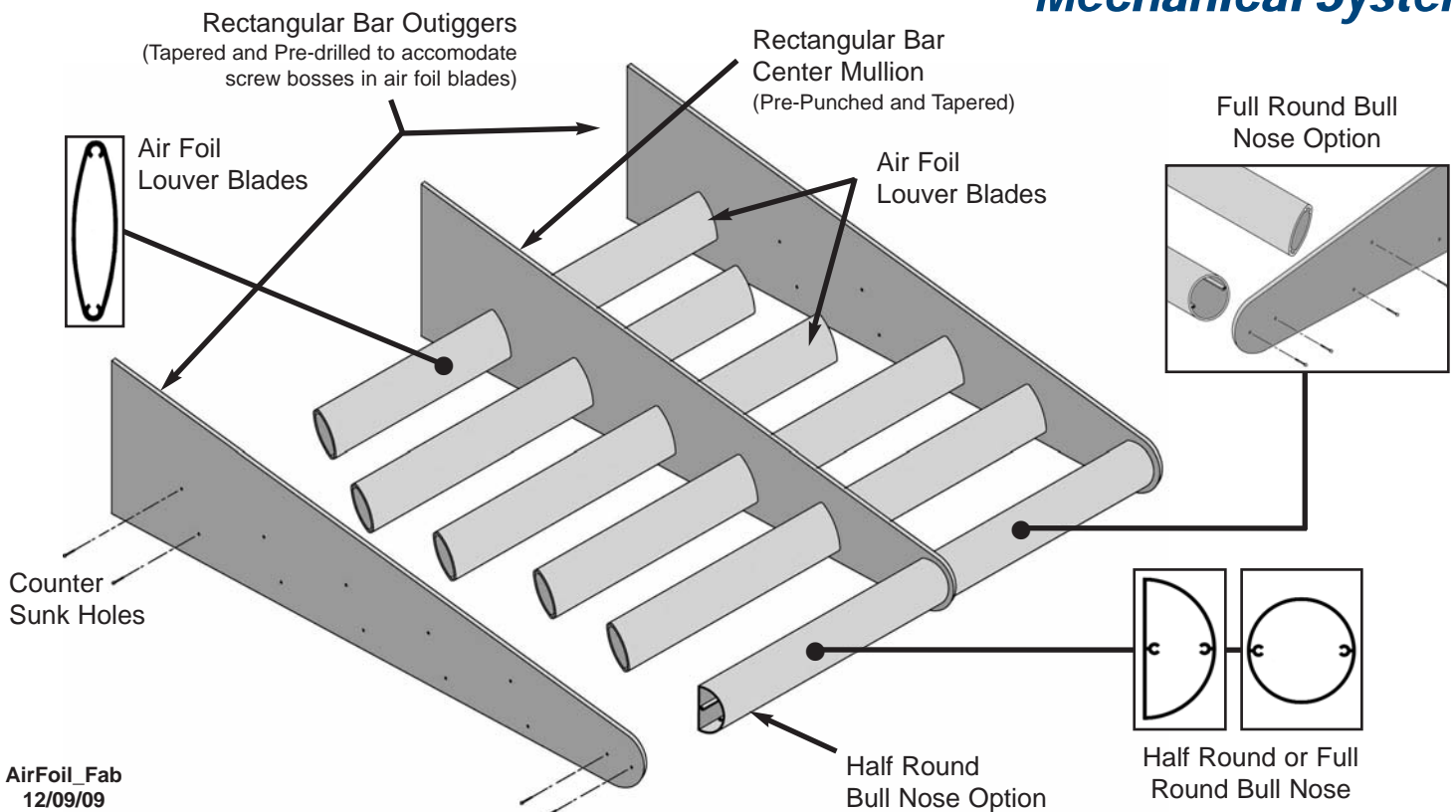
Pre-Fabricated Sunshade System - ready-to-weld or mechanically join

Available mitered or square cut with pre-punched holes

Rectangular Tube or Rectangular Bar Frames & Air Foil Blades from 2" to 12"



Mechanical System



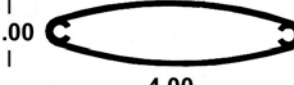

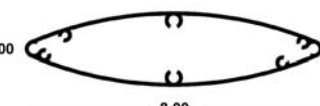

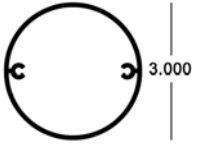
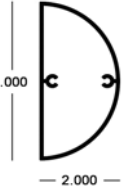


Eastern Metal Supply

Pre-Fabricated Sunshade System

Available mitered or square cut with pre-punched holes

Rectangular Tube or Rectangular Bar Frames & Air Foil Blades from 2" to 12"

| | | | |
|--|---|--|---|
| <p>2-1/8" Air Foil Wall: .045 56-63-200 x 16' (FL)</p>  | <p>4" Air Foil Wall: .080 52-63-1010 x 24' (MO)</p>  | <p>4" Air Foil Wall: .080 56-63-400 x 24' (FL)</p>  | <p>6" Air Foil Wall: .085 52-63-1020 x 24' (MO) 56-63-600 x 24' (FL) Mill Order x 20' 21929-940 (TX) Mill Order x 24' 21929-876 (TX)</p>  |
| <p>8" Air Foil Wall: .100 52-63-1025 x 24' (MO) 56-63-800 x 24' (FL)</p>  | <p>12" Air Foil Wall: .188 Mill Order 21929-461 (TX)</p>  | <p>3" Full Round Bull Nose 56-63-201 x 24' (FL) Wall: .083</p>  | <p>4" Half Round Bull Nose 56-63-202 x 24' (FL) Wall: .083</p>  |

Aluminum Tubing

for Frames, Outriggers & Mullions

6063-T52 x 24' (Unless noted otherwise)

| Stock Code | Size in Inches (E x M) | Approx. Wt/ft. |
|----------------|------------------------|----------------|
| 20-63-223 | 1 x 2 x .062 | 0.428 |
| 20-63-229 (FL) | 1 x 2 x .093 | 0.613 |
| 20-63-225 | 1 x 2 x .125 | 0.824 |
| 20-63-230 | 1 x 3 x .125 | 1.125 |
| 20-63-235 | 1 x 4 x .125 | 1.425 |
| 20-63-236 | 1 x 5 x .125 | 1.720 |
| 20-63-265 | 1.75 x 4 x .093 | 1.242 |
| 20-63-270 | 1.75 x 4 x .125 | 1.650 |
| 19-63-210 | 2 x 2 x .125 | 1.126 |
| 20-63-275 | 2 x 3 x .125 | 1.426 |
| 20-63-280 | 2 x 4 x .125 | 1.724 |
| 20-63-285 | 2 x 5 x .125 | 2.025 |
| 20-63-290 | 2 x 6 x .125 | 2.327 |
| 20-63-295 | 2 x 8 x .125 | 2.962 |

| | | | | | |
|--------------------------------------|----------------|--------|-----------------|----------|-------|
| 20-63-400* | 2 x 10 x .125 | 3.541 | 10-61-366 | 1/4 x 7 | 2.058 |
| 20-63-500 | 2 x 12 x .1875 | 6.210 | 10-61-370 | 1/4 x 8 | 2.352 |
| 20-63-302* | 3 x 8 x .110 | 2.872 | 10-61-375 | 1/4 x 10 | 2.940 |
| 20-63-305 | 3 x 12 x .188 | 6.613 | 33-61-100 | 1/4 x 12 | 3.528 |
| 20-63-306 | 4 x 6 x .188 | 4.342 | 10-61-435 | 3/8 x 3 | 1.350 |
| 20-61-524 (NC)** | 4 x 8 x .250 | 6.900 | 10-61-440 | 3/8 x 4 | 1.800 |
| 20-61-505*** | 4 x 12 x .250 | 9.300 | 10-61-443 | 3/8 x 5 | 2.205 |
| 20-63-800 (FL) | 6 x 12 x .250 | 10.500 | 10-61-445 | 3/8 x 6 | 2.645 |
| * 6063-T6 - ** 6061-T6 - *** 6005-T6 | | | | | |
| 10-61-446 | | | 10-61-446 | 3/8 x 7 | 3.087 |
| 10-61-450 | | | 10-61-450 | 3/8 x 8 | 3.528 |
| 10-61-455 | | | 10-61-455 | 3/8 x 10 | 4.410 |
| 33-61-105 | | | 33-61-105 | 3/8 x 12 | 5.292 |
| 10-61-490 | | | 10-61-490 | 1/2 x 3 | 1.800 |
| 10-61-500 | | | 10-61-500 | 1/2 x 4 | 2.400 |
| 10-61-501 | | | 10-61-501 | 1/2 x 5 | 2.940 |
| 10-61-505 | | | 10-61-505 | 1/2 x 6 | 3.600 |
| 52-61-3400 (FL) | | | 52-61-3400 (FL) | 1/2 x 7 | 4.116 |
| 10-61-511 | | | 10-61-511 | 1/2 x 8 | 4.704 |
| 10-61-515 | | | 10-61-515 | 1/2 x 10 | 5.880 |
| 33-61-110 | | | 33-61-110 | 1/2 x 12 | 7.056 |

Aluminum Rectangular Bar

for Frames, Outriggers & Mullions

6061-T6511 (Unless noted otherwise)

| Approx. Stock Code | Size in Inches (E x M) | Wt/ft. |
|--------------------|------------------------|--------|
| 10-61-350 | 1/4 x 3 | 0.900 |
| 10-61-355 | 1/4 x 4 | 1.200 |
| 10-61-360 | 1/4 x 5 | 1.500 |
| 10-61-365 | 1/4 x 6 | 1.800 |

MANY ADDITIONAL TUBE AND BAR SIZES ARE ALSO AVAILABLE



Eastern Metal Supply
Quality Shapes In Aluminum

EMS FL

1-800-432-2204
(561) 588-4780 - fax

EMS NC

1-800-343-8154
(704) 391-2267 - fax

EMS TX

1-800-996-6061
(281) 656-2297 - fax

EMS MO

1-888-822-6061
(314) 344-3349 - fax

Additional Locations: West Palm Beach & Lakeland, FL and Newark, DE

website: www.easternmetal.com e-mail: info@easternmetal.com AirFoil_Fab 12/09/09