

D.O.T. Round Tube - 6061-T6

<u>Stock Code</u>	<u>Size in Inches (Size x Wall)</u>	<u>Aprox. Wt/Lin ft.</u>
17-61-200	1-1/2 x 1/8 x 24'	0.648
17-61-205	1-3/4 x 1/8 x 24'	0.705
17-DOT-100	2 x 1/8 x 12'	0.866
17-61-210	2 x 1/8 x 24'	0.866
17-DOT-105	2-1/2 x 1/8 x 12' 6"	1.097
17-DOT-106	2-1/2 x 1/8 x 15'	1.097
17-61-215	2-1/2 x 1/8 x 24'	1.097
17-DOT-110	3 x 1/8 x 13' 6"	1.328
17-DOT-111	3 x 1/8 x 15'	1.328
17-DOT-113	3 x 1/8 x 17'	1.328
17-DOT-112	3 x 1/8 x 20'	1.328
17-61-220	3 x 1/8 x 24'	1.328
17-DOT-115	3-1/2 x 3/16 x 15'	2.300
17-DOT-116	3-1/2 x 3/16 x 20'	2.300
17-DOT-120	4 x 3/16 x 17'	2.647
17-DOT-121	4 x 3/16 x 20'	2.647
17-DOT-125	4 x 1/4 x 20'	3.463
17-DOT-130	4-1/2 x 1/4 x 20'	3.924
17-DOT-140	6 x 1/4 x 24'	5.311

Fabricated Z-Bar - 6061 T6 M/F (pre-holed and slotted)

12-61-210FZ	1-3/4 X 1.75 X 3/16 X 8"	1.087
12-61-211FZ	1-3/4 x 1-3/4 x 3/16 x 11"	1.087
12-61-214FZ	1-3/4 x 1-3/4 x 3/16 x 14"	1.087
12-61-220FZ	1-3/4 x 1-3/4 x 3/16 x 20"	1.087
12-61-226FZ	1-3/4 x 1-3/4 x 3/16 x 26"	1.087
12-61-242FZ	1-3/4 x 1-3/4 x 3/16 x 42"	1.087
12-61-252FZ	1-3/4 x 1-3/4 x 3/16 x 52"	1.087

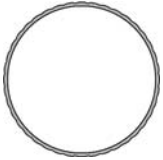

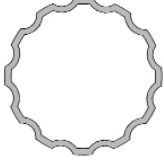
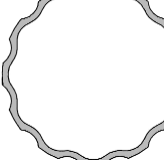
Structural Z-Bar - 6061 T6 M/F

12-61-200	1-3/4 x 1-3/4 x 3/16 x 25'	1.087
12-61-201	3 x 2-11/16 x 1/4 x 25'	2.333
12-61-220	3 x 2-11/16 x 3/8 x 25'	3.381
12-61-240	4-1/16 x 3-1/8 x 5/16 x 25'	3.644


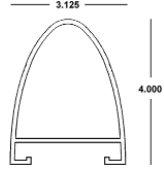
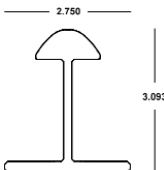
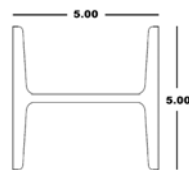

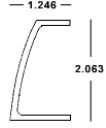
Flat Bar Base Plate x 12' - 6061 T6 M/F

10-61-505	1/2" x 6" x 12'	3.600
-----------	-----------------	-------

Fluted/Serrated Tube - 6063-T5

3 x .074 x 24' 17-63-149 	3 x .120 x 24' 17-63-151 	3 x .120 x 24' 17-63-300 	4 x .120 x 24' 17-63-310 
--	--	---	--

Bullet Rail

	4" Bicycle Bullet Rail Top Cap Mill Order 
Hand Rail Splice Mill Order 	5" x 5" Structural H-Beam Mill Order 
Hand Rail Clamp Bar Mill Order 	Splice Insert Bar Mill Order 



Fabricated Z-Bar



Structural Z-Bar

Standards 22



Eastern Metal Supply
Quality Shapes In Aluminum

[EMS FL](#)
1-800-432-2204

(561) 588-4780 - fax

[EMS NC](#)
1-800-343-8154

(704) 391-2267 - fax

[EMS TX](#)
1-800-996-6061

(281) 656-2297 - fax

[EMS MO](#)
1-888-822-6061

(314) 344-3349 - fax

Additional Locations: West Palm Beach & Lakeland, FL and Newark, DE

[website: www.easternmetal.com](http://www.easternmetal.com)

[e-mail: info@easternmetal.com](mailto:info@easternmetal.com)

[version: 02/21/08](#)