

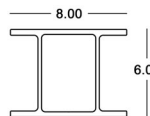
Structural Aluminum I-Beams

6061-T6 x 25' Aluminum Association

Stock Code	Size in Inches (E x M x S / T1)	Approx. Wt/Lin ft.
MILL ORDER	3.00 x 2.50 x .20 / .13	16-61-200 (NC) 1.637
16-61-205	3.00 x 2.50 x .26 / .15	2.030
16-61-210	4.00 x 3.00 x .23 / .15	2.357
52-61-3219	4.00 x 3.00 x .29 / .17	2.793
16-61-220	5.00 x 3.50 x .32 / .19 (25')	3.775
16-61-225	6.00 x 4.00 x .29 / .19	4.030
52-61-2036	6.00 x 4.00 x .35 / .21 (11')	4.700
52-61-354	6.00 x 4.00 x .35 / .21 (12' 6")	4.700
16-61-230	6.00 x 4.00 x .35 / .21	4.700
16-61-235	7.00 x 4.50 x .38 / .23	5.800
52-61-1700	8.00 x 5.00 x .35 / .23 (12' 6")	6.307
16-61-240	8.00 x 5.00 x .35 / .23	6.307
52-61-2026	8.00 x 5.00 x .41 / .25 (12' 6")	7.023
52-61-775	8.00 x 5.00 x .41 / .25	7.023
52-61-4255	8.00 x 5.00 x .41 / .25 (26')	7.023
52-61-791	8.00 x 5.00 x .41 / .25 (30')	7.023
52-61-4409	8.00 x 5.00 x .41 / .25 (32')	7.023
52-61-2312	8.00 x 5.00 x .41 / .25 (40')	7.023
16-61-262	9.00 x 5.50 x .44 / .27	8.360
52-61-3121	10.00 x 6.00 x .41 / .25 (14')	8.646
52-61-1408	10.00 x 6.00 x .41 / .25 (16')	8.646
16-61-263	10.00 x 6.00 x .41 / .25	8.646
16-61-264	10.00 x 6.00 x .41 / .25 (28')	8.646
16-61-265	10.00 x 6.00 x .41 / .25 (32')	8.646
52-61-911	10.00 x 6.00 x .50 / .29	10.286
52-61-1410	10.00 x 6.00 x .50 / .29 (32')	10.286
52-61-1389	10.00 x 6.00 x .50 / .29 (40')	10.286
52-61-4600	10.00 x 6.00 x .50 / .29 (50')	10.286
52-61-2382	12.00 x 7.00 x .47 / .29	11.910
52-61-3839	12.00 x 7.00 x .47 / .29 (20')	11.910
52-61-2945	12.00 x 7.00 x .47 / .29 (32')	11.910
52-61-1171	12.00 x 7.00 x .62 / .31 (20')	14.292
52-61-1855	12.00 x 7.00 x .62 / .31	14.292
52-61-2301	12.00 x 7.00 x .62 / .31 (32')	14.292
52-61-2872	12.00 x 7.00 x .62 / .31 (40')	14.292
16-61-266	12.00 x 7.00 x .62 / .31 (50')	14.292
16-61-270 - NEW!	14.00 x 8.00 x .60 / .30 (30')	15.967

Double I-Beam - 6061-T6

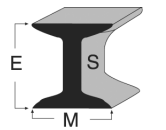
52-61-4158	6 x 8 x .190/.290 x 20'	8.771
52-61-4159	6 x 8 x .190/.290 x 30'	8.771



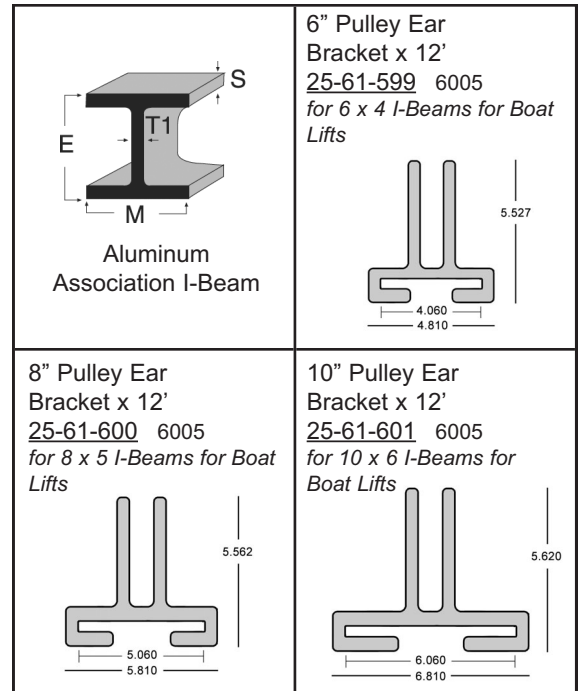
Double I-Beam

American Standard I-Beam - 6061-T6 x 25'

MILL ORDER 16-61-303 (NC)	3 x 2.330 x .170	1.944
MILL ORDER 52-61-1964	3 x 2.509 x .349	2.670
MILL ORDER 52-61-317	4 x 2.660 x .190	2.642
MILL ORDER 52-61-1204	4 x 2.796 x .326	3.373
MILL ORDER 16-61-120 (MO)	5 x 3.000 x .210	3.508
MILL ORDER 16-61-257 (NC)	5 x 3.284 x .494	5.250
MILL ORDER 16-61-617 (TX)	6 x 3.330 x .230	4.421
MILL ORDER 52-61-3366	6 x 3.443 x .343	5.220
MILL ORDER 52-61-4104	6 x 3.565 x .465	6.072
MILL ORDER	7 x 3.755 x .345	6.230
MILL ORDER 16-61-256 (MO)	8 x 4.000 x .270	6.510
MILL ORDER 16-61-631 (TX)	10 x 4.680 x .310	8.981
MILL ORDER	10 x 4.944 x .594	12.450
MILL ORDER 16-61-170 (NC)	12 x 5.000 x .350	11.220



American Standard I-Beam



Adjustable Light Aluminum I-Beam

Frequently used for HVAC/AC Frames (see pic below)
I-Beam slides within AC Clamp Channel to adjust spacing between uprights

Size in Inches (E x M x S / T1)

3 x 1.374 x 2.5 x .093 / .124

6061-T6 0.994 #/ft

10578-36 x 36"

10578-72 x 72"

16-61-009 x 108"

16-61-012 x 144"

16-61-015 x 180"

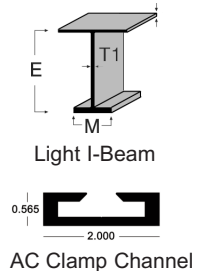
16-61-018 x 216"

10578-20 x 240"

16-61-027 x 324"

16-61-028 x 325"

52-AC-CLAMP Channel x 12' (accepts Light I-Beam)



Light I-Beam

AC Clamp Channel



HVAC/AC Frame

Items marked as MILL ORDER are non stock but available. Product codes listed on MILL ORDER items are for die reference only. Customer must specify length, alloy & temper.

Standards 25



Eastern Metal Supply

Quality Shapes In Aluminum

EMS FL

1-800-432-2204

(561) 588-4780 - fax

EMS NC

1-800-343-8154

(704) 391-2267 - fax

EMS TX

1-800-996-6061

(281) 656-2297 - fax

EMS MO

1-888-822-6061

(314) 344-3349 - fax

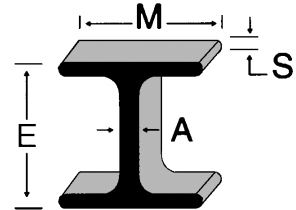
Additional Locations: West Palm Beach & Lakeland, FL; Newark, DE; Akron, OH, Van Buren, AR; Atlanta, GA and Dallas, TX

website: www.EasternMetal.com • e-mail: info@EasternMetal.com version: 07/30/20

Boat Trailer Aluminum I-Beam - FULL SIZE

Size in Inches (E x M x S / A) - 6061-T6 Full Radius

4 x 3 x .285 / .170 16-64-205 x 18' 6" 16-64-207 x 20' 16-64-210 x 21'	2.774 #/ft 51.319 #/pc 55.480 #/pc 58.254 #/pc	7 x 4.5 x .380 / .230 16-64-255 x 28' 16-64-259 x 31'	5.499 #/ft 153.97 #/pc 170.47 #/pc
6 x 4 x .350 / .210 16-64-240 x 25' 16-64-245 x 28'	4.681 #/ft 117.00 #/pc 131.04 #/pc	10 x 6 x .500 / .290 16-64-330 x 40' 16-64-340 x 45'	10.286 #/ft 411.44 #/pc 462.87 #/pc
8 x 5 x .410 / .250 16-64-300 x 30' 16-64-308 x 32' 16-64-310 x 35' 52-61-1711 x 37' 16-64-320 x 40' 52-61-1436 x 45'	7.020 #/ft 210.60 #/pc 224.64 #/pc 245.70 #/pc 259.74 #/pc 280.80 #/pc 315.90 #/pc	12 x 7 x .620/.310 16-64-445 x 45' 16-64-450 x 50'	14.098 #/ft 634.41 #/pc 704.90 #/pc

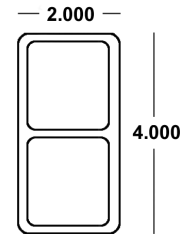


Double Hollow/Side Rail

MILL ORDER

52-61-3857

2 x 4 x .200/.150 x 20'
6061 T6510 Mill Finish
For Welded Trailers



Boat Trailer Aluminum I-Beam - HALF SIZE

Size in Inches (E x M x S / A) - 6061-T6 Full Radius

3.5 x 2.5 x .25 / .15 52-61-2489B x 25'	2.033 #/ft 50.825 #/pc	3.570 x 3 x .260/.175 MILL ORDER x 16' 16-61-307 (NC)	2.478 #/ft 39.648 #/pc
4.5 x 3 x .260/.175 16-61-289 x 13' 16-61-290 x 14' 16-61-295 x 15' 16-61-300 x 16' 16-61-308 x 17' 16-61-310 x 18' 16-61-320 x 18' 6" 16-61-325 x 19' (TX) 16-61-330 x 20' 16-61-335 x 21' 16-61-340 x 22'	2.713 #/ft 35.269 #/pc 37.982 #/pc 40.695 #/pc 43.408 #/pc 46.121 #/pc 48.834 #/pc 50.191 #/pc 51.547 #/pc 54.260 #/pc 56.973 #/pc 59.686 #/pc	5.5 x 3.5 x .280/.195 16-61-380 x 16' 16-61-390 x 18' 16-61-395 x 19' 16-61-400 x 20' 16-61-410 x 21' 16-61-415 x 22' 16-61-420 x 23' 16-61-430 x 25'	3.524 #/ft 56.384 #/pc 63.432 #/pc 66.956 #/pc 70.480 #/pc 74.004 #/pc 77.528 #/pc 81.052 #/pc 88.100 #/pc
6.5 x 4 x .310/.220 52-61-4587 x 19' 16-61-490 x 20' 16-61-495 x 21' 16-61-500 x 22' 16-61-510 x 23' 16-61-520 x 25' 16-61-525 x 26' 16-61-530 x 27' 16-61-535 x 28' 16-61-540 x 30'	4.561 #/ft 86.659 #/pc 91.220 #/pc 95.781 #/pc 100.342 #/pc 104.903 #/pc 114.025 #/pc 118.586 #/pc 123.147 #/pc 127.708 #/pc 136.830 #/pc	7.5 x 4.375 x .350/.230 16-61-600 x 25' 16-61-605 x 26' 52-61-1379 x 27' 16-61-608 x 28' 16-61-610 x 30' 16-61-620 x 32' 52-61-1339 x 33' 16-61-630 x 35' 16-61-635 x 38'	5.584 #/ft 139.600 #/pc 145.184 #/pc 150.768 #/pc 156.352 #/pc 167.520 #/pc 178.688 #/pc 184.272 #/pc 195.440 #/pc 212.192 #/pc



I-Beam Tie Strap (7/16" holes)

52-63-9356 8-1/2 x 2 x 1/4

52-63-9355 7-3/4 x 2 x 1/4

52-63-9354 6-3/4 x 2 x 1/4

Special Order 5-7/8 x 2 x 1/4

*Miscellaneous Fender Brackets
& Tie Plate Spacers are available
upon request*

*Items marked as MILL ORDER
are non stock but available.
Product codes listed on MILL ORDER
items are for die reference only.
Customer must specify
length, alloy & temper.*

Standards 26



Eastern Metal Supply
Quality Shapes In Aluminum

EMS FL
1-800-432-2204
(561) 588-4780 - fax

EMS NC/DE/GA
1-800-343-8154
(704) 391-2267 - fax

EMS TX/AR
1-800-996-6061
(281) 656-2297 - fax

EMS MO/OH
1-888-822-6061
(314) 344-3349 - fax

Additional Locations: West Palm Beach & Lakeland, FL; Newark, DE; Akron, OH, Van Buren, AR; Atlanta, GA and Dallas, TX

website: www.EasternMetal.com

e-mail: info@EasternMetal.com

version: 05/21/19