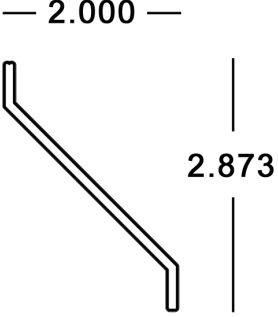
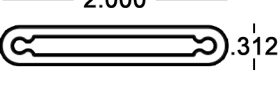
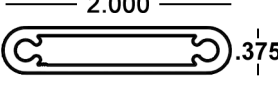
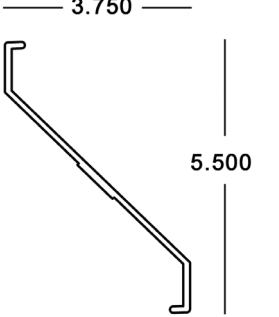
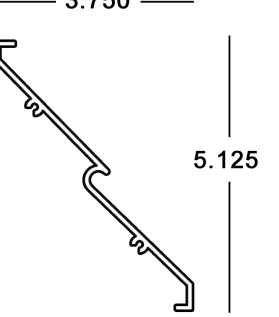


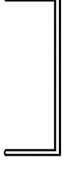
# Louver Shapes

Florida items are available to all branches via shuttle.

<p><b>L-2 - Louver Blade x 20'</b>  <b>51-63-067</b>                  wt/ft: 0.405                  mates with L-5; 13-63-265                  and 13-63-274</p> 	<p><b>L-6 - Louver Blade x 24'</b>  <b>51-63-006</b>                  wall: .062 mates with L-5</p>  <p><b>2" x .375" Louver Blade x 16'</b>  <b>80-MF-013</b>                  wall: .045 mates with L-5</p> 	<p><b>L-1 - Louver Blade x 24'</b>  <b>52-63-1913</b>  <b>51-63-062 x 20'</b>                  wt/ft: 0.860                  mates with L-4</p> 	<p><b>L-7 - Louver Blade x 24'</b>  <b>31-63-100</b>                  wt/ft: 0.826                  mates with L-4</p> 
---	---	--	--

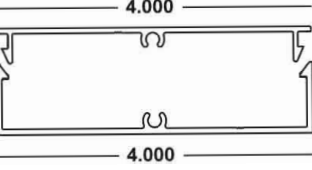
**Channels**

<b>2 x 0.75 x 23' 10" (L5)</b> 13-63-262	Wall: .125/.093 mates with L-2 and L-6
<b>2 x 1 x .125</b> 13-63-265 x 20' 13-63-274 x 24'	Wall: .125 mates with L-2 mates with L-2
<b>2.25 x .875 x .125 x 20'</b> 13-63-270	Wall: .125 mates with L-2
<b>4 x 1 x 20' (L4)</b> 13-63-273 (with radius)	Wall: .105/.080 mates with L-7 and L-1

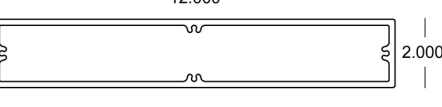
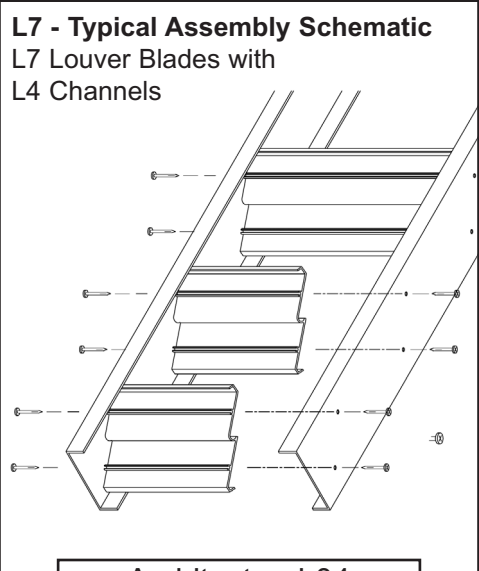
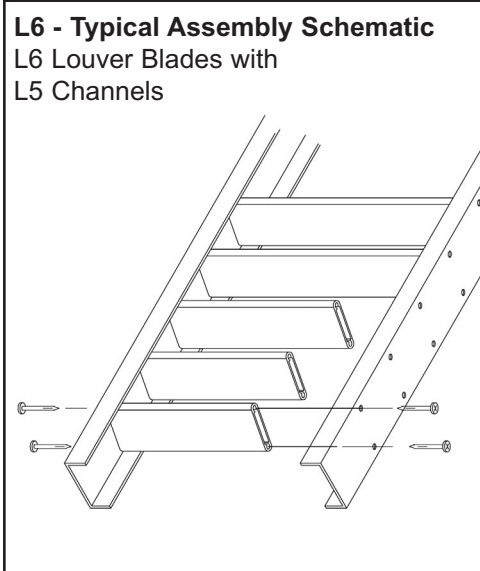
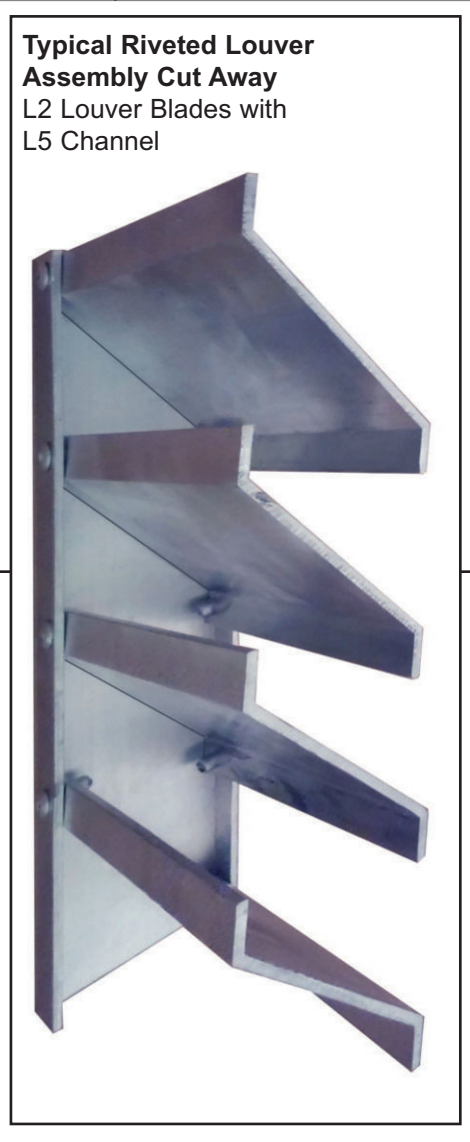


**Mechanical Snap Fit Louver Frame**

**Cover (top) MILL ORDER 52-63-13631**  
**Frame (bottom) MILL ORDER 52-63-13629**  
 Cover mates with Frame (see below)  
 \*Similar system shown on Architectural 03



**2 x 12 x .156 Rectangular Tube**  
 2178-008 (MO) (with 4 screw receivers)

Architectural 04

 <b>Eastern Metal Supply</b> Quality Shapes In Aluminum	<p><b>EMS FL</b>                  1-800-432-2204                  (561) 588-4780 - fax</p>	<p><b>EMS NC</b>                  1-800-343-8154                  (704) 391-2267 - fax</p>	<p><b>EMS TX</b>                  1-800-996-6061                  (281) 656-2297 - fax</p>	<p><b>EMS MO</b>                  1-888-822-6061                  (314) 344-3349 - fax</p>
	<p>Additional Locations: West Palm Beach &amp; Lakeland, FL; Newark, DE; Akron, OH, Van Buren, AR; Atlanta, GA and Dallas, TX</p>			
	<p>website: <a href="http://www.EasternMetal.com">www.EasternMetal.com</a> e-mail: <a href="mailto:info@EasternMetal.com">info@EasternMetal.com</a> version: 07/15/19</p>			
	<p>Quality Shapes In Aluminum</p>			