

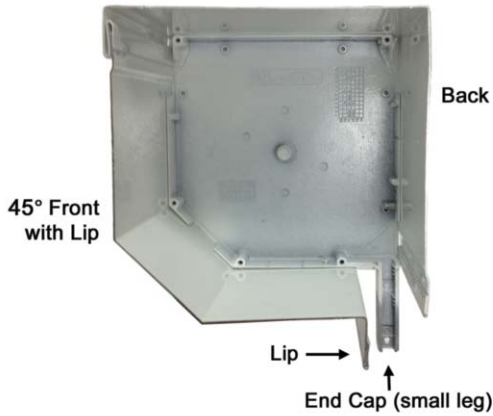
ROLL SHUTTER COMPONENTS: Roll Shutter Hoods (Custom Sizes Available)

45° HOODS - SMALL LEG End Cap

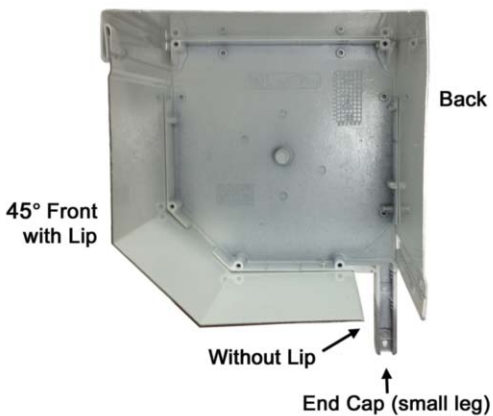
Colors Available: White: WH • Bronze: MB • Ivory: IV • Beige: BG

Product Code	Description	Style
120-COLOR-5FL45	5" HOOD	45° Front with Lip
120-COLOR-5FN45	5" HOOD	45° Front (No Lip)
120-COLOR-5B	5" HOOD	Back
120-COLOR-5.5FL45	5.5" HOOD	45° Front with Lip
120-COLOR-5.5FN45	5.5" HOOD	45° Front (No Lip)
120-COLOR-5.5B	5.5" HOOD	Back
120-COLOR-6FL45	6" HOOD	45° Front with Lip
120-COLOR-6FN45	6" HOOD	45° Front (No Lip)
120-COLOR-6B	6" HOOD	Back
120-COLOR-6.5FL45	6.5" HOOD	45° Front with Lip
120-COLOR-6.5FN45	6.5" HOOD	45° Front (No Lip)
120-COLOR-6.5B	6.5" HOOD	Back
120-COLOR-7FL45	7" HOOD	45° Front with Lip
120-COLOR-7FN45	7" HOOD	45° Front (No Lip)
120-COLOR-7B	7" HOOD	Back
120-COLOR-8FL45	8" HOOD	45° Front with Lip
120-COLOR-8FN45	8" HOOD	45° Front (No Lip)
120-COLOR-8B	8" HOOD	Back

7" 45° HOOD WITH LIP



7" 45° HOOD WITHOUT LIP



45° HOODS – LARGE LEG End Cap

Colors Available: White: WH • Bronze: MB • Ivory: IV • Beige: BG

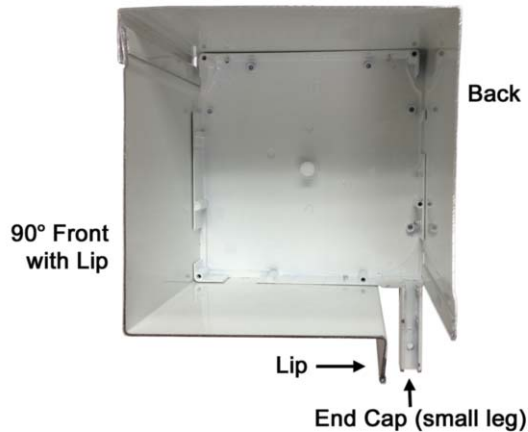
Product Code	Description	Style
120-COLOR-8FL45LL	8" HOOD	45° Front with Lip
120-COLOR-8FN45LL	8" HOOD	45° Front (No Lip)
120-COLOR-8B	8" HOOD	Back
120-COLOR-10FL45	10" HOOD	45° Front with Lip
120-COLOR-10FN45	10" HOOD	45° Front (No Lip)
120-COLOR-10B	10" HOOD	Back
120-COLOR-12FL45	12" HOOD	45° Front with Lip
120-COLOR-12FN45	12" HOOD	45° Front (No Lip)
120-COLOR-12B	12" HOOD	Back



90° HOODS – SMALL LEG End Cap

Colors Available: White: WH • Bronze: MB • Ivory: IV • Beige: BG

Product Code	Description	Style
120-COLOR-7FLSQ9	7" HOOD	90° Front with Lip
120-COLOR-7FNSQ9	7" HOOD	90° Front (No Lip)
120-COLOR-7B	7" HOOD	Back
120-COLOR-8FLSQ	8" HOOD	90° Front with Lip
120-COLOR-8FNSQ	8" HOOD	90° Front (No Lip)
120-COLOR-8B	8" HOOD	Back
120-COLOR-10FLSQ	10" HOOD	90° Front with Lip
120-COLOR-10FNSQ	10" HOOD	90° Front (No Lip)
120-COLOR-10B	10" HOOD	Back



Hurricane 34



Eastern Metal Supply
Quality Shapes In Aluminum

EMS FL

1-800-432-2204
(561) 588-4780 - fax

EMS NC

1-800-343-8154
(704) 391-2267 - fax

EMS TX

1-800-996-6061
(281) 656-2297 - fax

EMS MO

1-888-822-6061
(314) 344-3349 - fax

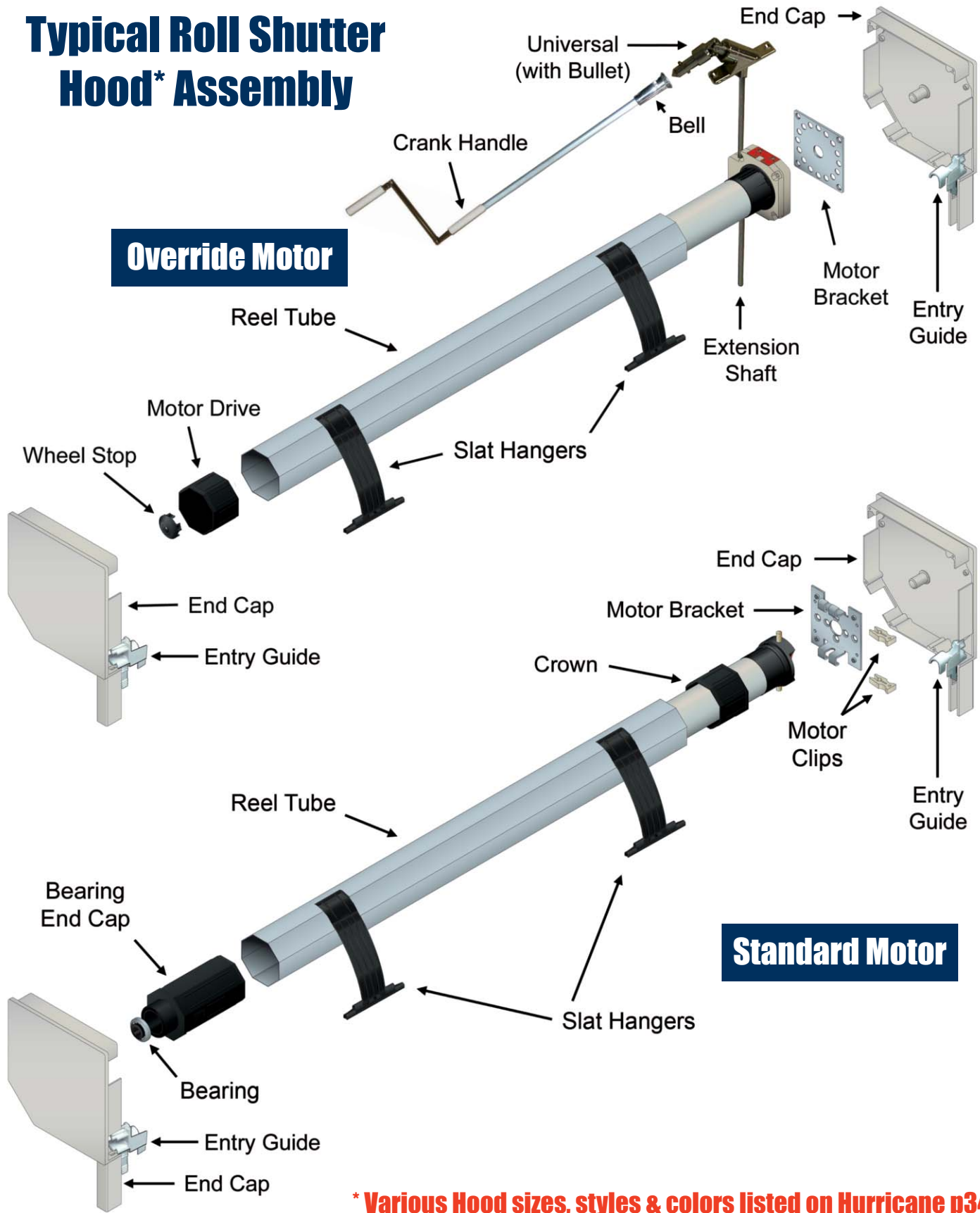
Additional Locations: West Palm Beach & Lakeland, FL; Newark, DE and Birmingham, AL

website: www.easternmetal.com

e-mail: info@easternmetal.com

version: 07/11/13

Typical Roll Shutter Hood* Assembly



*** Various Hood sizes, styles & colors listed on Hurricane p34**

Hurricane 26



Eastern Metal Supply
Quality Shapes In Aluminum

EMS FL
1-800-432-2204
(561) 588-4780 - fax

EMS NC
1-800-343-8154
(704) 391-2267 - fax

EMS TX
1-800-996-6061
(281) 656-2297 - fax

EMS MO
1-888-822-6061
(314) 344-3349 - fax

Additional Locations: West Palm Beach & Lakeland, FL; Newark, DE and Birmingham, AL
website: www.easternmetal.com **e-mail:** info@easternmetal.com **version:** 11/05/13

ROLL SHUTTER COMPONENTS: EMS Brand End Caps

7" SMALL LEG EMS Brand

HD 45° End Caps (sold by the pair)
 Hood Cut Size Deduction: 0.4375" or 7/16"

2007 Silver
 2007WH White
 2007IV Ivory
 2007MB Bronze
 2007BG Beige



8" SMALL LEG EMS Brand

HD 45° End Caps (sold by the pair)
 Hood Cut Size Deduction: 0.531" or 17/32"

2008 Silver
 2008WH White
 2008IV Ivory
 2008MB Bronze
 2008BG Beige



8" LARGE LEG EMS Brand

HD 45° End Caps (sold by the pair)
 • Hood Cut Size Deduction: 0.531" or 17/32"
 • 40mm ER 8" Large Leg Slat Deduction: 5.8125"
 • 55mm ER 8" Large Leg Slat Deduction: 5.5625"
 • 58mm ER 8" Large Leg Slat Deduction: 5.5625"

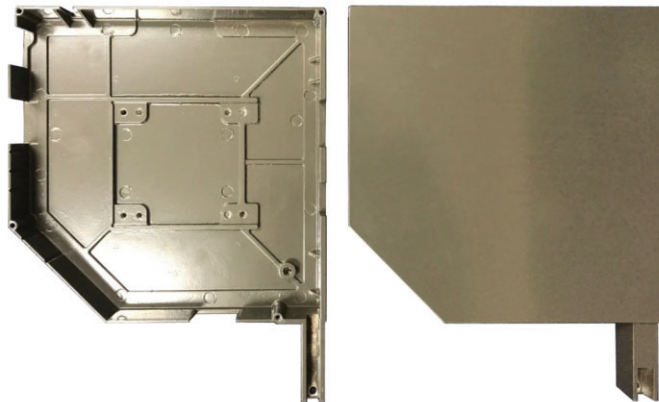
20081 Silver
 20081WH White
 20081IV Ivory
 20081MB Bronze
 20081BG Beige



10" LARGE LEG EMS Brand

HD 45° End Caps (sold by the pair)
 • Hood Cut Size Deduction: 0.531" or 17/32"
 • 40mm ER 8" Large Leg Slat Deduction: 5.8125"
 • 55mm ER 8" Large Leg Slat Deduction: 5.5625"
 • 58mm ER 8" Large Leg Slat Deduction: 5.5625"

20091 Silver
 20091WH White
 20091IV Ivory
 20091MB Bronze
 20091BG Beige



Hurricane 31



Eastern Metal Supply
 Quality Shapes In Aluminum

EMS FL
 1-800-432-2204
 (561) 588-4780 - fax

EMS NC
 1-800-343-8154
 (704) 391-2267 - fax

EMS TX
 1-800-996-6061
 (281) 656-2297 - fax

EMS MO
 1-888-822-6061
 (314) 344-3349 - fax

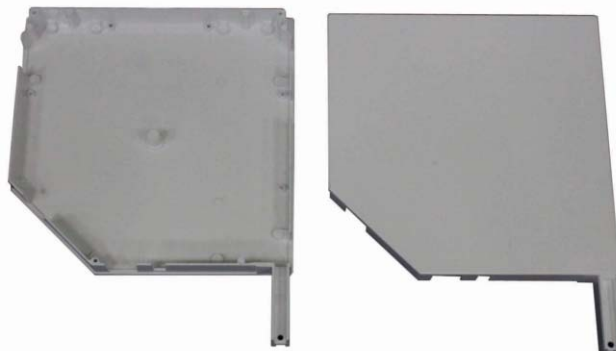
Additional Locations: West Palm Beach & Lakeland, FL; Newark, DE; Akron, OH, Van Buren, AR; Atlanta, GA and Dallas, TX
website: www.easternmetal.com **e-mail:** info@easternmetal.com **version:** 09/04/19

ROLL SHUTTER COMPONENTS: End Caps

45° End Caps: SMALL LEG (sold by the pair)

Colors Available: White: WH • Bronze: MB • Ivory: IV • Beige: BG

- | | |
|----------------------------|--------------------------|
| 5" End Cap 125 mm-powder | 2006315(color) |
| 5.5" End Cap 137 mm-powder | 2002765(color) |
| 6" End Cap 150 mm-powder | 2005472(color) |
| 6.5" End Cap 150 mm-powder | 2005327(color) |
| 7" End Cap 180 mm-powder | 6C81518M20(color) |
| 8" End Cap 205 mm-powder | 6C81520M20(color) |
| 10" End Cap 250 mm-powder | 2006459 Silver |
| 10" End Cap 250 mm-powder | 2006459(color) |



45° End Caps: LARGE LEG (sold by the pair)

Colors Available: White: WH • Bronze: MB • Ivory: IV • Beige: BG

- | | |
|---------------------------|-------------------------|
| 8" End Cap 205 mm-powder | 7008-592(color) |
| 10" End Cap 250 mm-powder | 6C8172520(color) |
| 12" End Cap 300 mm-powder | 6C8173020(color) |
| 10" HD 250MM END CAP KIT | 9018758 |
| 12" HD 300MM END CAP KIT | 9018759 |
| 14" HD 360MM END CAP KIT | 9018906 |



90° End Caps (sold by the pair)

Mill Finish

- | | |
|-------------|----------------|
| 7" End Cap | 2002721 |
| 8" End Cap | 2002731 |
| 10" End Cap | 2002741 |



ROLL SHUTTER COMPONENTS: Safety Plates

SAFETY PLATES (sold by the pair)

- | | |
|------------------------------------|-----------------|
| 180-45 hole 72 (7") use with 60mm | 7008-549 |
| 205-45 hole 72 (8") use with 60mm | 7008-551 |
| 205-45 hole 92 (8") use with 70mm | 7008-457 |
| 250-45 hole 92 (10") use with 70mm | 7008-245 |
| 300-45 hole 92 (12") use with 70mm | 7008-247 |



Hurricane 33



Eastern Metal Supply

Quality Shapes In Aluminum

EMS FL

1-800-432-2204
(561) 588-4780 - fax

EMS NC

1-800-343-8154
(704) 391-2267 - fax

EMS TX

1-800-996-6061
(281) 656-2297 - fax

EMS MO

1-888-822-6061
(314) 344-3349 - fax

Additional Locations: West Palm Beach & Lakeland, FL; Newark, DE and Birmingham, AL

website: www.easternmetal.com

e-mail: info@easternmetal.com

version: 09/12/14