

ACM & Channel Letter Coil - See Sheet & Plate section for full line of products



Aluminum Composite Material (ACM)

EMS UL Panels (.008 Skin Thickness; 55° Gloss)

	Size	Color
50-WW-396	3mm x 4' x 8'	White/White
50-BB-396	3mm x 4' x 8'	Black/Black
50-WP-396	3mm x 4' x 8'	White One Side
50-WBW-396	3mm x 4' x 8'	White/Bright White
50-WW-3120	3mm x 4' x 10'	White/White
50-WW-360120	3mm x 5' x 10'	White/White
50-WW-696	6mm x 4' x 8'	White/White
50-WW-6120	6mm x 4' x 10'	White/White

ECM Panels - Non-UL (.007 Skin Thickness)
(Bright White 90-95° Gloss; Black 50° Gloss)

50-ACP-200 (TX)	3mm x 4' x 8'	Bright White/Bright White
50-ACP-205 (TX)	3mm x 4' x 8'	Black/Black
50-ACP-210 (TX)	3mm x 4' x 8'	Bright White One Side
50-ACP-215 (TX)	3mm x 4' x 10'	Bright White/Bright White
50-ACP-225 (TX)	3mm x 5' x 10'	Bright White/Bright White

PolyMetal - UL Listed (.008 Skin Thickness; 55° Gloss)

50-PM-100	3mm x 4' x 8'	White/White
50-PM-105	3mm x 4' x 8'	Black/Black
50-PM-110	3mm x 4' x 8'	White One Side
50-PM-115	3mm x 4' x 10'	White/White
50-PM-120	3mm x 4' x 10'	Black/Black
50-PM-125	3mm x 5' x 10'	White/White

PolyMetal (con't)	Size	Color
50-PM-130	6mm x 4' x 8'	White/White
50-PM-135	6mm x 4' x 8'	Black/Black
50-PM-140	6mm x 4' x 10'	White/White

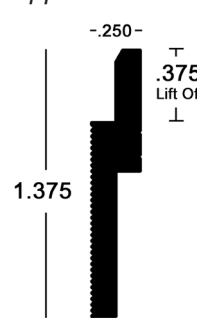
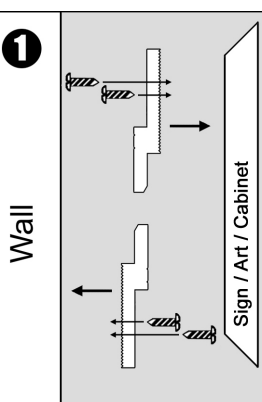
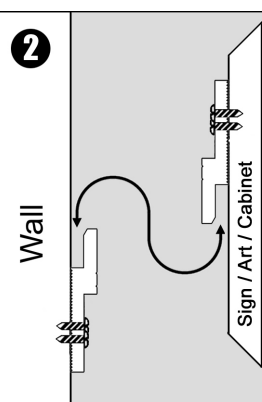
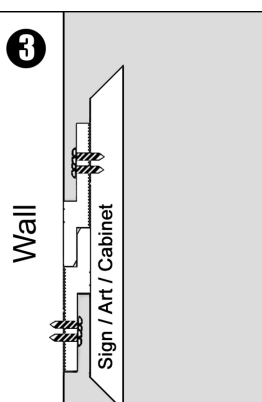
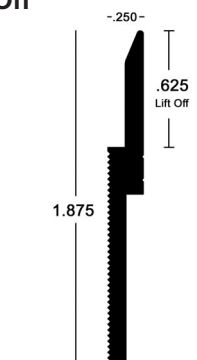
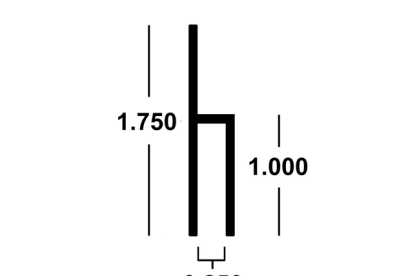
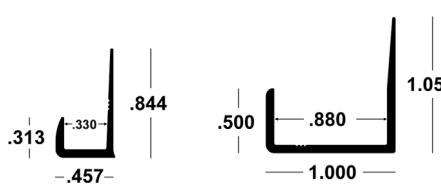
ValuMetal - Non-UL (.004 Skin Thickness; 55° Gloss)
50-VM-100 3mm x 4' x 8' White/White

Channel Letter Coil

PVC Mask One Side Coil In Stock (20" ID Coil)

Stock Code	Size in Inches
WHITE/WHITE	
49-WH-004	.040 x 5.50 (5.3") x 270'
BRONZE/WHITE	
49-DB-004	.040 x 5.50 (5.3") x 270'
RED/WHITE	
49-RD-004	.040 x 5.50 (5.3") x 270'
BLACK/WHITE	
49-BK-004	.040 x 5.50 (5.3") x 270'
49-BK-625	.040 x 5.50 (5.3") x 625' **CLOSEOUT**
MATTE BLACK/GLOSSWHITE	
49-MATBLK-004	.040 x 5.50 (5.3") x 270'
MATTE BLACK/MATTE BLACK	
49-MBK-001	.040 x 5.50 (5.3") x 270'
BRIGHT BRUSHED CLEAR	
50-CL-742C (NC)	.040 x 5.50 (5.3") x 270'
MILL FINISH (No PVC Mask)	
49-MF-007 (TX)	.063 x 2.00 x 270'
49-MF-005 (TX)	.063 x 3.00 x 270'
49-MF-006 (TX)	.063 x 3.50 x 270'
49-MF-008 (TX)	.063 x 4.00 x 270'
49-MF-009 (TX)	.063 x 6.00 x 270'

EZ Clips

<p>EZ Clip - 3/8" Lift Off Self Mating; Easily shipped in buckets</p> <p>40-63-008 144" No Holes 40-63-008-2 (TX) 2.000" 2 Holes 1000/bucket</p> <p>40-63-008-7 (TX) 7.625" 6 Holes 400/bucket</p> <p>40-63-008-13 (TX) 13.125" 10 Holes 250/bucket</p> 	<p>1</p>  <p>Wall</p> <p>Sign / Art / Cabinet</p>	<p>2</p>  <p>Wall</p> <p>Sign / Art / Cabinet</p>	<p>3</p>  <p>Wall</p> <p>Sign / Art / Cabinet</p>
<p>EZ Clip - 5/8" Lift Off Self Mating 40-63-007 (TX) 144" (no holes)</p> 	<p>1-3/4 H-Retainer x 16'6" 24-63-160 (NC/TX/MO) Accepts 1/4" Sign Faces</p> 	<p>J Molding Channel 6063 T6 M/F 52-63-12993 5/16" x 8"</p> <p>MILL ORDER 52-63-12994 7/8"</p> 	

Signage 11



EMS FL
1-800-432-2204
(561) 588-4780 - fax

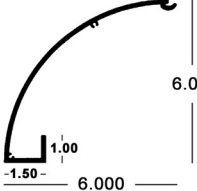
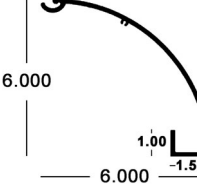
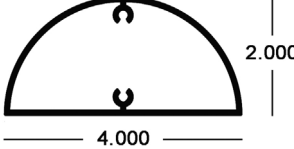
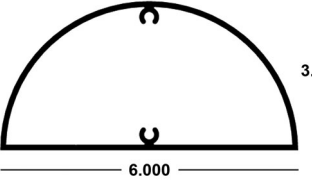
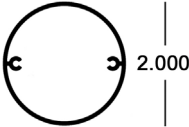
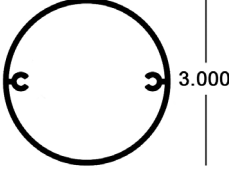
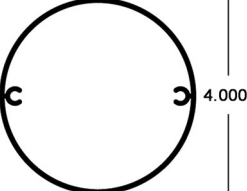

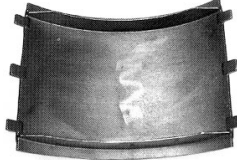
EMS NC
1-800-343-8154
(704) 391-2267 - fax

EMS TX
1-800-996-6061
(281) 656-2297 - fax

EMS MO
1-888-822-6061
(314) 344-3349 - fax

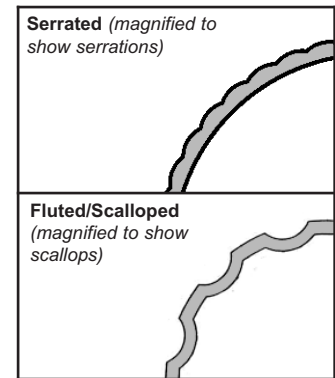
Eastern Metal Supply Additional Locations: West Palm Beach & Lakeland, FL; Newark, DE; Akron, OH, Van Buren, AR; Atlanta, GA and Dallas, TX
Quality Shapes In Aluminum [website: www.EasternMetal.com](http://www.EasternMetal.com) [e-mail: info@EasternMetal.com](mailto:info@EasternMetal.com) **version: 01/22/19**

Miscellaneous Signage

<p>12" Half Round Male x 16' 24-61-241 (NC/TX) mates with female side Wall Thickness: 0.140 6005-T6</p> 	<p>12" Half Round Female x 16' 24-61-242 (NC/TX) mates with male side Wall Thickness: 0.140 6005-T6</p> 	<p>4" x 2" x .083" Half Round x 24' 56-63-202 (FL) 6063 T6 M/F</p> 
<p>6" x 3" x .100" Half Round x 24' 56-63-205 (FL) 6063 T6 M/F</p> 	<p>2" Post MILL ORDER 052295 (FL)</p> 	<p>3" x .083" Post x 24' 56-63-201 (FL) 6063 T6 M/F</p> 
<p>4" x .093" Post x 24' 56-63-204 (FL) 6063 T6 M/F</p> 	<p>9" Radius Corner Retainer 21-00-905 (NC)</p> 	<p>9" Radius Corner 21-00-904 (NC/TX) For 12" Sign Frame</p> 

Serrated Tube

Stock Code	Description	Aprox. Wt/Lin ft.
52-63-537	.875 x .049 x 20' (0.777 ID) 6063-T6	0.142
51-63-381	1 x .049 x 20' (0.902 ID) 6063-T6	0.156
51-00-051	1.375 x .093 x 20' (1.188 ID) 6063-T5	0.408
17-63-149	3 x .074 x 24' (2.852 ID) 6063-T5	0.752
17-63-151	3 x .120 x 24' (2.760 ID) 6063-T5	1.201



Multiple Flute Designs are available; Please request prints

Fluted/Scalloped Round Tube

Multiple Flute Designs are available; Please request prints

MILL ORDER 52-63-6106	2.940 x .105	1.158
MILL ORDER 52-63-10152	3 x .062	0.732
17-61-715	3 x .125 x 15' (6061-T6)	1.259
17-63-300	3 x .125 x 24' (6063 T5)	1.259
17-61-324	3 x .125 x 24' (6061-T6)	1.259
17-63-310	4 x .125 x 24' (6063 T5)	2.009
MILL ORDER 17-61-315	4 x .188	2.898
MILL ORDER 17-63-429 (TX)	5 x .190	3.727



Elliptical Air Foil Tube

Elliptical Air Foil Tube (with Screw Bosses) See Architectural p 01 for Air Foil profiles

Stock Code	Description	Stock Code	Description
56-63-200	2-1/8" Air Foil x 16'	56-63-800	8" Air Foil x 24' (Wall: .110; 2 screw bosses)
56-63-400	4" Air Foil x 24' (Wall: .080)	MILL ORDER	8" Air Foil (Wall: .100; 4 screw bosses - 011494)
56-63-600	6" Air Foil x 24' (Wall: .085/.100)	MILL ORDER	8" Air Foil (8 screw bosses - FH03082 TX)
52-63-1020 (MO)	6" Air Foil x 24' (Wall: .085)	MILL ORDER	10" Air Foil (Wall: .125 - 56-63-1000)
MILL ORDER	7" Air Foil (52-63-12534)	MILL ORDER	12" Air Foil (Wall: .188 - 52-63-11852)

Signage 12



Eastern Metal Supply
 Quality Shapes In Aluminum

EMS FL

1-800-432-2204
 (561) 588-4780 - fax

EMS NC

1-800-343-8154
 (704) 391-2267 - fax

EMS TX

1-800-996-6061
 (281) 656-2297 - fax

EMS MO

1-888-822-6061
 (314) 344-3349 - fax

Additional Locations: West Palm Beach & Lakeland, FL; Newark, DE; Akron, OH, Van Buren, AR; Atlanta, GA and Dallas, TX

website: www.easternmetal.com

e-mail: info@easternmetal.com

version: 02/22/19