

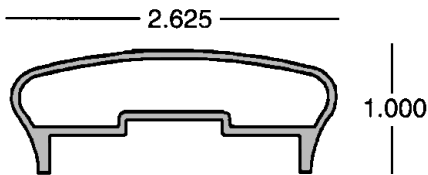


Welded Railing

2-5/8" Hollow Cap x 25' 10" - 129

28-63-210 wt/ft: 0.573

accepts 3/4" Picket with 2" Post; Mates w/#133



Accepts Castings:

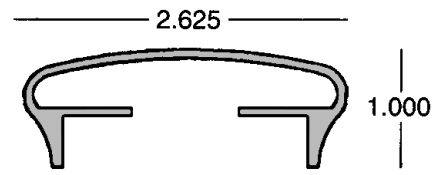
End Cap #28: 21-00-135

Wall Mount #52: 21-00-302

2-5/8" Solid Cap x 25' 10" - 130

28-63-200 wt/ft: 0.530

accepts 3/4" Picket w/2" Post; Mates w/#133



Accepts Castings:

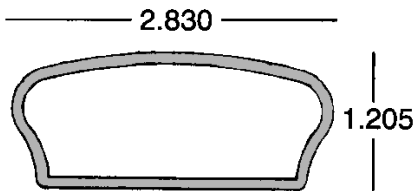
End Cap #28: 21-00-135

Wall Mount #52: 21-00-302

Outside Sleeve x 20' - 133

28-63-220 wt/ft: 0.732

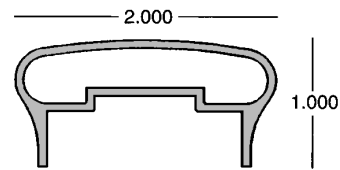
mates with #129 and #130



2" x 1" Hollow Cap x 20' - 131

28-63-275 wt/ft: 0.437

accepts 3/4" Picket with 1-1/2" Post



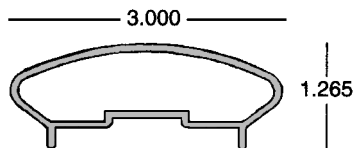
Accepts Castings:

End Cap #261: MILL ORDER - 21-00-330

Wall Mount #329: MILL ORDER

3" Oval Top Cap x 25' - 147

28-63-267 wt/ft: 0.635



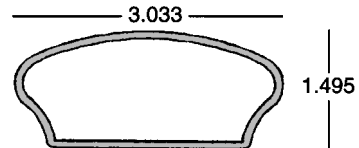
Accepts Castings:

Wall Mount: MILL ORDER: 21-00-19

Outside Sleeve for 3" Oval Top Cap 148

Mill Order **52-63-8767** wt/ft: 0.941

mates with #147



Fence & Railing 04



EMS FL

1-800-432-2204

(561) 588-4780 - fax

EMS NC

1-800-343-8154

(704) 391-2267 - fax

EMS TX

1-800-996-6061

(281) 656-2297 - fax

EMS MO

1-888-822-6061

(314) 344-3349 - fax

Eastern Metal Supply

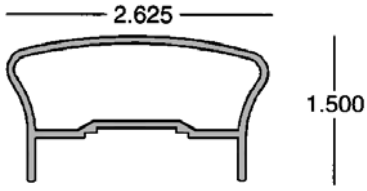

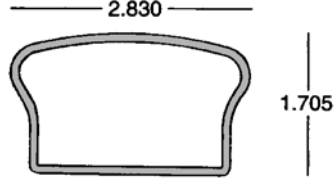
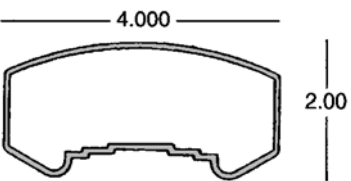
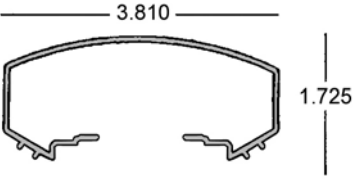
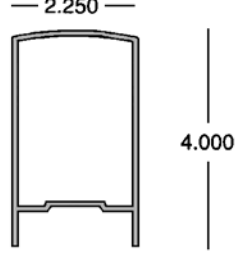
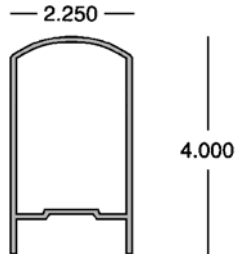
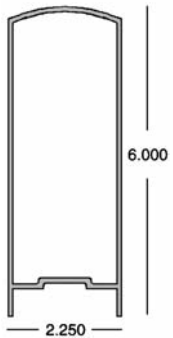
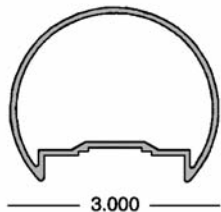
Quality Shapes In Aluminum

Additional Locations: West Palm Beach & Lakeland, FL; Newark, DE; Akron, OH, Van Buren, AR; Atlanta, GA and Dallas, TX

website: www.EasternMetal.com

e-mail: info@EasternMetal.com

version: 01/28/19

<p>2-5/8" Hollow Cap x 25' 10" 135 28-63-215 wt/ft: 0.670 accepts 3/4" and 1" Pickets with 2" Post; Mates w/ #136 and #137</p>  <p>Accepts Castings: End Cap #18: <u>21-00-140</u>, Flat End Cap #18F: <u>21-00-140F</u>; 5052 Flat End Cap: <u>21-5052-140</u> Wall Mount #271: <u>21-00-160</u></p>	<p>2-5/8" Inner Splice x 10' 136 28-63-208 wt/ft: 0.344 mates with #135 (28-63-215)</p> 	<p>2-5/8" Outside Sleeve x 20' 137 28-63-225 wt/ft: 0.840 mates with #135 (28-63-215)</p> 
<p>4 x 2 Oval Top Cap x 24' - 152 28-63-285 wt/ft: 1.172 accepts 3/4" Picket ; accepts 1-1/2" and 2" Post</p>  <p>Accepts Castings: End Cap #167: MILL ORDER - <u>21-00-313</u> Wall Mount #680: MILL ORDER - <u>21-00-680</u></p>	<p>4 x 2 Inner Splice x 12' 52-63-13204 wt/ft: 0.655 mates with #152 (28-63-285)</p> 	<p>Top Cap x 24' - 139 28-63-255 wt/ft: 1.477 (less radius) accepts 3/4" Picket with 2" Post</p>  <p>Accepts Castings: End Cap #14: 21-00-146 Wall Mount #24: <u>21-00-165</u></p>
<p>Top Cap x 24' - 140 28-63-256 wt/ft: 1.274 (more radius) accepts 3/4" Picket with 2" Post</p>  <p>Accepts Castings: End Cap #70: <u>21-00-145</u> Wall Mount #190W: <u>21-00-190W</u></p>	<p>Top Cap x 24' - 144 MILL ORDER 28-63-260 wt/ft: 1.740 accepts 3/4" Picket & 2" Post</p> 	<p>3" Round Top Cap x 24' - 149 28-63-265 wt/ft: 1.001 accepts 3/4" and 1" Pickets & 2" Post; mates with #150 and #151</p>  <p>Accepts Castings: End Cap #97 <u>21-00-120</u>, 5052 Flat End Cap: <u>21-5052-120</u> Wall Mount #185: 21-00-1850</p>

Fence & Railing 05



Eastern Metal Supply

Quality Shapes In Aluminum

EMS FL

1-800-432-2204

(561) 588-4780 - fax

EMS NC

1-800-343-8154

(704) 391-2267 - fax

EMS TX

1-800-996-6061

(281) 656-2297 - fax

EMS MO

1-888-822-6061

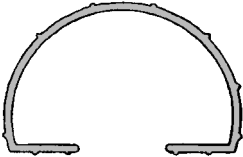
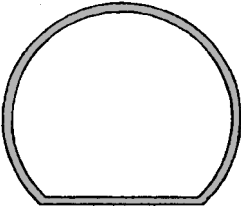
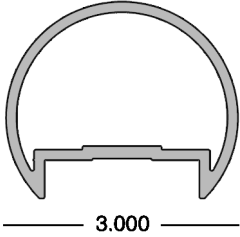
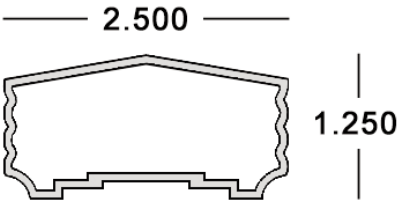
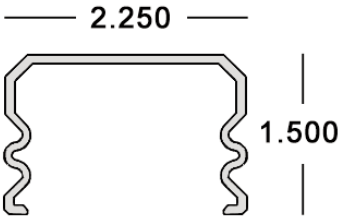
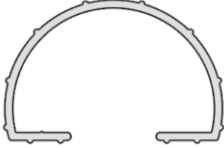
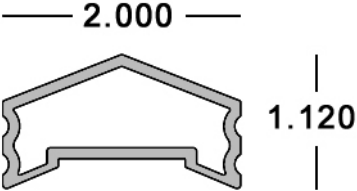
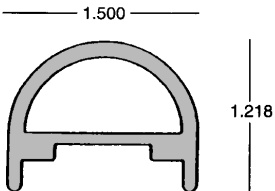
(314) 344-3349 - fax

Additional Locations: West Palm Beach & Lakeland, FL; Newark, DE; Birmingham, AL; Akron, OH

website: www.EasternMetal.com

e-mail: info@EasternMetal.com

version: 08/16/17

<p>Inside Sleeve x 10' - 150 40-63-701 wt/ft: 0.718 <i>mates with #149</i></p> 	<p>Outside Sleeve x 10' - 151 28-63-263 wt/ft: 1.042 <i>mates with #149</i></p> 	<p>3" Round Top Cap - Heavy Wall MILL ORDER - 52-63-12353 wt/ft: 1.489 <i>accepts 3/4" Picket & 2" Post; mates with 52-63-12354</i></p>  <p style="text-align: center;">3.000</p> <p>Accepts Castings: End Cap #97 <u>21-00-120</u>, 5052 Flat End Cap: <u>21-5052-120</u> Wall Mount #185: 21-00-1850</p>
<p>2-1/2" Colonial Top Rail x 20' 28-63-063 (DE) wt/ft: 0.600 (Wood Style) <i>Accepts 3/4" Picket</i></p> 	<p>2-1/4" Colonial Bottom Channel x 20' 28-63-062 (DE) wt/ft: 0.557 (Wood Style)</p> 	<p>Inside Sleeve for 3" Round Top Cap MILL ORDER 52-63-12354 wt/ft: 0.690 <i>mates with MILL ORDER 52-63-12353</i></p> 
<p>2" x 1-1/8" Colonial Top Rail MILL ORDER - 7849-10 (NC) wt/ft: 0.584 (Wood Style) <i>Accepts 1" Picket</i></p> 	<p>Handicap Grip Rail x 20' - 132 52-63-1641 wt/ft: 0.665 <i>accepts 3/4" Picket with 1-1/4" Post</i></p>  <p>Accepts Castings: End Cap #294 <u>21-00-294</u></p>	

Fence & Railing 06



Eastern Metal Supply
Quality Shapes In Aluminum

EMS FL
1-800-432-2204

(561) 588-4780 - fax

EMS NC
1-800-343-8154

(704) 391-2267 - fax

EMS TX
1-800-996-6061

(281) 656-2297 - fax

EMS MO
1-888-822-6061

(314) 344-3349 - fax

Additional Locations: West Palm Beach & Lakeland, FL; Newark, DE; Akron, OH, Van Buren, AR; Atlanta, GA and Dallas, TX

website: www.EasternMetal.com

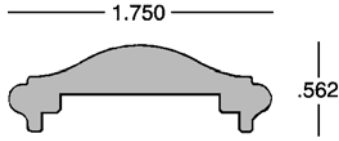
e-mail: info@EasternMetal.com

version: 01/18/19

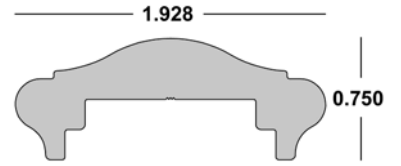
Welded Railing: Dixie Caps



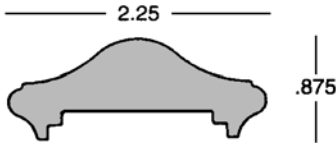
Dixie Cap x 20' - 154
 28-63-100 wt/ft: 0.516
 accepts 1" & 1-1/4" Channels



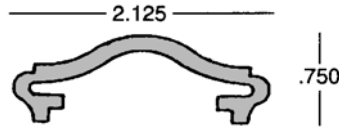
Dixie Cap x 20'
 28-63-103 wt/ft: 0.786
 accepts 1" & 1-1/4" Channel



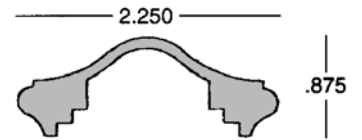
Dixie Cap x 20' - 158
 28-63-230 wt/ft: 1.180
 accepts 1-1/4" & 1-1/2" Channels



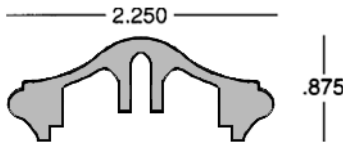
Dixie Cap x 20' - 155
 28-63-105 wt/ft: 0.413
 accepts 1-1/2" Channel



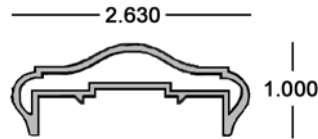
Dixie Cap x 20' - 156
 28-63-110 wt/ft: 0.668
 accepts 1", 1-1/4" & 1-1/2" Channel



2-1/4" Dixie Cap x 20'
 28-63-111 wt/ft: 0.722
 with screw boss; accepts 1-1/2" Channel

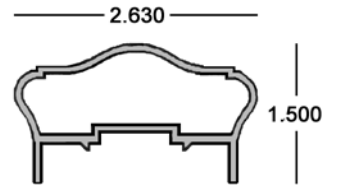


2-5/8" x 1" Hollow Dixie Cap x 25' 10"
 28-63-290 wt/ft: 0.558
 accepts 3/4" & 1" Pickets; 2 x 7/16" Channel; 2" Post
 mates with 28-63-291



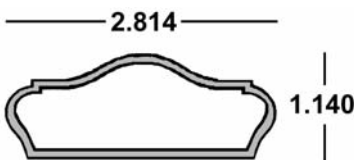
Accepts Castings:
 End Cap #RW-29: 21-00-235
 Wall Mount #RW-29: 21-00-230

2-5/8" x 1-1/2" Hollow Dixie Cap x 25' 10"
 28-63-295 wt/ft: 0.569
 accepts 3/4" & 1" Pickets; 2 x 7/16" Channel; 2" Post; mates with 28-63-296

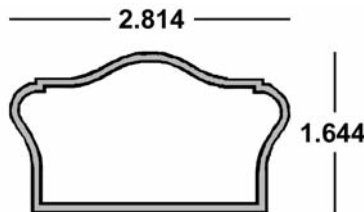


Accepts Castings:
 End Cap #RW-30: 21-00-245
 Wall Mount #RW-30: 21-00-240

Outside Sleeve x 20'
 28-63-291 wt/ft: 0.500
 mates with 28-63-290



Outside Sleeve x 20'
 28-63-296 wt/ft: 0.571
 mates with 28-63-295



Fence & Railing 07



EMS FL
 1-800-432-2204
 (561) 588-4780 - fax

EMS NC
 1-800-343-8154
 (704) 391-2267 - fax

EMS TX
 1-800-996-6061
 (281) 656-2297 - fax

EMS MO
 1-888-822-6061
 (314) 344-3349 - fax

Eastern Metal Supply
 Quality Shapes In Aluminum

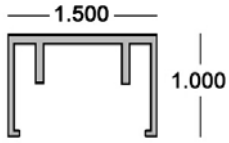
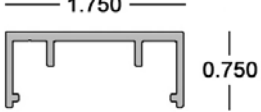
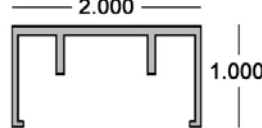
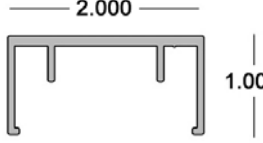
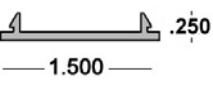
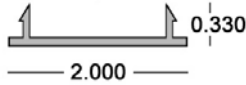
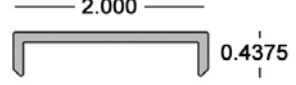
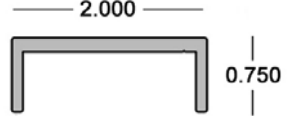
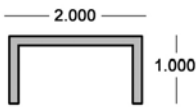
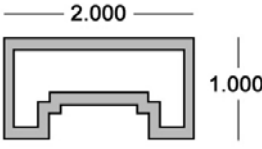
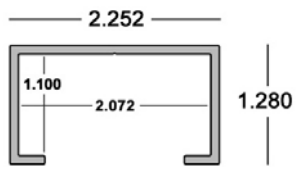
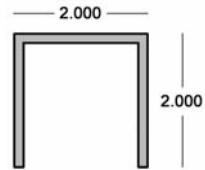
Additional Locations: West Palm Beach & Lakeland, FL; Newark, DE and Birmingham, AL

website: www.EasternMetal.com

e-mail: info@EasternMetal.com

version: 03/10/17

Railing Channel

<p>1.5 x 1 (.093/.056) Railing Channel x 25' 13-63-300 wt/ft: 0.332 6063-T5 Receives .750 picket; Mates with 13-63-305</p>  <p>Accepts Casting: Wall Mount HR-12A #68: 21-00-183</p>	<p>1.75 x .75 (.093/.062) Railing Channel x 24' 13-63-264 wt/ft: 0.330 6063-T5 Receives .750 picket;</p> 	<p>2 x 1 (.093/.056) Railing Channel x 25' 13-63-266 wt/ft: 0.395 6063-T5 Receives .750 picket; Mates with 13-63-227</p> 	<p>2 x 1 (.090/.056) Railing Channel x 25' 13-63-267 wt/ft: 0.395 6063-T5 Receives 1" picket; Mates with 13-63-227</p>  <p>Accepts Casting: Wall Mount #15: 21-00-190</p>
<p>1.5" Railing Channel Cover Plate x 20' 13-63-305 wt/ft: 0.146 6063-T5 Mates with 13-63-300</p> 	<p>2" Railing Channel Cover Plate x 16' 13-63-227 wt/ft: 0.175 6063-T5 Mates with 13-63-266 & 13-63-267</p> 	<p>2 x 7/16 x .093 Railing Channel x 25' 2" 13-63-261 wt/ft: 0.294 6063-T5 No Legs</p> 	<p>2 x .75 (.125/.093) Railing Channel x 23' 10" 13-63-262 wt/ft: 0.440 6063-T5 No Legs</p> 
<p>2 x 1 x .125 Channel 13-63-265 x 20' 13-63-274 x 24' wt/ft: 0.563 6063-T5</p> 	<p>2 x 1 Mid Rail Tube x 24' 52-63-11317 wt/ft: 0.858 6063-T52</p>  <p>Accepts Casting: Wall Mount #15: 21-00-190</p>	<p>2.252 x 1.280 Outside Sleeve x 12' 52-63-4808 wt/ft: 0.562 6063-T6 Sleeves 2 x 1 Channel and Rectangular Tube</p> 	<p>2 x 2 x .125 Channel x 20' 13-63-272 wt/ft: 0.861 6063-T5</p> 

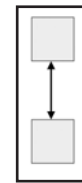
Pre-Punched Railing Channel

Mill Finish 6063-T5 Arch Aluminum Channel - Spacing is inside edge to inside edge

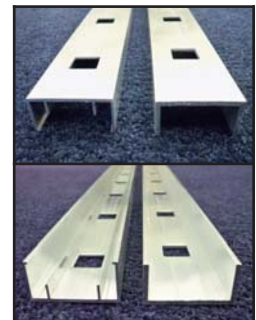
Stock Code	Size in Inches	Picket	between Holes
13-63-265P	2 x 1 x .125 x 20'	3/4"	3.75"
13-63-266P*	2 x 1 x .093/.056 x 25'	3/4"	3.75"
13-63-274PP	2 x 1 x .125 x 24'	1"	3.75"
13-63-267P*	2 x 1 x .090/.056 x 25'	1"	3.75"
13-63-267PS*	2 x 1 x .093/.056 x 25'	1"	3.25"

*with welding legs

Custom sizes and hole locations available as **SPECIAL ORDER**



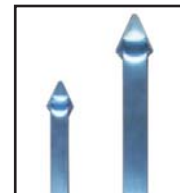
Spacing is inside edge to inside edge



Punched Picket Spears

19-63-105PS1	3/4 x .062 x 58"
19-63-105PS2	3/4 x .062 x 70"
19-63-130PS1	1 x .060 x 58"
19-63-130PS2	1 x .062 x 70"

3/4" & 1" Spears



Mill Order Items:
Not in Stock - Custom Sizes & Lengths Available
Minimum Order Required

Fence & Railing 08



Eastern Metal Supply

Quality Shapes In Aluminum

EMS FL

1-800-432-2204

(561) 588-4780 - fax

EMS NC

1-800-343-8154

(704) 391-2267 - fax

EMS TX

1-800-996-6061

(281) 656-2297 - fax

EMS MO

1-888-822-6061

(314) 344-3349 - fax

Additional Locations: West Palm Beach & Lakeland, FL; Newark, DE and Birmingham, AL

website: www.EasternMetal.com

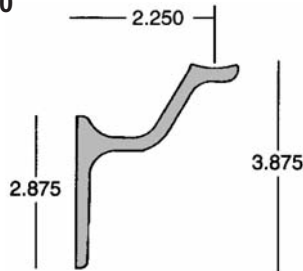
e-mail: info@EasternMetal.com

version: 08/01/16

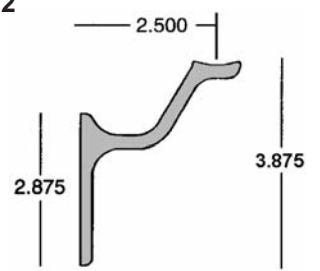
Pipe Brackets



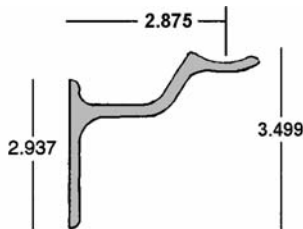
**2-1/4" x 3-7/8" Centerline
Projected Pipe Bracket x 16'**
31-63-135 **163**
wt/ft: 1.940



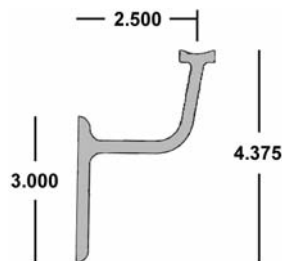
**2-1/2" x 3-7/8" Centerline
Projected Pipe Bracket x 16'**
31-63-120 **162**
wt/ft: 2.012



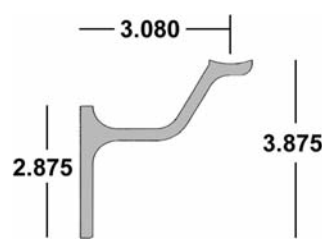
**2-7/8" x 3-1/2" Centerline
Projected Pipe Bracket x 16'**
31-63-105 **160**
wt/ft: 1.853



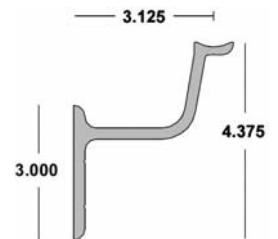
**2-1/2" x 4-3/8" Centerline
Projected Pipe Bracket x 16'**
31-63-140 **164**
wt/ft: 2.154



**2-7/8" x 3-7/8" Centerline
Projected Pipe Bracket x 16'**
31-61-145 **165**
wt/ft: 2.1815



**3-1/8" x 4.409" Centerline
Projected Pipe Bracket x 12'**
31-61-150 wt/ft: 2.264
Meets NFPA 101 Life Safety Code



Mark 5 Gate Hinge
52-63-8793
*(Heavy Duty)
with base plate*

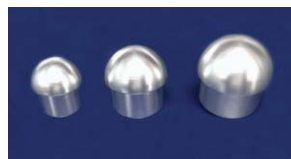


Mark 4 Gate Hinge
52-63-9150
*(Heavy Duty)
without base plate*



SCH 40 Aluminum Pipe End Caps

Mill Finish	Pipe Size
APC-100-MF	1
APC-125-MF	1-1/4
APC-150-MF	1-1/2
APC-200-MF	2
Anodized	
APC-750	3/4
APC-100	1
APC-125	1-1/4
APC-150	1-1/2
APC-200	2
Black Plastic	
RN1-1/4DBK1	1



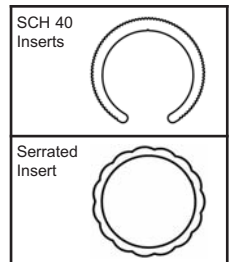
SCH 40 Pipe x 24' - T4 Temper (for bending)

Stock Code	Size in Inches
18-63-231	1-1/4 x 1.660 OD x 1.380 ID x .140 Wall
18-T4-500	1-1/2 x 1.900 OD x 1.610 ID x .145 Wall

*Many other Pipe sizes, Alloys
& Temper are Available*

Pipe Inserts (6063-T52)

18-63-259	1-1/4	SCH 40 x 10'
18-63-260	1-1/2	SCH 40 x 10'
51-00-051	1-3/8	Serrated Tube x 20' (insert for 1-1/4 pipe)



Fence & Railing 09



Eastern Metal Supply
Quality Shapes In Aluminum

EMS FL

1-800-432-2204
(561) 588-4780 - fax

EMS NC

1-800-343-8154
(704) 391-2267 - fax

EMS TX

1-800-996-6061
(281) 656-2297 - fax

EMS MO

1-888-822-6061
(314) 344-3349 - fax

Additional Locations: West Palm Beach & Lakeland, FL; Newark, DE and Birmingham, AL

website: www.EasternMetal.com **e-mail:** info@EasternMetal.com **version:** 03/10/17