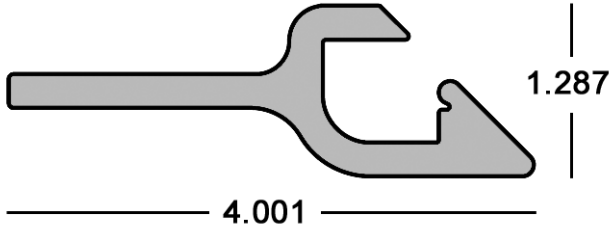


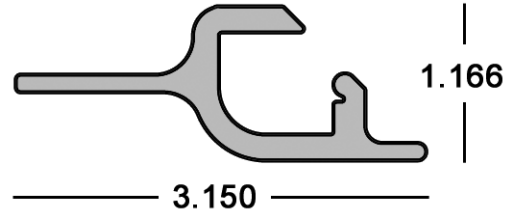
Eastern Metal Supply

Oil Containment Boom Connectors

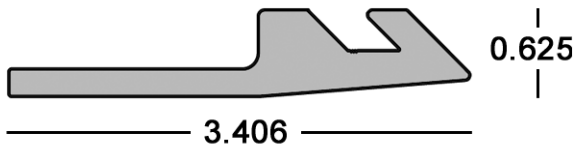
Bulk Universal Slide Connector x 24' 3"
52-61-3902 6061-T6



Mini Universal Slide Connector
 MILL ORDER 52-61-3715



Connector
 MILL ORDER 52-61-664



6061-T6 Rectangular Aluminum Bar x 12'

Fabrication options are available

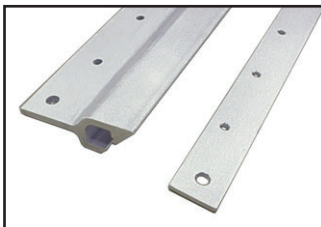
<u>Stock Code</u>	<u>Size in Inches</u>	<u>Wt/Lin ft.</u>
10-61-275	3/16 x 1-1/2	0.338
10-61-285	3/16 x 2	0.451
10-61-335	1/4 x 1-1/2	0.450
10-61-340	1/4 x 2	0.600



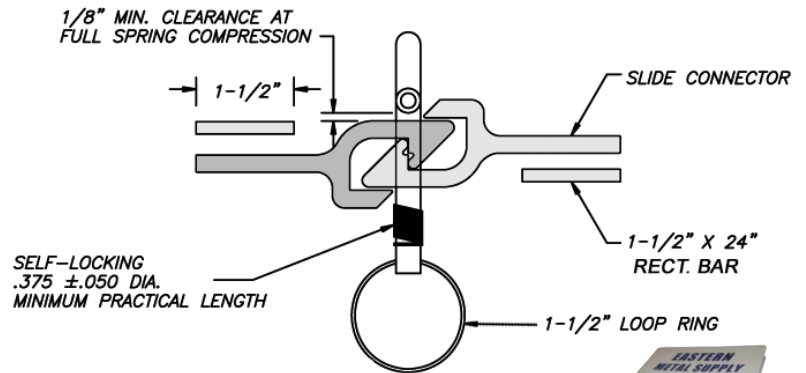
Pre-Fabricated Pieces

Fabricated Bulk Universal Slide Connector x 24"
 MILL ORDER 25-61-500F (TX)

3/16" x 1-1/2" Fabricated Flat Bar x 24"
 MILL ORDER 25-61-501F (TX)



Assembly Drawing



View our online catalog:
www.EasternMetal.com

Standard and Custom Aluminum Extrusions and Custom Fabrication options are also available



Eastern Metal Supply
 Quality Shapes In Aluminum

EMS FL
 1-800-432-2204
 (561) 588-4780 - fax

EMS NC
 1-800-343-8154
 (704) 391-2267 - fax

EMS TX
 1-800-996-6061
 (281) 656-2297 - fax

EMS MO
 1-888-822-6061
 (314) 344-3349 - fax

Additional Locations: West Palm Beach & Lakeland, FL; Newark, DE; Akron, OH, Van Buren, AR; Atlanta, GA and Dallas, TX

website: www.easternmetal.com

e-mail: info@easternmetal.com

Oil_Boom 05/23/17