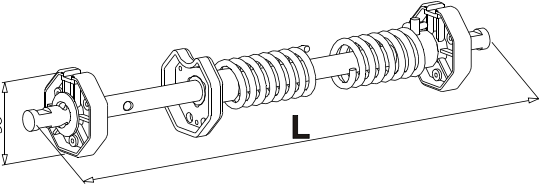
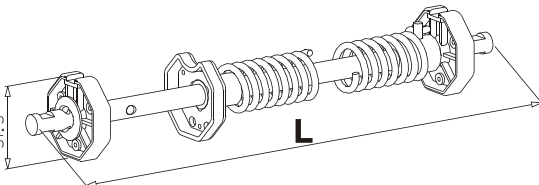
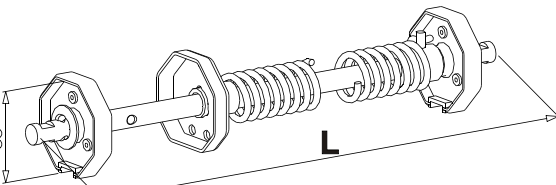
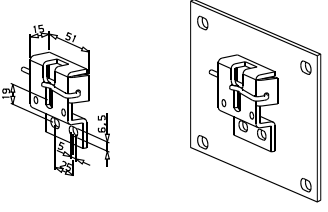




Manual Accessories

Rolling Shutter System

Balance Springs and Supports

Item	Reference	Description
	<p>2002314</p>	<p>Balance spring 60mm</p> <ul style="list-style-type: none"> - Nylon idle bearings - Zinc plated steel drive - Torque 44 lbs. - Max. rotations 9 - Length 770mm <p>- All dimensions are in millimeters. - Above load data is based on 60mm roller tube.</p>
	<p>2002369</p>	<p>Balance spring 60mm</p> <ul style="list-style-type: none"> - Nylon idle bearings - Zinc plated steel drive - Torque 44 lbs. - Max. rotations 9 - Length 770mm <p>- All dimensions are in millimeters. - Above load data is based on 60mm roller tube.</p>
	<p>2002372</p>	<p>Balance spring 70mm</p> <ul style="list-style-type: none"> - Nylon idle bearings - Zinc plated steel drive - Torque 66 lbs. - Max. rotations 11 - Length 1010mm <p>- All dimensions are in millimeters. - Above load data is based on 70mm roller tube.</p>
	<p>2003617</p> <p>2003638</p>	<p>Spring and Idle Supports</p> <p>Support for balance springs: 2002314, 2002369, 2002372 Support for idle inserts: 2003583, 2003592, 2003560</p> <ul style="list-style-type: none"> - Galvanize Plating <p>Same as above with a 100x100mm mounted plate</p> <ul style="list-style-type: none"> - Zinc Plated



Manual Accessories Shutter System Idle and Gear Inserts

Item	Reference	Description
	<p>2003583</p>	<p>60mm Idle Insert - Black nylon rings</p>
	<p>2002376</p>	<p>60mm Gear Insert - 10mm output shaft - Black Zinc Plating</p>
	<p>2003592</p>	<p>60mm Idle Insert - Gray nylon rings</p>
	<p>2002374</p>	<p>70mm Gear Insert - 10mm output shaft - Black Zinc Plating</p>
	<p>2003560</p>	<p>70mm Idle Insert - Black nylon rings</p>
	<p>2003617 2003638</p>	<p>Spring and Idle Supports - Support for balance springs: 2002314, 2002369, 2002372 - Support for idle inserts: 2003583, 2003592, 2003560 Galvanize Plating - Same as above with a 100x100mm mounted plate, Zinc Plated</p>



Manual Accessories Shutter System Idle and Gear Inserts

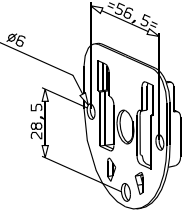
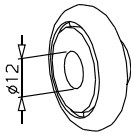
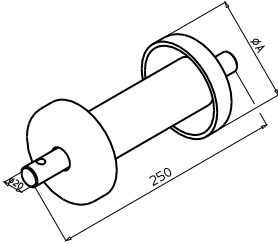

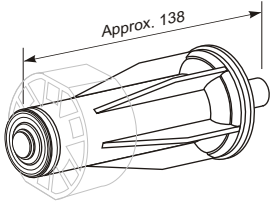
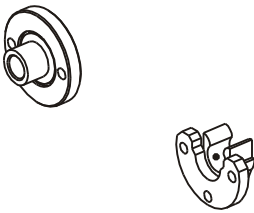
Item	Reference	Description
	<p>2003534 2003467</p>	<p>60mm Gear Insert - 13mm square input</p> <ul style="list-style-type: none"> - Black composite - Cast aluminum
	<p>2003535</p>	<p>60mm Idle Insert</p> <ul style="list-style-type: none"> - 12mm zinc plated steel output shaft - Black composite
	<p>2003389 2005465</p>	<p>60mm Adjustable Idle Insert - 12mm zinc plated steel output shaft</p> <ul style="list-style-type: none"> - Black composite - Cast aluminum
	<p>2003468</p>	<p>70mm Gear Insert</p> <ul style="list-style-type: none"> - 13mm square input - Cast aluminum
	<p>2003470</p>	<p>70mm Idle Insert</p> <ul style="list-style-type: none"> - 12mm zinc plated steel output shaft - Cast aluminum
	<p>2003390 2003471</p>	<p>70mm Adjustable Idle Insert - 12mm zinc plated steel output shaft</p> <ul style="list-style-type: none"> - Black composite - Cast aluminum



Manual Accessories

Shade / Shutter / Door Systems

Miscellaneous

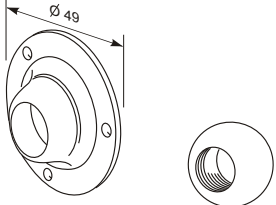
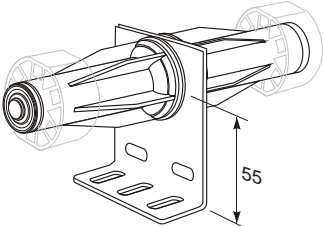
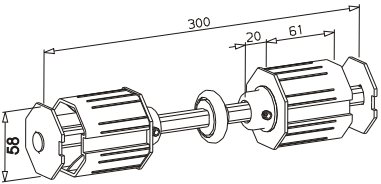
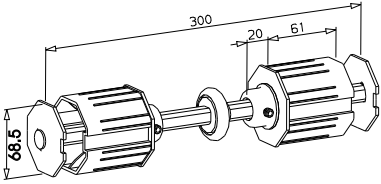
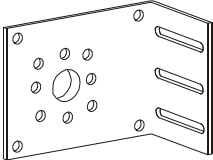
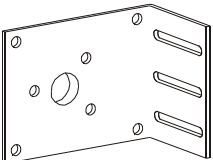
Item	Reference	Description
	<p>2003442</p> <p>2002644</p>	<p>Idle Support</p> <ul style="list-style-type: none"> - Fits 42mm bearings: 2003448 and 2003447 - Galvanized steel - Same as above on a 100mm x 100mm plate
	<p>2003448</p> <p>2003447</p>	<p>Idle Bearings</p> <ul style="list-style-type: none"> - 42mm bearing, 12mm center hole, nylon bushing - 42mm bearing, 12mm center hole, steel bushing
	<p>9542008</p> <p>9542009</p> <p>9542012</p>	<p>Heavy Duty Steel Idler</p> <ul style="list-style-type: none"> - 94mm OD - 97mm OD - 124mm OD - Sealed Bearings - Painted Steel
	<p>2003939</p>	<p>Idle Insert for Shades</p> <ul style="list-style-type: none"> - 50mm idle insert with a 10 mm fixed pin - Use only with 2003600 or 2003599 - Cast aluminum
	<p>9420800</p> <p>9420801</p>	<p>Adjustable Idle Insert for Shades</p> <ul style="list-style-type: none"> - 50mm idle insert with a 10mm spring loaded shaft - 50mm idle insert with a 12mm spring loaded shaft
	<p>2003600</p> <p>2003599</p>	<p>Idle Insert Bearings</p> <ul style="list-style-type: none"> - Steel bearing for idle insert: 2003939 - Nylon U bearing for idle insert: 2003939 or 9420800



Manual Accessories

Shade / Shutter System

Miscellaneous

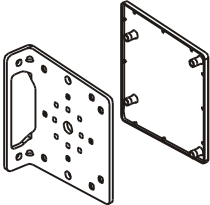
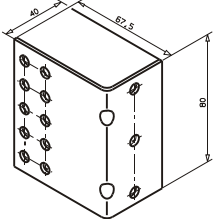
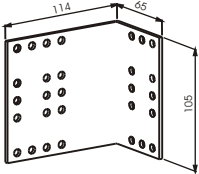
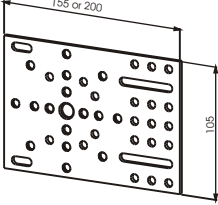
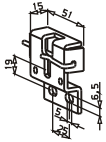
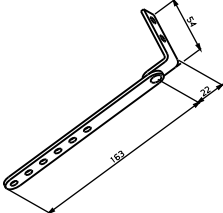
Item	Reference	Description
	<p>1781030</p> <p>9410803</p> <p>9028665</p>	<p>Shade Idle Support</p> <ul style="list-style-type: none"> - Ball support, Zinc Plated Steel - Nylon ball, 10mm hole Use with idle insert: 9420800 - Nylon ball, 12mm hole Use with idle insert: 9420801
	<p>2005700</p>	<p>Shade Double Reel Insert</p> <ul style="list-style-type: none"> - 2 inch double shade insert
	<p>2003391</p> <p>2005466</p>	<p>Shutter Double Reel Insert</p> <ul style="list-style-type: none"> - 60mm double shutter insert, black composite - 60mm double shutter insert, cast aluminum
	<p>2003392</p> <p>2005467</p>	<p>Shutter Double Reel Insert</p> <ul style="list-style-type: none"> - 70mm double shutter insert, black composite - 70mm double shutter insert, cast aluminum
	<p>2003643</p>	<p>Shade Bracket</p> <ul style="list-style-type: none"> - Motor side shade bracket, Black Zinc - For use with Type 5 motors
	<p>2005609</p>	<p>Shade Bracket</p> <ul style="list-style-type: none"> - Idle side shade bracket, Black Zinc - For use with idle support with ball: 9410803 and 9028665



Manual Accessories

Shade / Shutter System

Miscellaneous

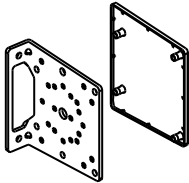
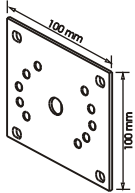
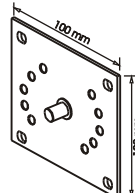
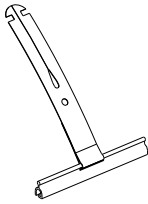
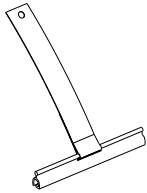
Item	Reference	Description
	<p>2003677</p> <p>2003683</p> <p>2003684</p>	<p>Shade Bracket, Aluminum</p> <p>White bracket cover</p> <p>Gray bracket cover</p>
	<p>2003622</p>	<p>Shutter Bracket</p> <ul style="list-style-type: none"> - Small wall angle bracket - For use with wall plate: 2003611 or 2003612 - Galvanized
	<p>2003623</p>	<p>Heavy Duty Shutter Bracket</p> <ul style="list-style-type: none"> - Large wall angle bracket - For use with wall plate: 2003611 or 2003612 - Galvanized
	<p>2003611</p> <p>2003612</p>	<p>Wall Bracket Extension Plate</p> <ul style="list-style-type: none"> - Small extension plate, use with 2003622 or 2003623 - Large extension plate, use only with 2003623 - Both plates are Galvanized
	<p>2003617</p>	<p>Idle / Spring Support</p> <ul style="list-style-type: none"> - Support for extension plates: 2003611 or 2003612 - Galvanized
	<p>2003616</p>	<p>Idle Insert Bearings</p> <ul style="list-style-type: none"> - Upper support for extension plates: 2003611 or 2003612



Manual Accessories

Shade / Shutter System

Miscellaneous

Item	Reference	Description
	<p>2003677</p> <p>2003683</p> <p>2003684</p>	<p>Gear Shade Bracket, Aluminum</p> <p>White bracket cover</p> <p>Gray bracket cover</p>
	<p>9850198</p>	<p>Shutter Gear Plate</p> <ul style="list-style-type: none"> - 100x100mm side frame plate, no center pivot pin - For use with 1424 series gears - Zinc Plated
	<p>2003639</p>	<p>Shutter Gear Plate</p> <ul style="list-style-type: none"> - 100x100mm side frame plate, with center pivot pin - For use with 1424 series gears - Zinc Plated
	<p>2003352</p> <p>2003354</p> <p>2003358</p>	<p>Slat Hanger Clip Attachment</p> <ul style="list-style-type: none"> - L=130mm - mini - L=170mm - mini - L=190mm - maxi
	<p>2003361</p> <p>2003362</p> <p>2003349</p>	<p>Slat Hanger Screw Attachment</p> <ul style="list-style-type: none"> - L=130mm - mini - L=170mm - mini - L=190mm - maxi